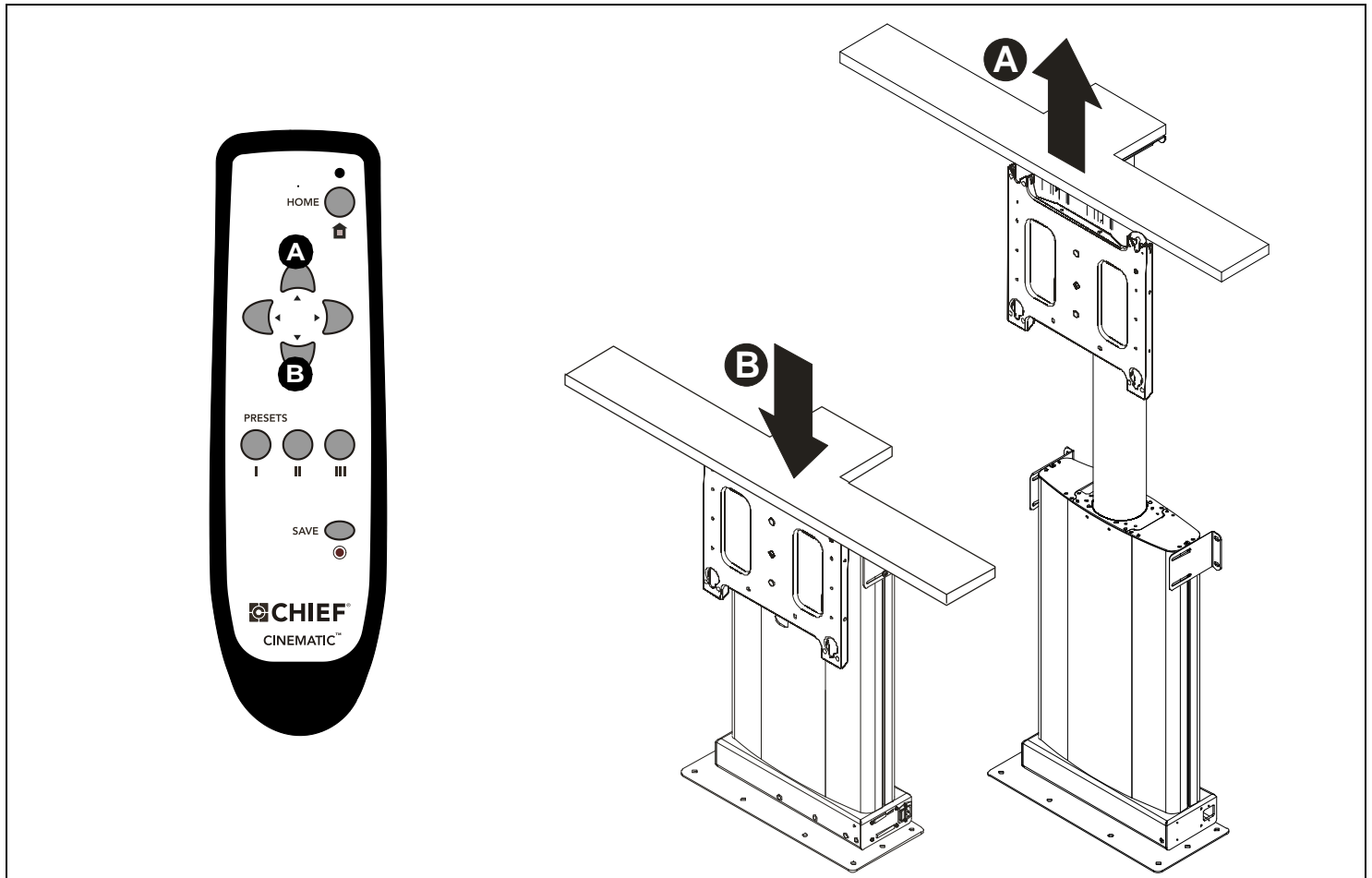


OPERATING INSTRUCTIONS

MODEL: CM2 Automated Display Lift



OPERATION:

WARNING: IMPROPER USE CAN LEAD TO EQUIPMENT FAILURE CAUSING SERIOUS PERSONAL INJURY AND DAMAGE TO EQUIPMENT! There are NO user servicable parts within the CM2 lift. If lift fails to operate properly immediately contact a Chief Customer Services Representative by calling 1-800-582-6480.

CAUTION: ONE END OF POWER CORD MUST REMAIN ACCESSIBLE AT ALL TIMES! DO NOT block or impede access to plug at any time!

1. Press button **A** on remote to raise the move the display.
2. Press button **B** on remote to lower the display.

CSAV, Inc., and its affiliated corporations and subsidiaries (collectively, "CSAV"), intend to make this manual accurate and complete. However, CSAV makes no claim that the information contained herein covers all details, conditions or variations, nor does it provide for every possible contingency in connection with the installation or use of this product. The information contained in this document is subject to change without notice or obligation of any kind. CSAV makes no representation of warranty, expressed or implied, regarding the information contained herein. CSAV assumes no responsibility for accuracy, completeness or sufficiency of the information contained in this document.

