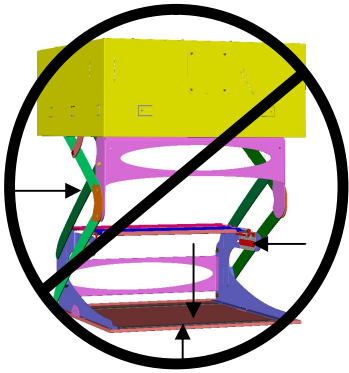


**WARNING:**

**AVOID DAMAGE TO THE LIFT ARMS OF THIS UNIT!**

This unit is designed to support a maximum weight of 35 pounds. Excessive weight or binding will cause damage that **may void warranty**. Do not push, pull, or lean on the bottom tray or lift arms of this unit. Be aware of routing for all wiring. Avoid pinch points.

8700-000040

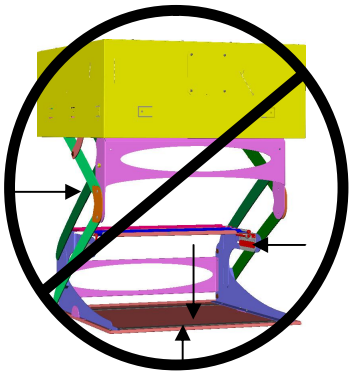


**WARNING:**

**AVOID DAMAGE TO THE LIFT ARMS OF THIS UNIT!**

This unit is designed to support a maximum weight of 35 pounds. Excessive weight or binding will cause damage that **may void warranty**. Do not push, pull, or lean on the bottom tray or lift arms of this unit. Be aware of routing for all wiring. Avoid pinch points.

8700-000040

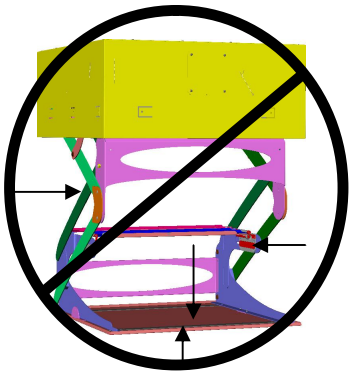


**WARNING:**

**AVOID DAMAGE TO THE LIFT ARMS OF THIS UNIT!**

This unit is designed to support a maximum weight of 35 pounds. Excessive weight or binding will cause damage that **may void warranty**. Do not push, pull, or lean on the bottom tray or lift arms of this unit. Be aware of routing for all wiring. Avoid pinch points.

8700-000040



**WARNING:**

**AVOID DAMAGE TO THE LIFT ARMS OF THIS UNIT!**

This unit is designed to support a maximum weight of 35 pounds. Excessive weight or binding will cause damage that **may void warranty**. Do not push, pull, or lean on the bottom tray or lift arms of this unit. Be aware of routing for all wiring. Avoid pinch points.

8700-000040