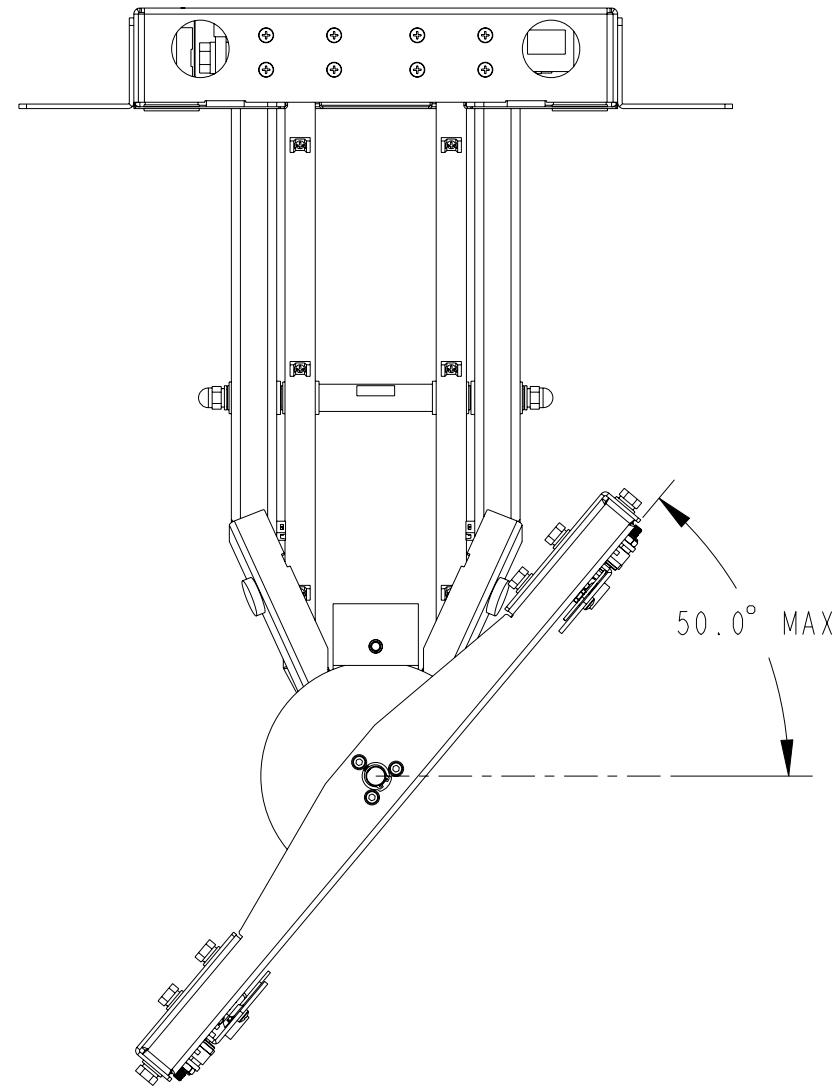
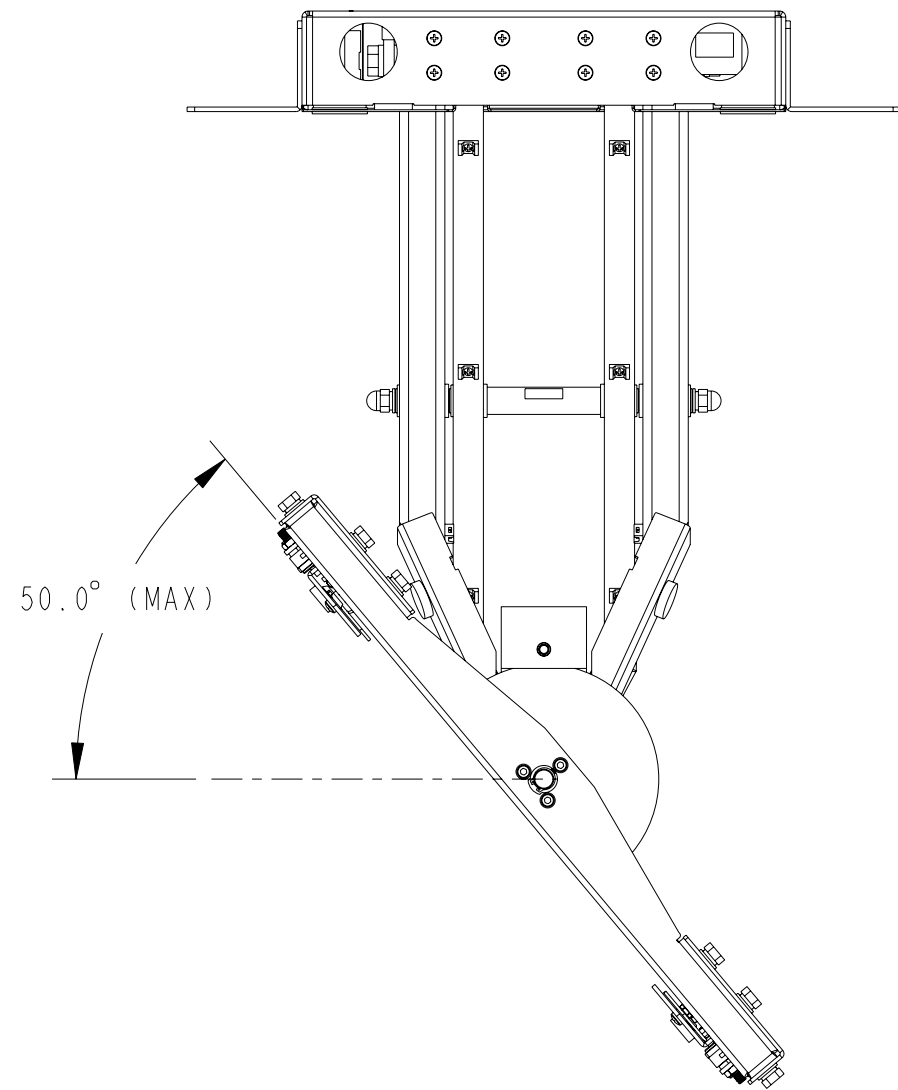


CHIEF MANUFACTURING INC.
MOUNT ORDER NUMBER IS CMI
PHONE: 1-800-582-6480

SHEET SCALE = 1:10

THE INFORMATION AND DESIGNS CONTAINED
IN THIS DRAWING ARE CONFIDENTIAL AND THE
PROPRIETARY PROPERTY OF CHIEF MFG., INC.
NEITHER THIS DESIGN NOR ANY INFORMATION
CONTAINED IN THIS DRAWING MAY BE
REPRODUCED OR DISCLOSED TO OTHERS
WITHOUT THE EXPRESS WRITTEN CONSENT OF
CHIEF MFG., INC.

CHIEF MANUFACTURING, INC. <small>8401 EAGLE CREEK PKWY STE. 700, SAVAGE, MN 55378 1.800.582.6480 • FAX 1.877.894.6918</small>	
TITLE CUSTOMER PRINT CMI	
SIZE B	DWG. NO. Draw1



CHIEF MANUFACTURING INC.
 MOUNT ORDER NUMBER IS CMI
 PHONE: 1-800-582-6480

SHEET SCALE = 1:10

THE INFORMATION AND DESIGNS CONTAINED
 IN THIS DRAWING ARE CONFIDENTIAL AND THE
 PROPRIETARY PROPERTY OF CHIEF MFG., INC.
 NEITHER THIS DESIGN NOR ANY INFORMATION
 CONTAINED IN THIS DRAWING MAY BE
 REPRODUCED OR DISCLOSED TO OTHERS
 WITHOUT THE EXPRESS WRITTEN CONSENT OF
 CHIEF MFG., INC.

CHIEF MANUFACTURING, INC.
 8401 EAGLE CREEK PKWY STE. 700, SAVAGE, MN 55378
 1.800.582.6480 • FAX 1.877.894.6918

TITLE
**CUSTOMER PRINT
 CMI**

SIZE B DWG. NO. Draw1

Draw1

D

C

B

A