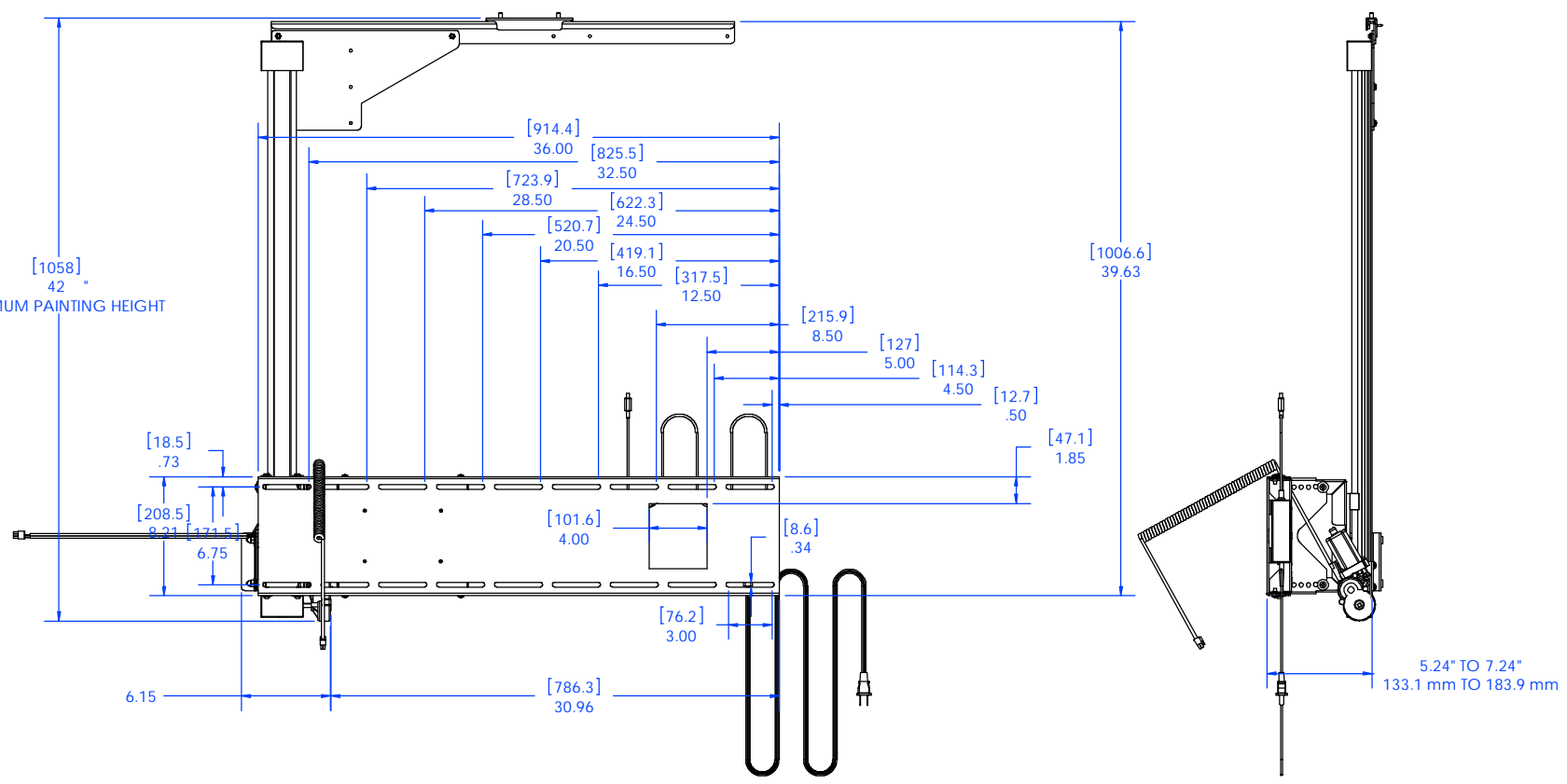


9225-000005-XXX

TOTAL TRAVEL APPROXIMATELY 28"

MINIMUM PAINTING HEIGHT



ACTUATOR CAN BE EITHER SIDE MOUNTED AS SHOWN
 OR CENTER MOUNTED
 ADD APPROXIMATELY 8" TO WIDTH OF SCREEN TO DETERMINE
 WIDTH OF PAINTING NEEDED



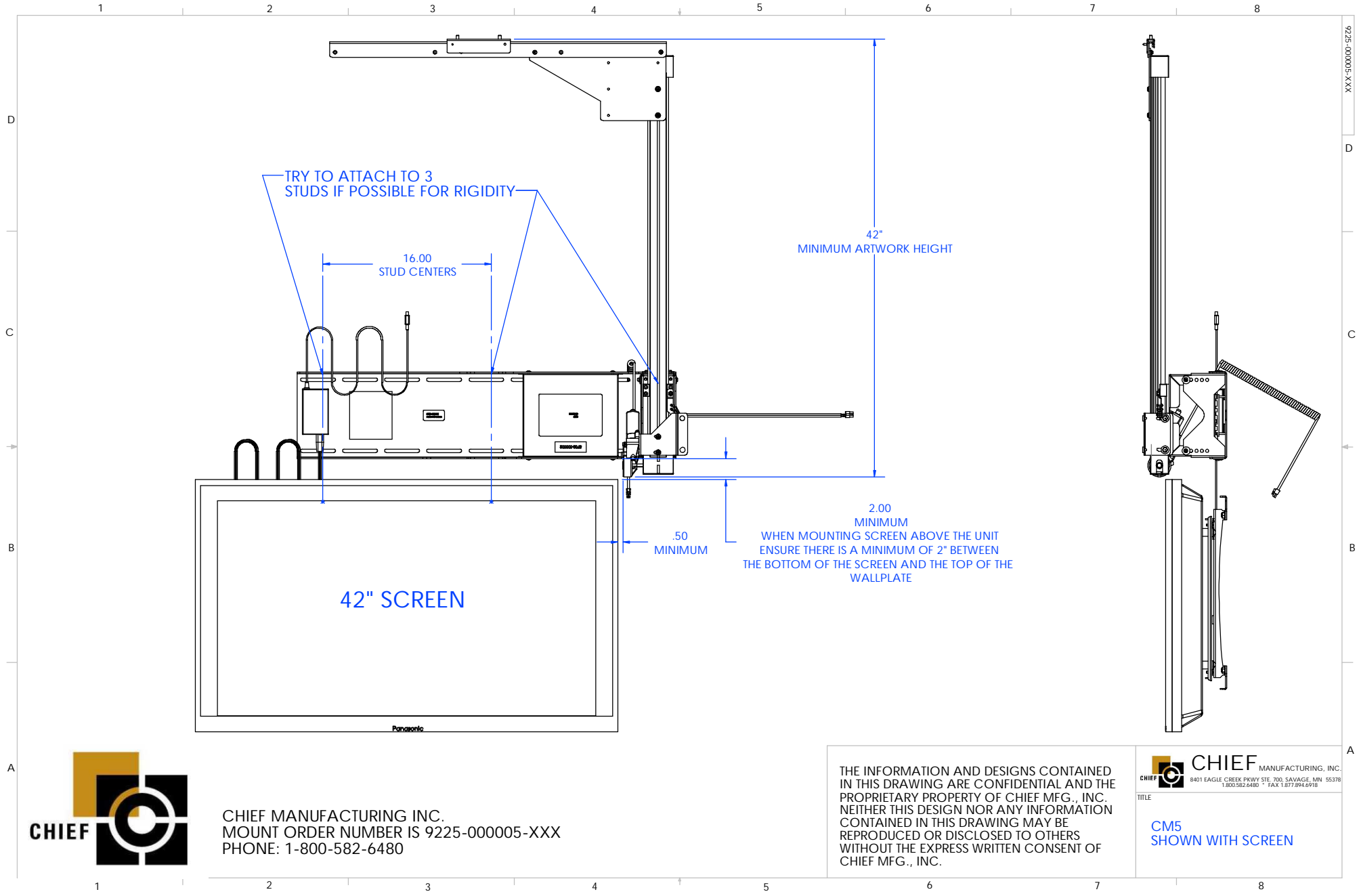
CHIEF MANUFACTURING INC.
 MOUNT ORDER NUMBER IS 9225-000005-XXX
 PHONE: 1-800-582-6480

THE INFORMATION AND DESIGNS CONTAINED
 IN THIS DRAWING ARE CONFIDENTIAL AND THE
 PROPRIETARY PROPERTY OF CHIEF MFG., INC.
 NEITHER THIS DESIGN NOR ANY INFORMATION
 CONTAINED IN THIS DRAWING MAY BE
 REPRODUCED OR DISCLOSED TO OTHERS
 WITHOUT THE EXPRESS WRITTEN CONSENT OF
 CHIEF MFG., INC.

CHIEF MANUFACTURING, INC.
 8401 EAGLE CREEK PKWY STE. 700, SAVAGE, MN 55378
 1.800.582.6480 • FAX 1.877.894.6918

TITLE
 CM5

1 2 3 4 5 6 7 8



TRY TO ATTACH TO 3 STUDS IF POSSIBLE FOR RIGIDITY

16.00 STUD CENTERS

42" MINIMUM ARTWORK HEIGHT

42" SCREEN

.50 MINIMUM

2.00 MINIMUM
WHEN MOUNTING SCREEN ABOVE THE UNIT
ENSURE THERE IS A MINIMUM OF 2" BETWEEN
THE BOTTOM OF THE SCREEN AND THE TOP OF THE
WALLPLATE



CHIEF MANUFACTURING INC.
MOUNT ORDER NUMBER IS 9225-000005-XXX
PHONE: 1-800-582-6480

THE INFORMATION AND DESIGNS CONTAINED
IN THIS DRAWING ARE CONFIDENTIAL AND THE
PROPRIETARY PROPERTY OF CHIEF MFG., INC.
NEITHER THIS DESIGN NOR ANY INFORMATION
CONTAINED IN THIS DRAWING MAY BE
REPRODUCED OR DISCLOSED TO OTHERS
WITHOUT THE EXPRESS WRITTEN CONSENT OF
CHIEF MFG., INC.

CHIEF MANUFACTURING, INC.
8401 EAGLE CREEK PKWY STE. 700, SAVAGE, MN 55378
1.800.582.6480 • FAX 1.877.894.6918

TITLE
**CM5
SHOWN WITH SCREEN**

9225-000005-XXX

D

C

B

A

1 2 3 4 5 6 7 8