

CHIEF MANUFACTURING INC.
MOUNT ORDER NUMBER IS CM7AC1
PHONE: 1-800-582-6480

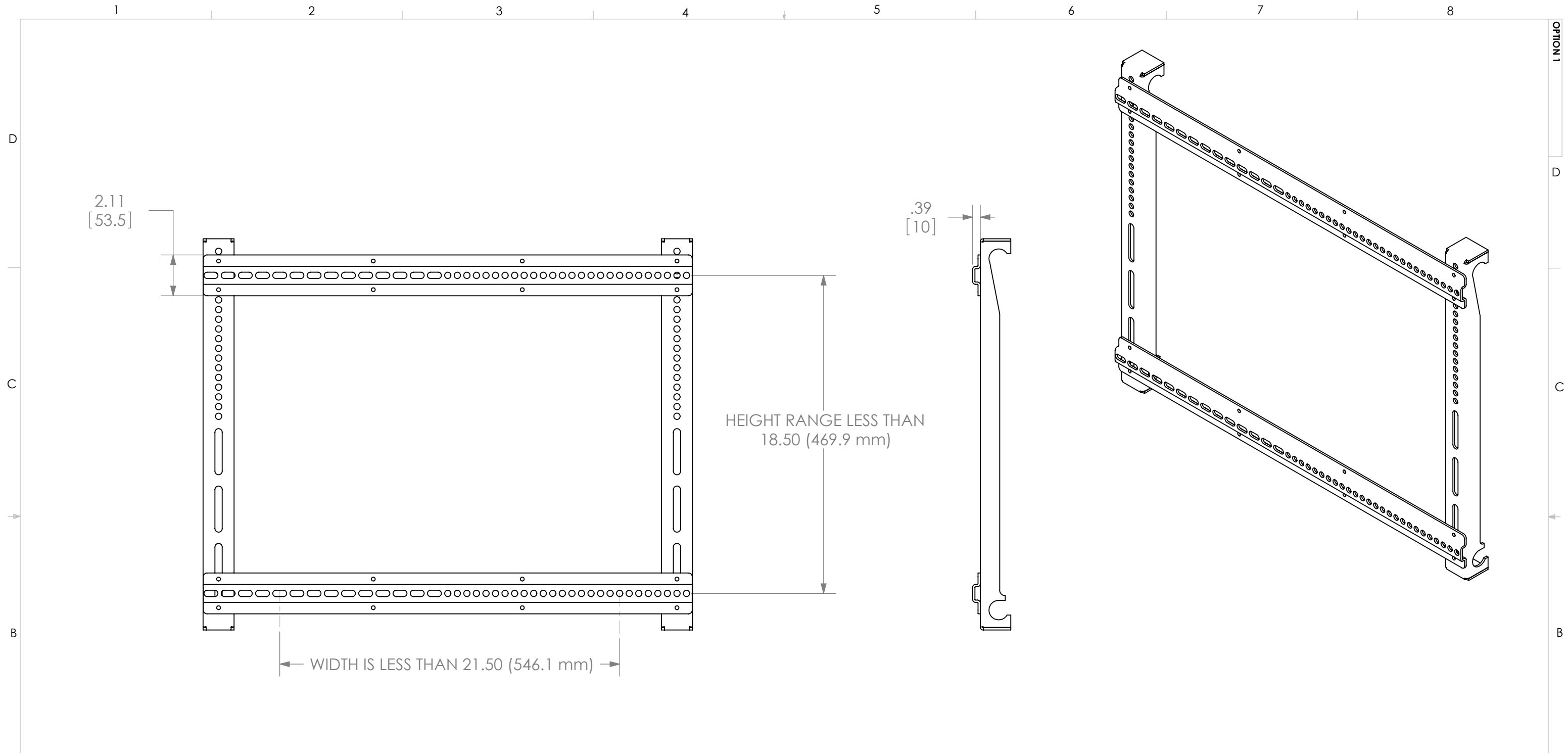
SHEET SCALE = 1:2

THE INFORMATION AND DESIGNS CONTAINED
 IN THIS DRAWING ARE CONFIDENTIAL AND THE
 PROPRIETARY PROPERTY OF CHIEF MFG., INC.
 NEITHER THIS DESIGN NOR ANY INFORMATION
 CONTAINED IN THIS DRAWING MAY BE
 REPRODUCED OR DISCLOSED TO OTHERS
 WITHOUT THE EXPRESS WRITTEN CONSENT OF
 CHIEF MFG., INC.

CHIEF SUITE #700
 SAVAGE, MN 55378

TITLE
CUSTOMER PRINT
CM7AC1

SIZE DWG. NO.
B CM7AC1



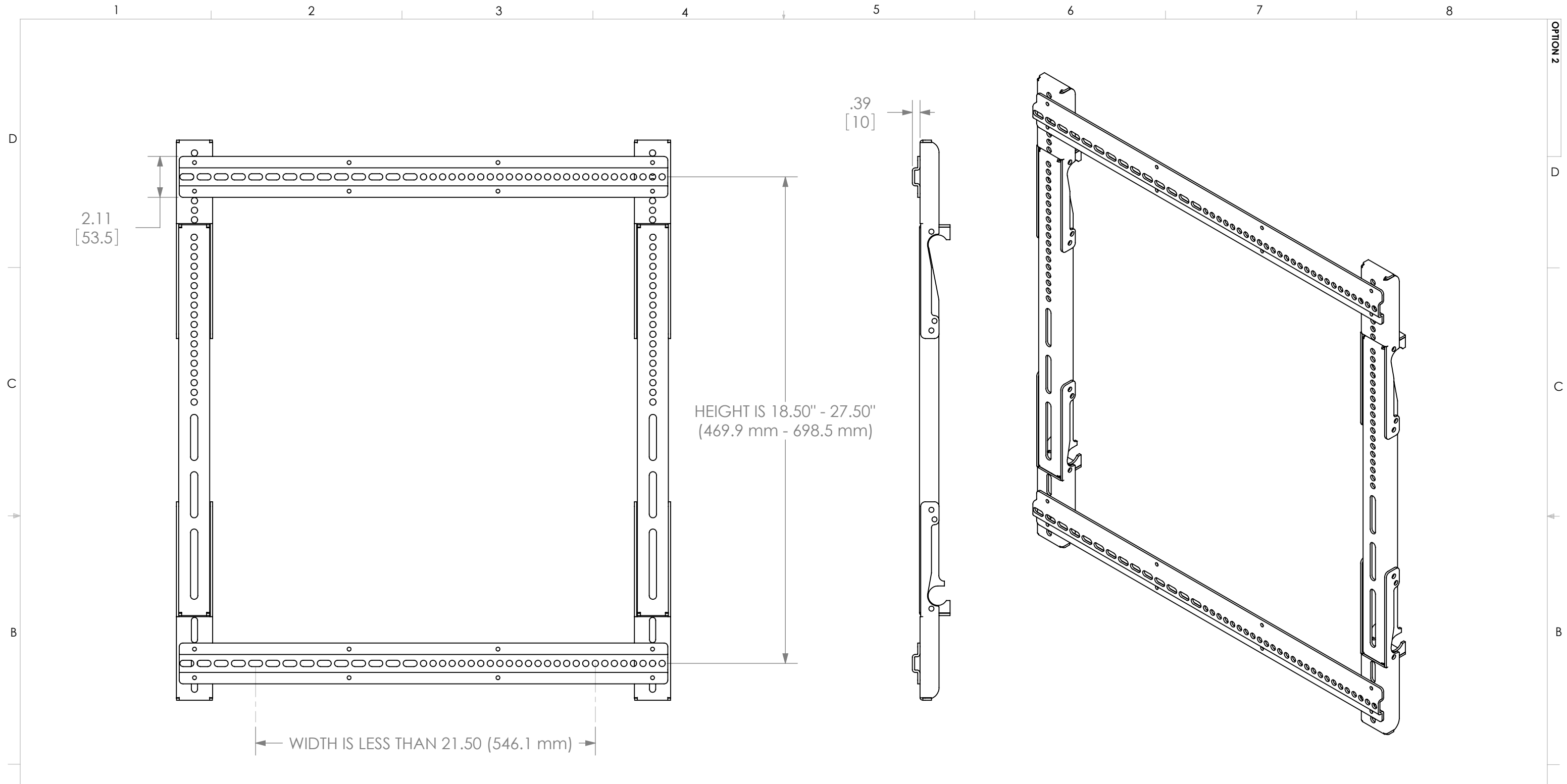
OPTION TO USE CROSS PLATES WHEN WIDTH IS LESS THAN 21.50" (546.1 mm) AND HEIGHT IS LESS THAN 18.50" (469.9 mm)

CHIEF CHIEF MANUFACTURING INC.
MOUNT ORDER NUMBER IS CM7AC1
PHONE: 1-800-582-6480

SHEET SCALE = 1:4

THE INFORMATION AND DESIGNS CONTAINED IN THIS DRAWING ARE CONFIDENTIAL AND THE PROPRIETARY PROPERTY OF CHIEF MFG., INC. NEITHER THIS DESIGN NOR ANY INFORMATION CONTAINED IN THIS DRAWING MAY BE REPRODUCED OR DISCLOSED TO OTHERS WITHOUT THE EXPRESS WRITTEN CONSENT OF CHIEF MFG., INC.

CHIEF		8401 EAGLE CREEK PKY SUITE #700 SAVAGE, MN 55378 PHONE: 952-894-6280 FAX: 877-894-6918
TITLE		CUSTOMER PRINT CM7AC1
SIZE	DWG. NO.	
B	CM7AC1	



OPTION TO USE CROSS PLATES AND BRACKET EXTENSIONS WHEN WIDTH IS LESS THAN 21.5" (546.1 mm) AND HEIGHT IS 18.50"-27.50" (469.9 mm - 698.5 mm)



CHIEF MANUFACTURING INC.
MOUNT ORDER NUMBER IS CM7AC1
PHONE: 1-800-582-6480

SHEET SCALE = 1:8

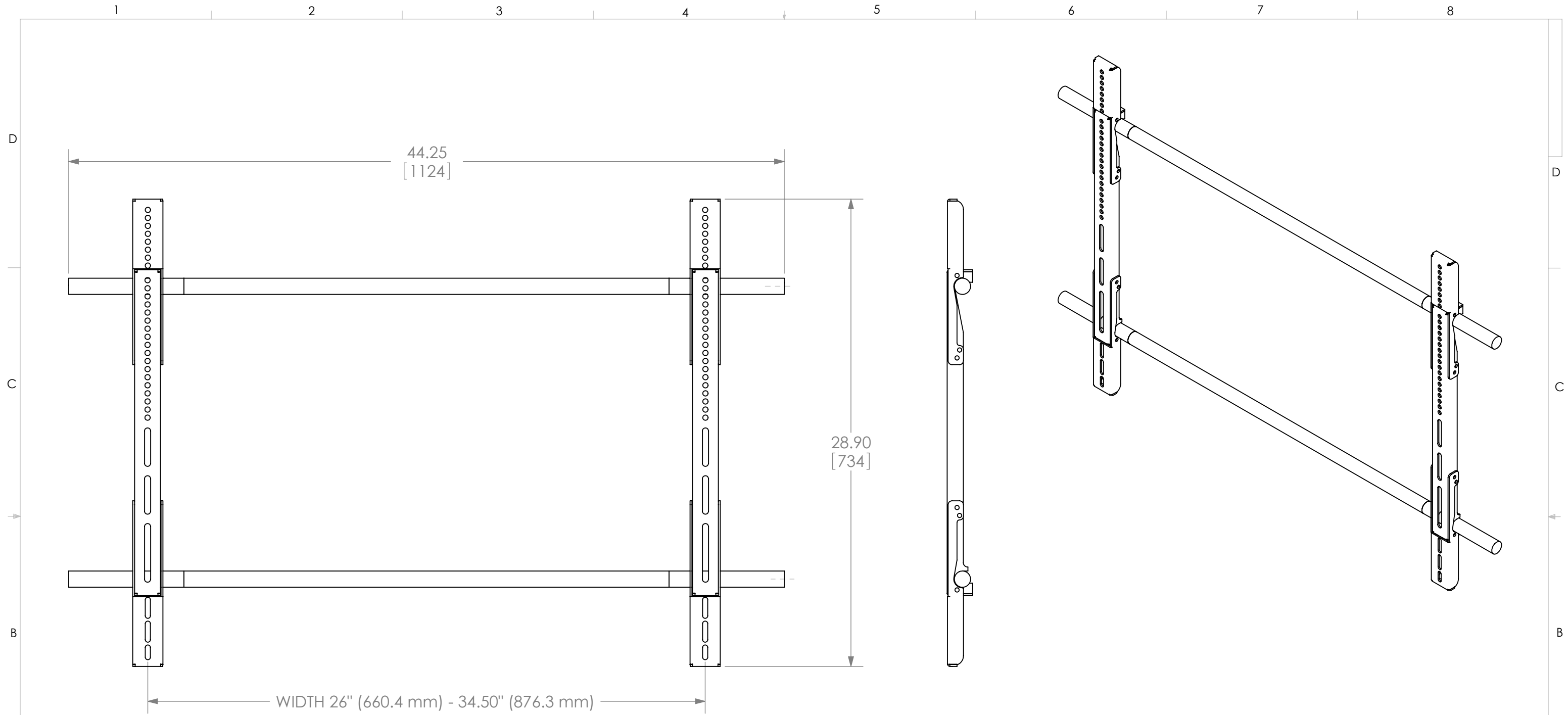
THE INFORMATION AND DESIGNS CONTAINED IN THIS DRAWING ARE CONFIDENTIAL AND THE PROPRIETARY PROPERTY OF CHIEF MFG., INC. NEITHER THIS DESIGN NOR ANY INFORMATION CONTAINED IN THIS DRAWING MAY BE REPRODUCED OR DISCLOSED TO OTHERS WITHOUT THE EXPRESS WRITTEN CONSENT OF CHIEF MFG., INC.



8401 EAGLE CREEK PKY
 SUITE #700
 SAVAGE, MN 55378
 PHONE: 952-894-6280
 FAX: 877-894-6918

TITLE
CUSTOMER PRINT
CM7AC1

SIZE | DWG. NO.
B | CM7AC1



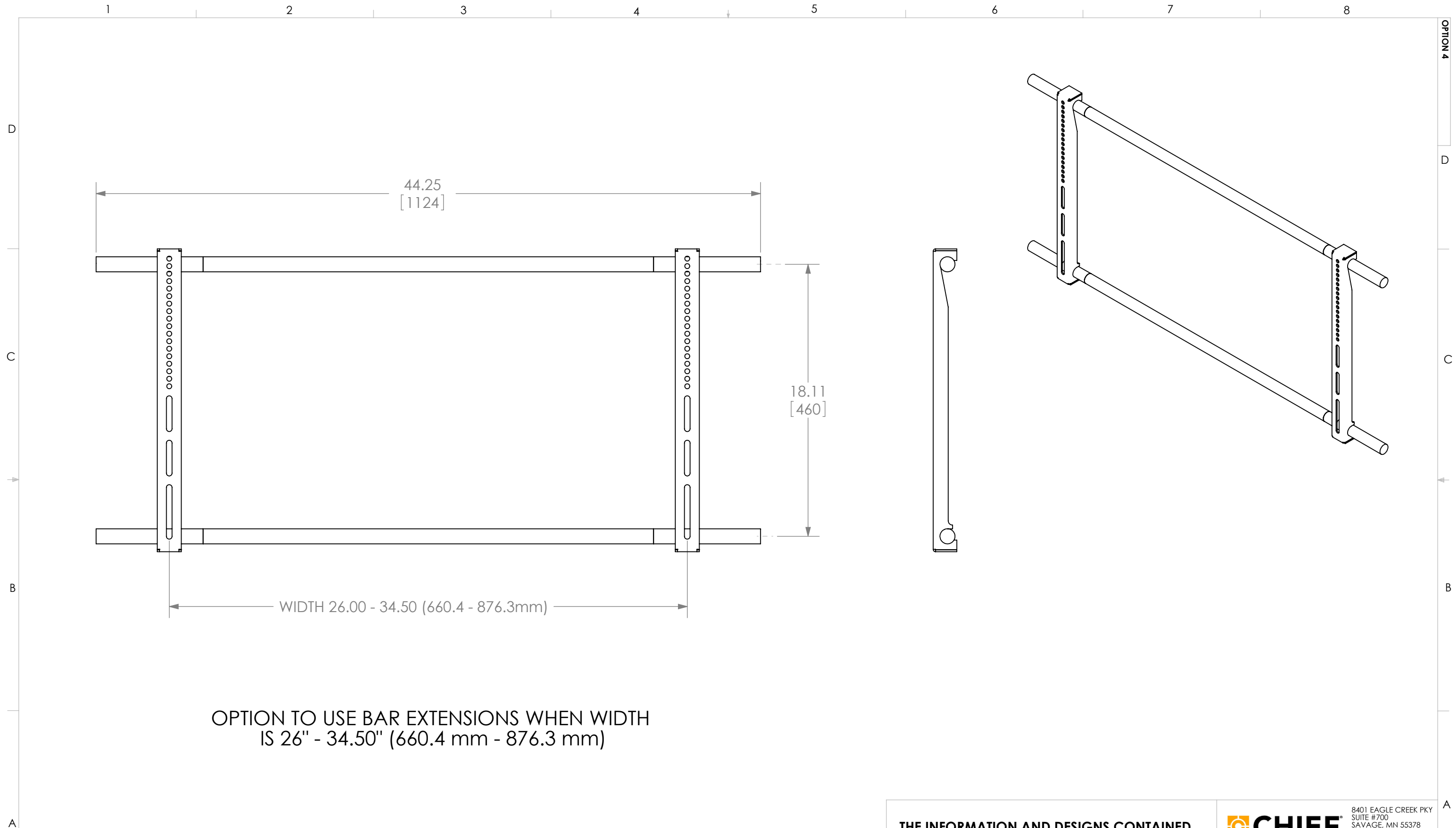
OPTION TO USE BRACKET EXTENSIONS AND BAR EXTENSIONS
 WHEN WIDTH IS 26" - 34.50" (660.4 mm - 876.3 mm) AND
 HEIGHT IS 18.50" - 27.50" (469.9 mm - 698.5 mm)

CHIEF CHIEF MANUFACTURING INC.
 MOUNT ORDER NUMBER IS CM7AC1
 PHONE: 1-800-582-6480

SHEET SCALE = 1:8

THE INFORMATION AND DESIGNS CONTAINED
 IN THIS DRAWING ARE CONFIDENTIAL AND THE
 PROPRIETARY PROPERTY OF CHIEF MFG., INC.
 NEITHER THIS DESIGN NOR ANY INFORMATION
 CONTAINED IN THIS DRAWING MAY BE
 REPRODUCED OR DISCLOSED TO OTHERS
 WITHOUT THE EXPRESS WRITTEN CONSENT OF
 CHIEF MFG., INC.

		8401 EAGLE CREEK PKY SUITE #700 SAVAGE, MN 55378 PHONE: 952-894-6280 FAX: 877-894-6918
TITLE CUSTOMER PRINT		
SIZE B	DWG. NO.	



OPTION TO USE BAR EXTENSIONS WHEN WIDTH IS 26" - 34.50" (660.4 mm - 876.3 mm)



CHIEF MANUFACTURING INC.
MOUNT ORDER NUMBER IS CM7AC1
PHONE: 1-800-582-6480

SHEET SCALE = 1:8

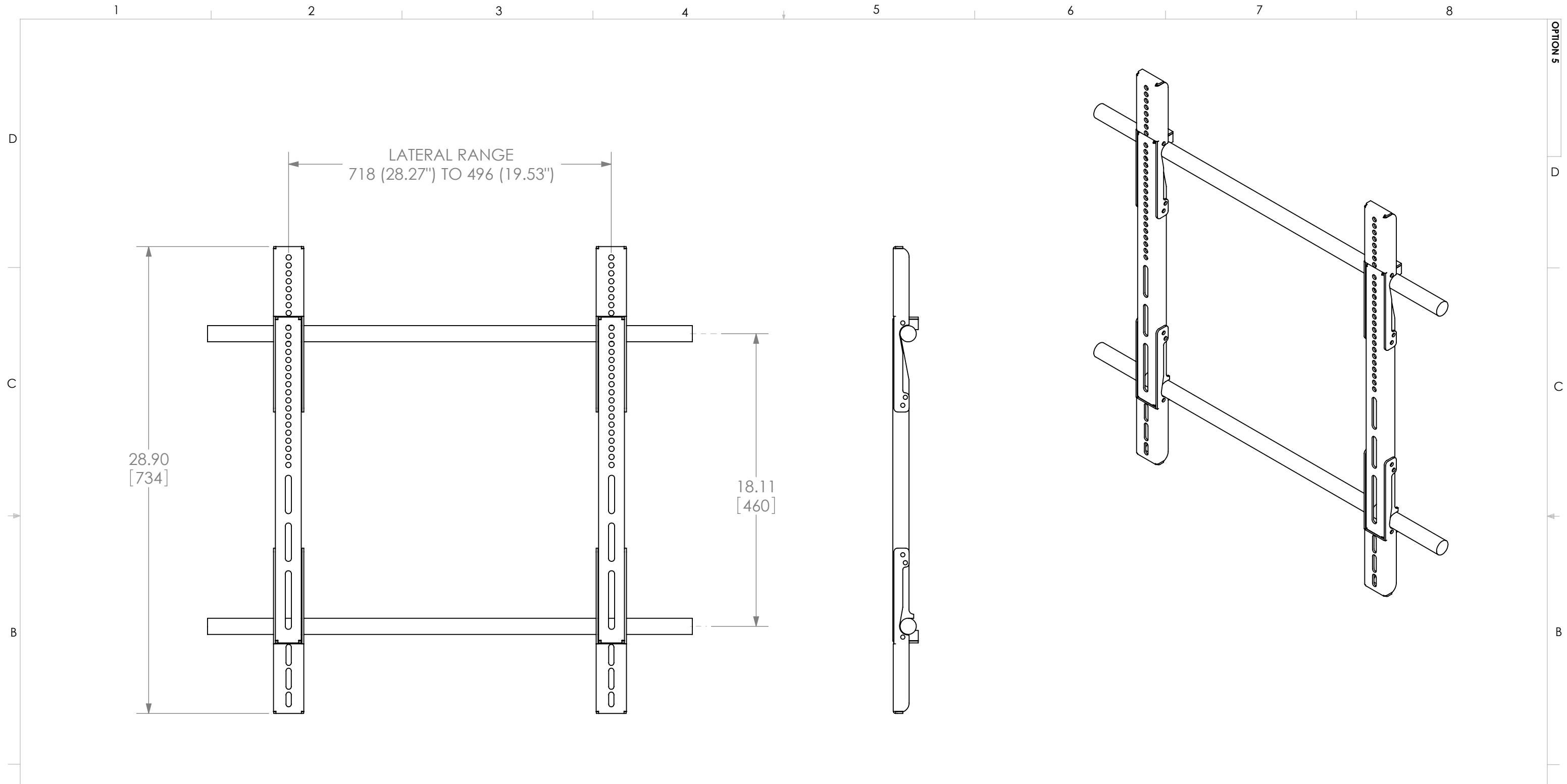
THE INFORMATION AND DESIGNS CONTAINED IN THIS DRAWING ARE CONFIDENTIAL AND THE PROPRIETARY PROPERTY OF CHIEF MFG., INC. NEITHER THIS DESIGN NOR ANY INFORMATION CONTAINED IN THIS DRAWING MAY BE REPRODUCED OR DISCLOSED TO OTHERS WITHOUT THE EXPRESS WRITTEN CONSENT OF CHIEF MFG., INC.



8401 EAGLE CREEK PKY
 SUITE #700
 SAVAGE, MN 55378
 PHONE: 952-894-6280
 FAX: 877-894-6918

TITLE
CUSTOMER PRINT
CM7AC1

SIZE DWG. NO.
B CM7AC1



OPTION TO USE BRACKET EXTENSIONS WHEN HEIGHT IS 18.50" - 27.50" (469.9 mm - 698.5 mm)

CHIEF CHIEF MANUFACTURING INC.
MOUNT ORDER NUMBER IS CM7AC1
PHONE: 1-800-582-6480

SHEET SCALE = 1:8

THE INFORMATION AND DESIGNS CONTAINED IN THIS DRAWING ARE CONFIDENTIAL AND THE PROPRIETARY PROPERTY OF CHIEF MFG., INC. NEITHER THIS DESIGN NOR ANY INFORMATION CONTAINED IN THIS DRAWING MAY BE REPRODUCED OR DISCLOSED TO OTHERS WITHOUT THE EXPRESS WRITTEN CONSENT OF CHIEF MFG., INC.

CHIEF 8401 EAGLE CREEK PKY
SUITE #700
SAVAGE, MN 55378
PHONE: 952-894-6280
FAX: 877-894-6918

TITLE
**CUSTOMER PRINT
CM7AC1**

SIZE DWG. NO.
B CM7AC1

OPTION 5
D
C
B
A