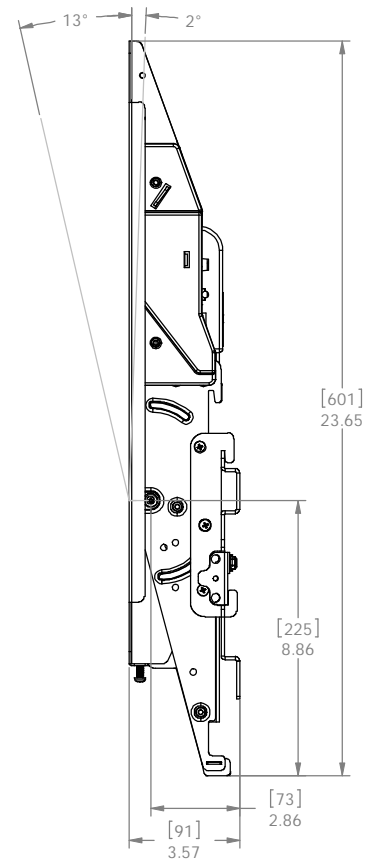


PRODUCT FEATURES	
WEIGHT CAPACITY	150 LBS (68 Kg)
MOUNTING PATTERN	WIDTH - 4.16" TO 30.13" (106 mm TO 765 mm) HEIGHT - UP TO 19.28" (490 mm)
TILT	-13° / +2°



THE INFORMATION AND DESIGNS CONTAINED IN THIS DRAWING ARE CONFIDENTIAL AND THE PROPRIETARY PROPERTY OF CHIEF MFG., INC. NEITHER THIS DESIGN NOR ANY INFORMATION CONTAINED IN THIS DRAWING MAY BE REPRODUCED OR DISCLOSED TO OTHERS WITHOUT THE EXPRESS WRITTEN CONSENT OF CHIEF MFG., INC.

CHIEF 8401 EAGLE CREEK PKY
SAVAGE, MN 55378
PHONE: 952-894-6280
FAX: 877-894-6918

TITLE
CUSTOMER PRINT
CM8 - MOTORIZED TILTING WALL MOUNT

SIZE DWG. NO.
B BRACKET ORDER # CM8T15U

BRACKET ORDER # CM8T15U

D

C

B

A