

1 2 3 4 5 6 7 8

CMA-003

D

D

C

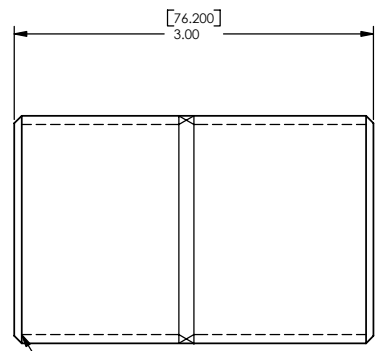
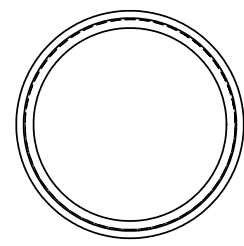
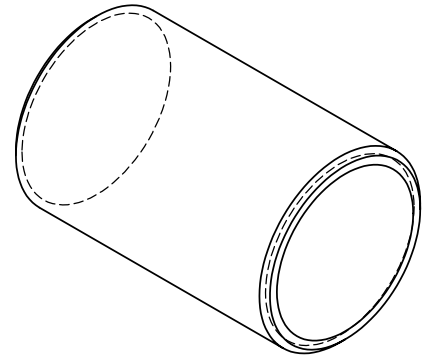
C

B

B

A

A



1 1/2" NPT  
BOTH ENDS



**CHIEF MANUFACTURING INC.**  
ORDER NUMBER IS CMA-003  
PHONE: 1-800-582-6480

THE INFORMATION AND DESIGNS CONTAINED  
IN THIS DRAWING ARE CONFIDENTIAL AND THE  
PROPRIETARY PROPERTY OF CHIEF MFG., INC.  
NEITHER THIS DESIGN NOR ANY INFORMATION  
CONTAINED IN THIS DRAWING MAY BE  
REPRODUCED OR DISCLOSED TO OTHERS  
WITHOUT THE EXPRESS WRITTEN CONSENT OF  
CHIEF MFG., INC.

		<b>CHIEF</b> MANUFACTURING, INC. <small>12800 HWY 13 SOUTH STE. 500 • SAVAGE, MN. 55378 1.800.582.6480 • 16x 1.877.8194.6918</small>
TITLE	CUSTOMER PRINT FIXED COLUMN CMA-003	
SIZE	DWG. NO. <b>CMA-003</b>	

1 2 3 4 5 6 7 8