

1 2 3 4 5 6 7 8

CMA-006009

D

D

C

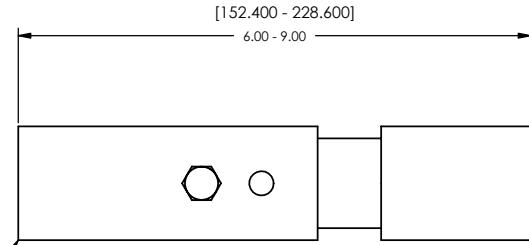
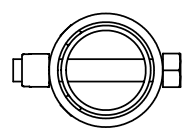
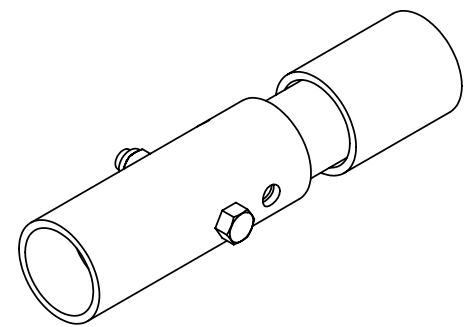
C

B

B

A

A




1 1/2" NPT  
MALE BOTH ENDS



**CHIEF MANUFACTURING INC.**  
**MOUNT ORDER NUMBER IS CMA-006009**  
**PHONE: 1-800-582-6480**

THE INFORMATION AND DESIGNS CONTAINED  
IN THIS DRAWING ARE CONFIDENTIAL AND THE  
PROPRIETARY PROPERTY OF CHIEF MFG., INC.  
NEITHER THIS DESIGN NOR ANY INFORMATION  
CONTAINED IN THIS DRAWING MAY BE  
REPRODUCED OR DISCLOSED TO OTHERS  
WITHOUT THE EXPRESS WRITTEN CONSENT OF  
CHIEF MFG., INC.

		<b>CHIEF</b> MANUFACTURING, INC. <small>12800 HWY 13 SOUTH STE. 500 • SAVAGE, MN. 55378 1.800.582.6480 • 10x 1.877.814.6918</small>
TITLE	CUSTOMER PRINT CMA006009 ADJUSTIBLE COLUMN	
SIZE	DWG. NO.	<b>CMA-006009</b>
<b>B</b>		

1 2 3 4 5 6 7 8