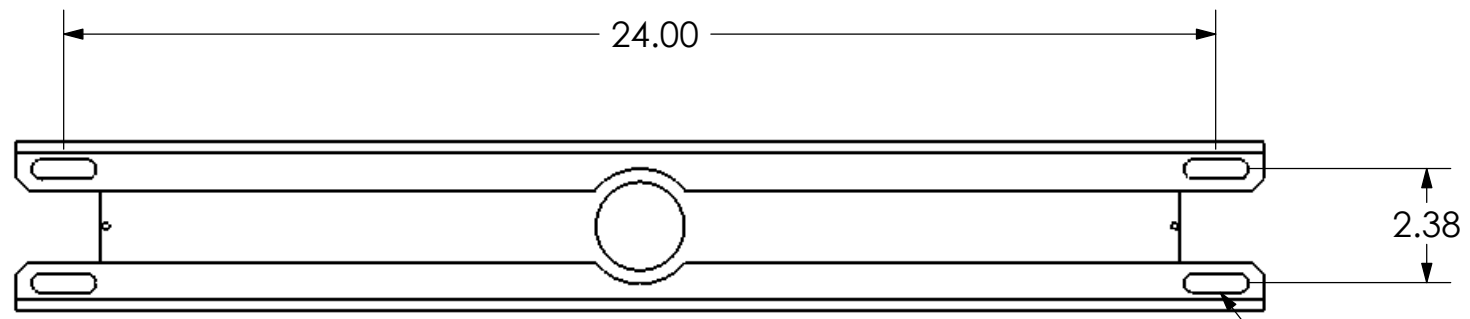
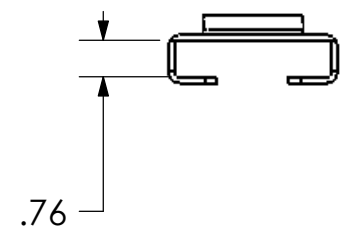
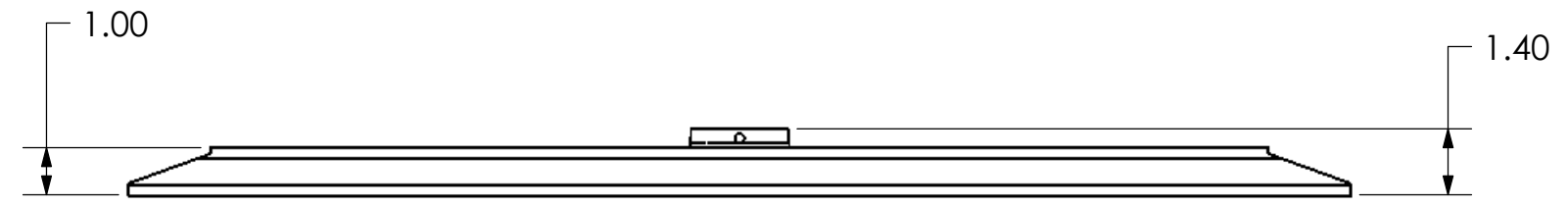
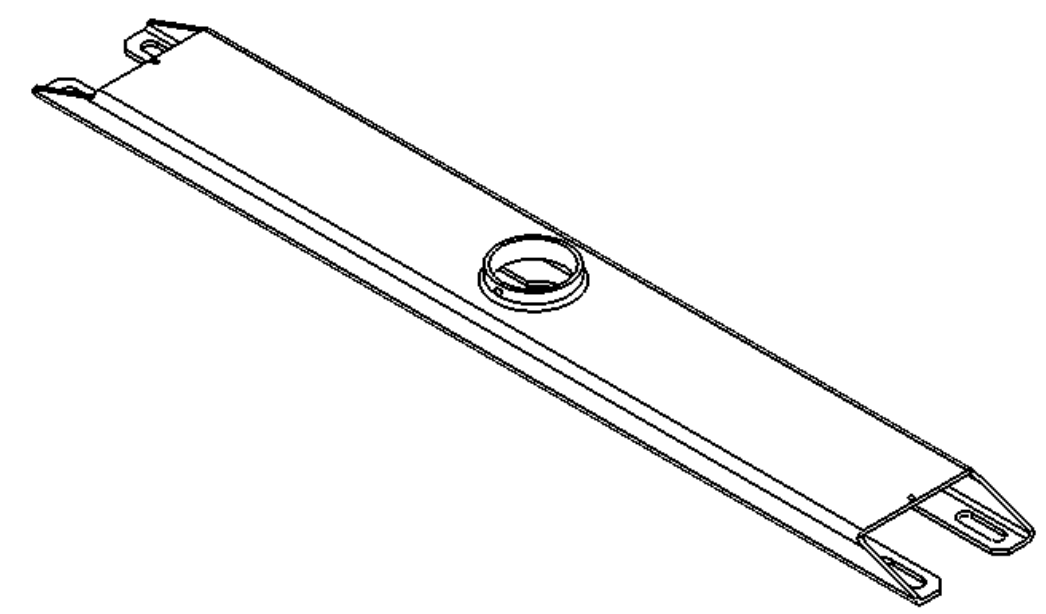


1.5" NPT




3/8" x 1" SLOT

NOTE: END COVERS SUPPLIED BUT NOT SHOWN



**CHIEF MANUFACTURING INC.**  
**MOUNT ORDER NUMBER IS CMA-391**  
**PHONE: 1-800-582-6480**

THE INFORMATION AND DESIGNS CONTAINED IN THIS DRAWING ARE CONFIDENTIAL AND THE PROPRIETARY PROPERTY OF CHIEF MFG., INC. NEITHER THIS DESIGN NOR ANY INFORMATION CONTAINED IN THIS DRAWING MAY BE REPRODUCED OR DISCLOSED TO OTHERS WITHOUT THE EXPRESS WRITTEN CONSENT OF CHIEF MFG., INC.

 <b>CHIEF</b> MANUFACTURING, INC. <small>8401 EAGLE CREEK PKWY STE. 700, SAVAGE, MN 55378          1.800.582.6480 * FAX 1.877.894.6918</small>	TITLE
	<b>CUSTOMER PRINT CMA-391</b>
SIZE	DWG. NO.
<b>B</b>	<b>CMA-391</b>