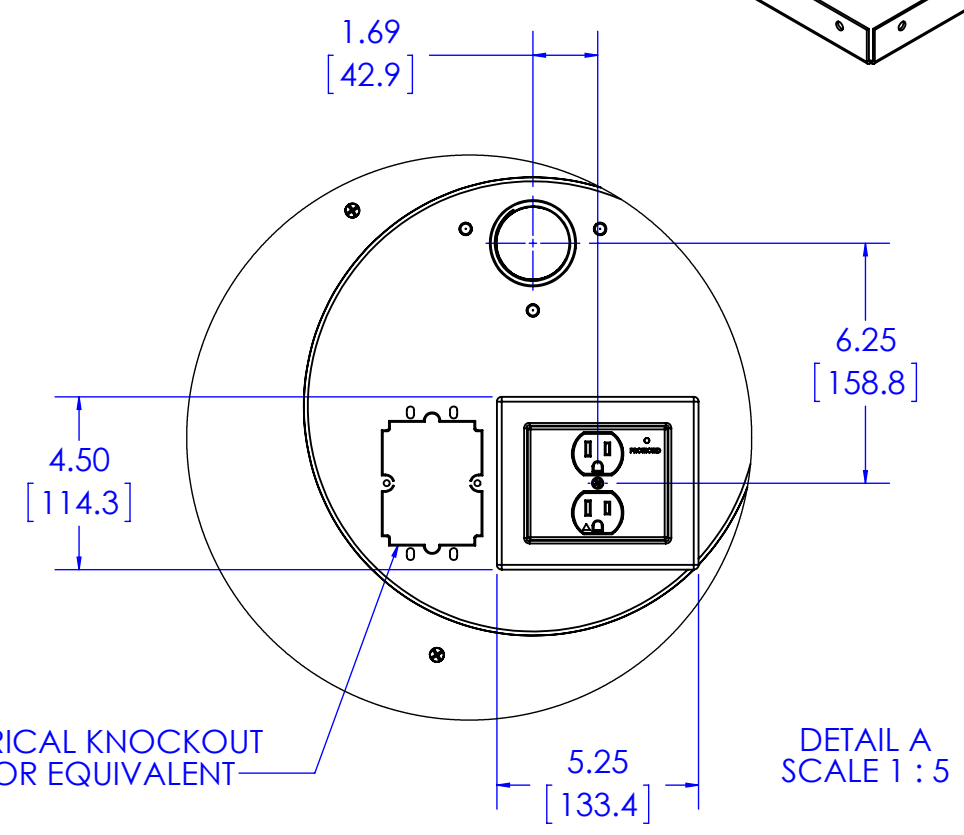
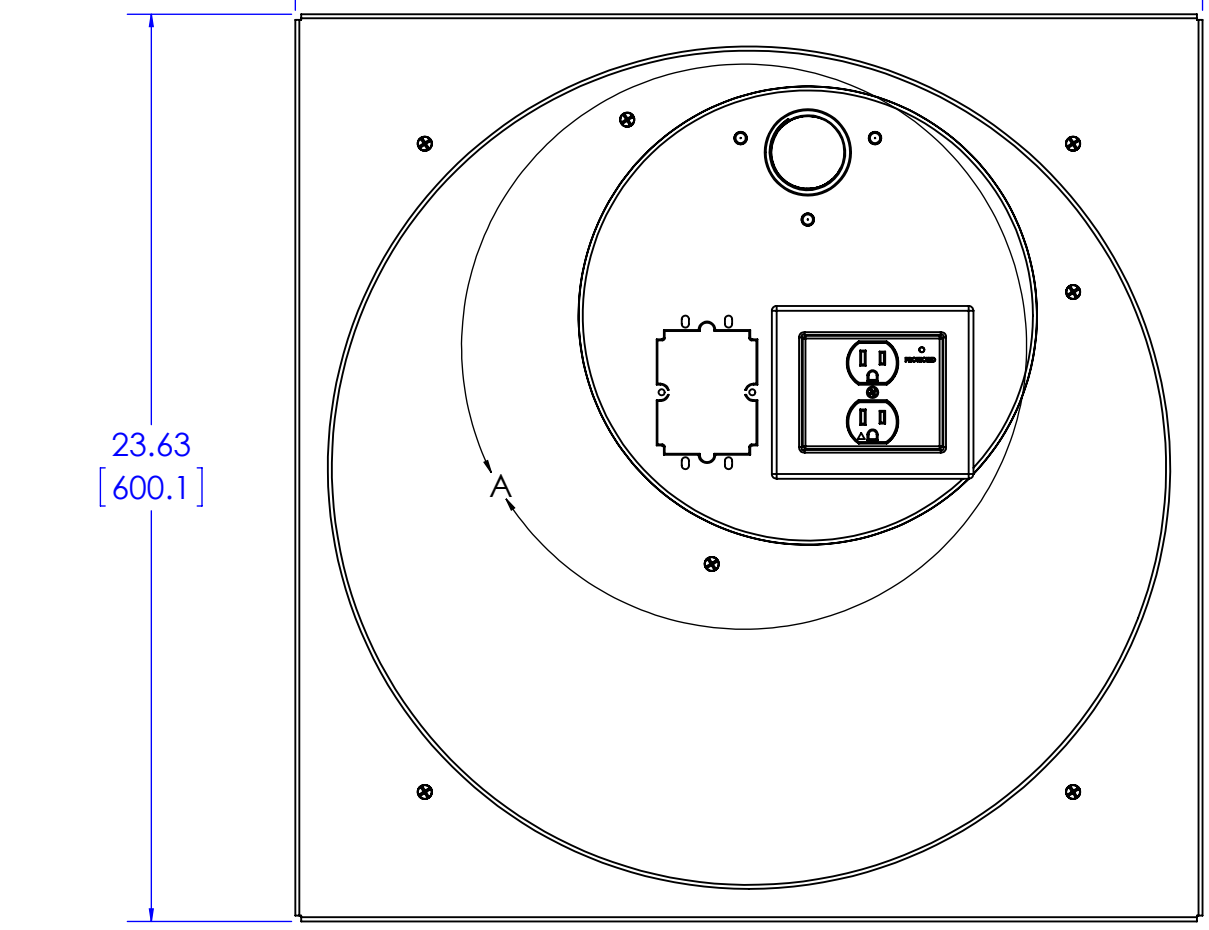
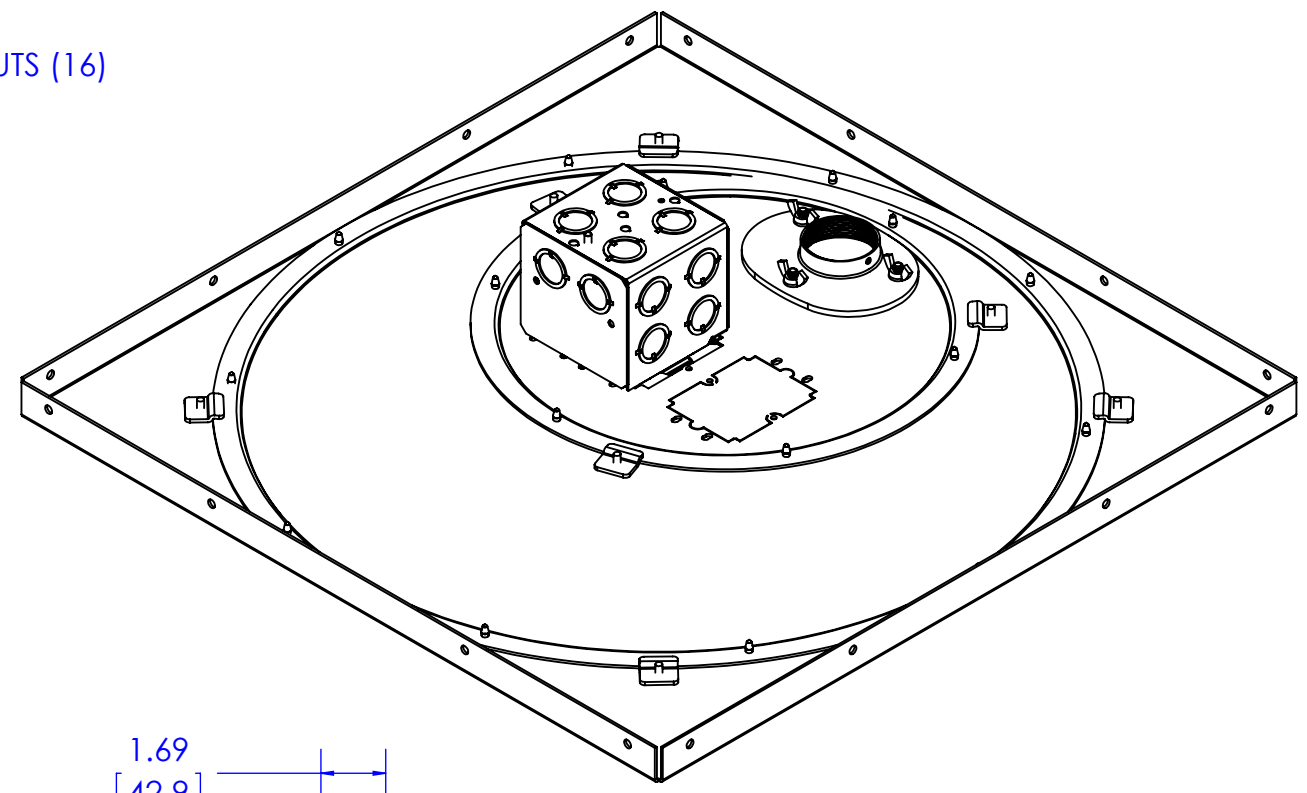
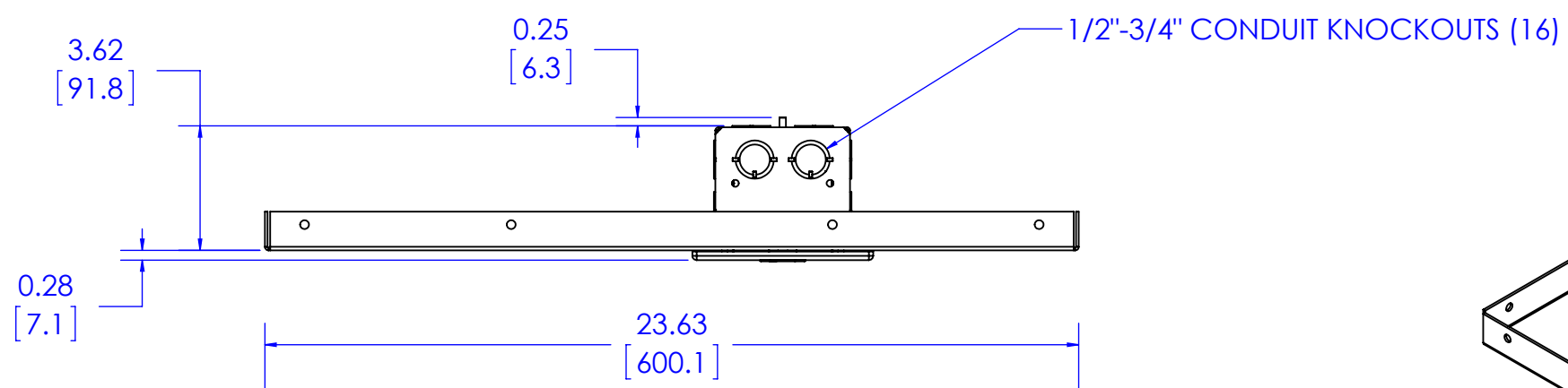


**\*SEE CMS445 FOR CEILING PLATE DIMENSIONS\***



SINGLE GANG ELECTRICAL KNOCKOUT  
RACO PART NO. 500 OR EQUIVALENT

DETAIL A  
SCALE 1 : 5

- AC LINE POWER CONDITIONER 125 V~, 60 Hz, 15 A**
- 4x14 AWG STRANDED WIRE W/ ISOLATED GROUND**
- SURGE PROTECTION**
- EMI/RFI FILTERING**
- POWER CONSUMPTION: <0.5 WATT**

**THE INFORMATION AND DESIGNS CONTAINED IN THIS DRAWING ARE CONFIDENTIAL AND THE PROPRIETARY PROPERTY OF MILESTONE AV TECHNOLOGIES NEITHER THIS DESIGN NOR ANY INFORMATION CONTAINED IN THIS DRAWING MAY BE REPRODUCED OR DISCLOSED TO OTHERS WITHOUT THE EXPRESS WRITTEN CONSENT OF MILESTONE AV TECHNOLOGIES.**

CAD GENERATED DRAWING, DO NOT MANUALLY UPDATE.			<b>CHIEF</b> 6436 CITY WEST PKWY EDEN PRAIRIE MN, 55344 PHONE: 866-977-3901 FAX: 877-894-6918
DRAWN BY	MM	8/17/2015	
ENG APPROVAL			DESCRIPTION <b>POWERED SUSPENDED CEILING REPLACEMENT TILE</b>
MFG APPROVAL			MODEL NO. <b>CMS445P2</b>
QA APPROVAL			SIZE DWG. NO. <b>B TECH-000721</b>
SHEET 1 OF 1			SCALE <b>1:5</b>
			REV. <b>02</b>