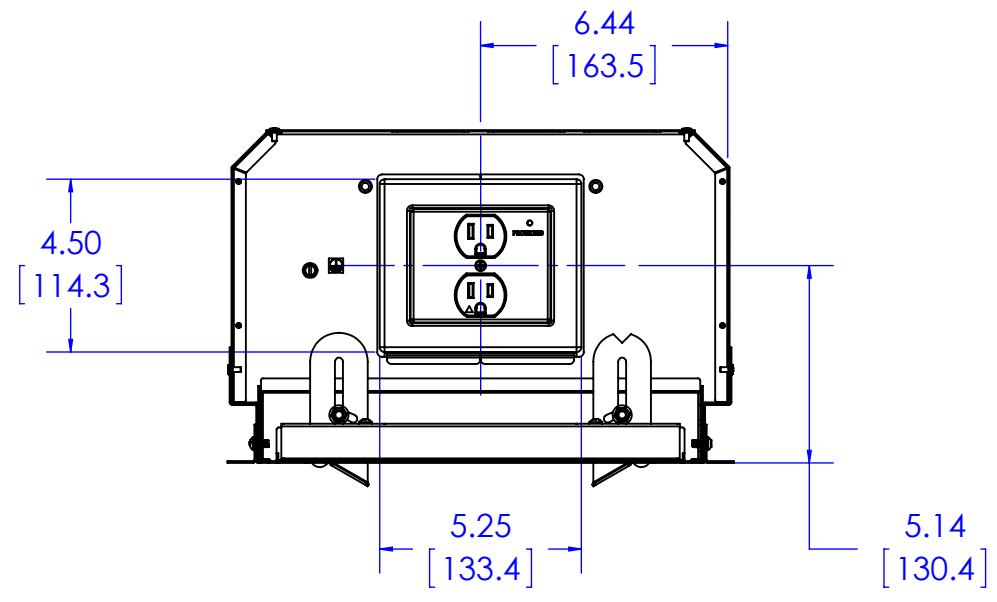
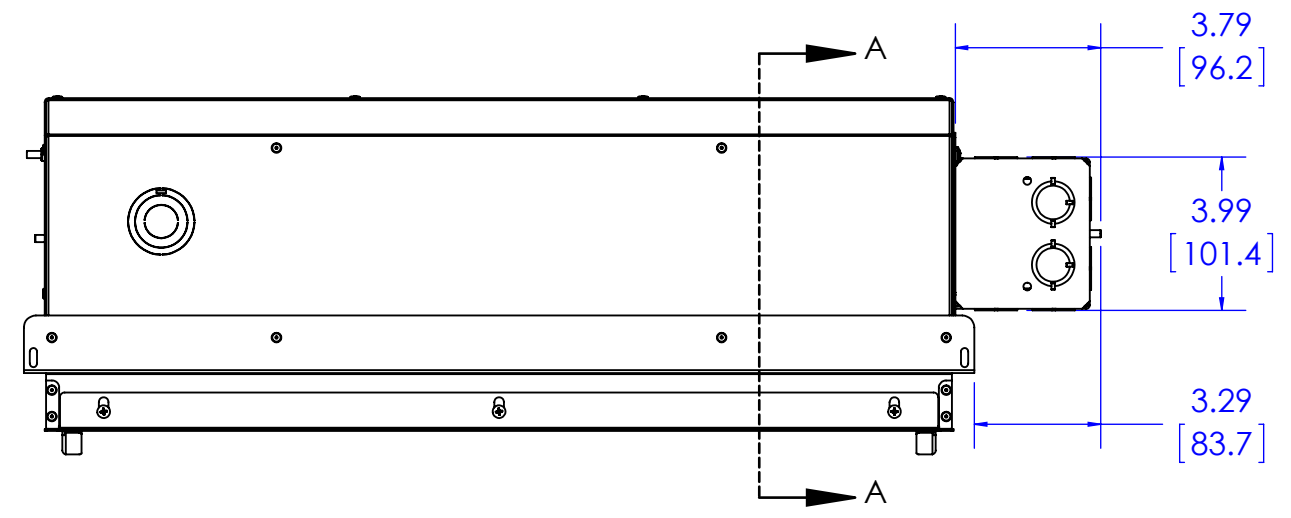
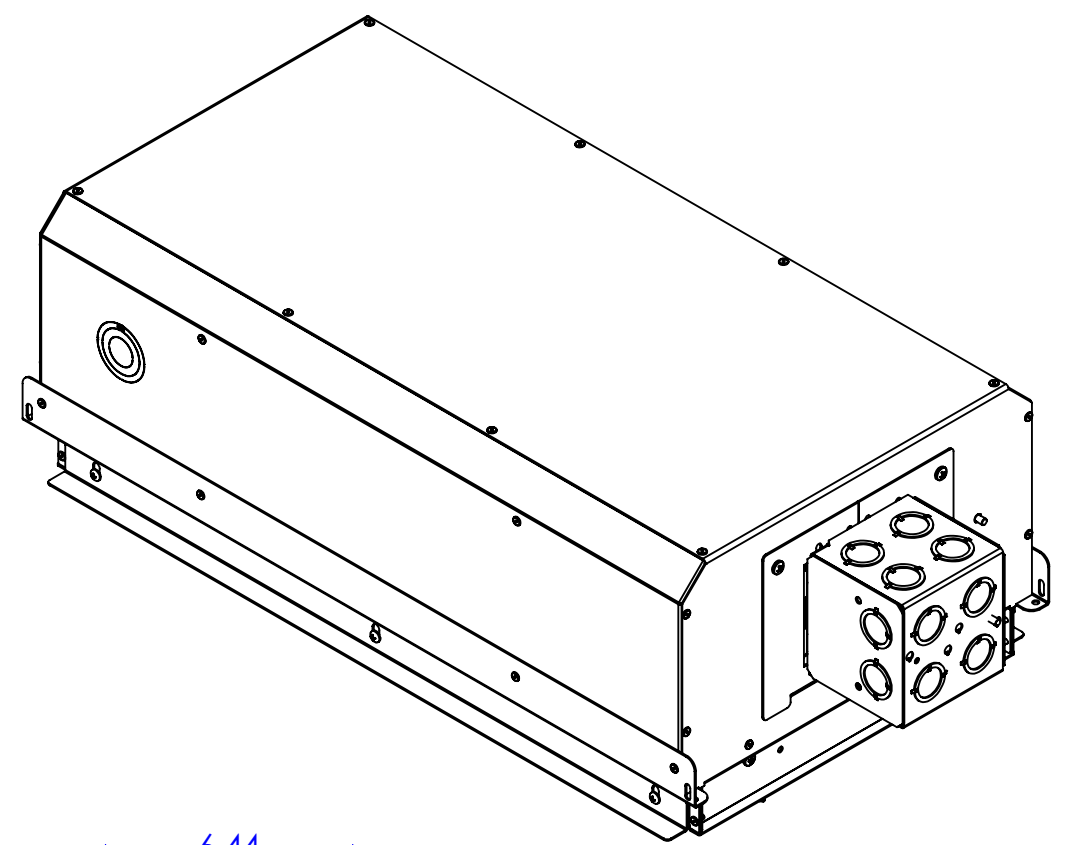
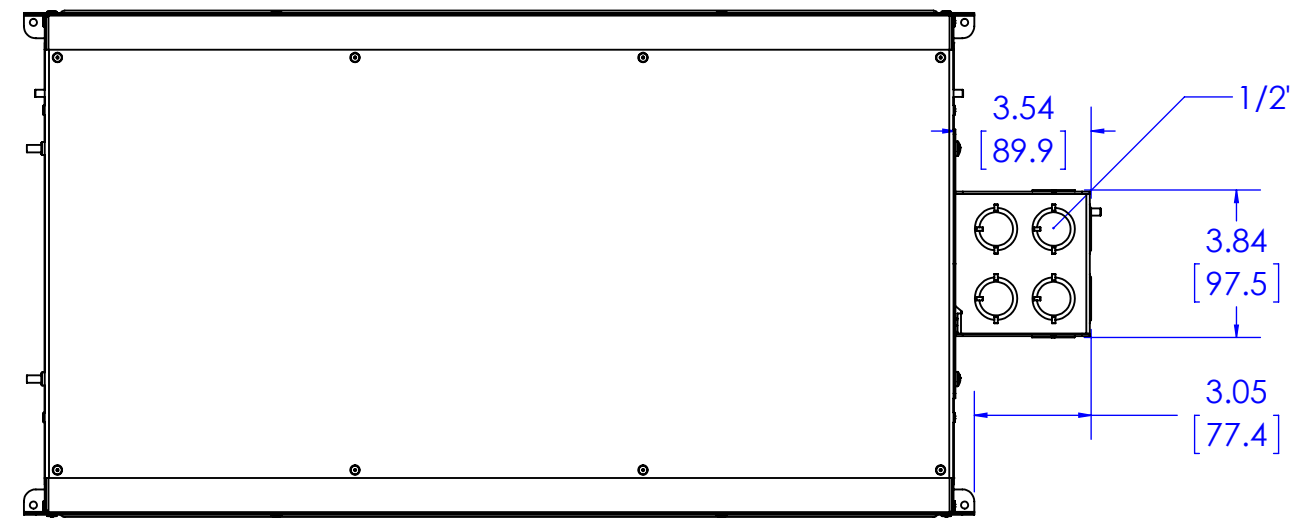


**\*SEE CMS491 FOR BOX DIMENSIONS\***



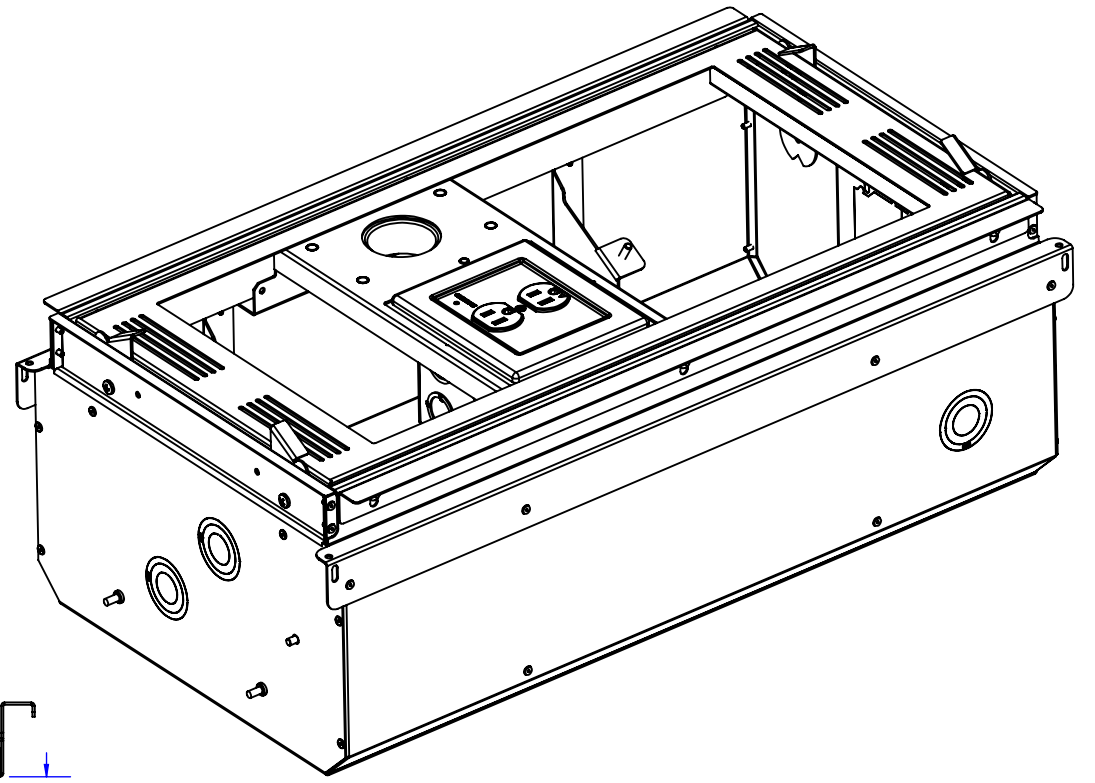
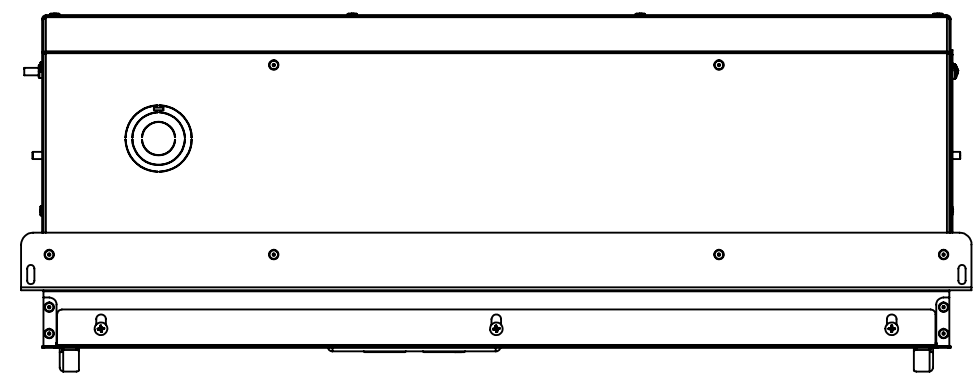
SECTION A-A

**AC LINE POWER CONDITIONER 125 V~, 60 Hz, 15 A**  
**4x14 AWG STRANDED WIRE W/ ISOLATED GROUND**  
**SURGE PROTECTION**  
**EMI/RFI FILTERING**  
**POWER CONSUMPTION: <0.5 WATT**

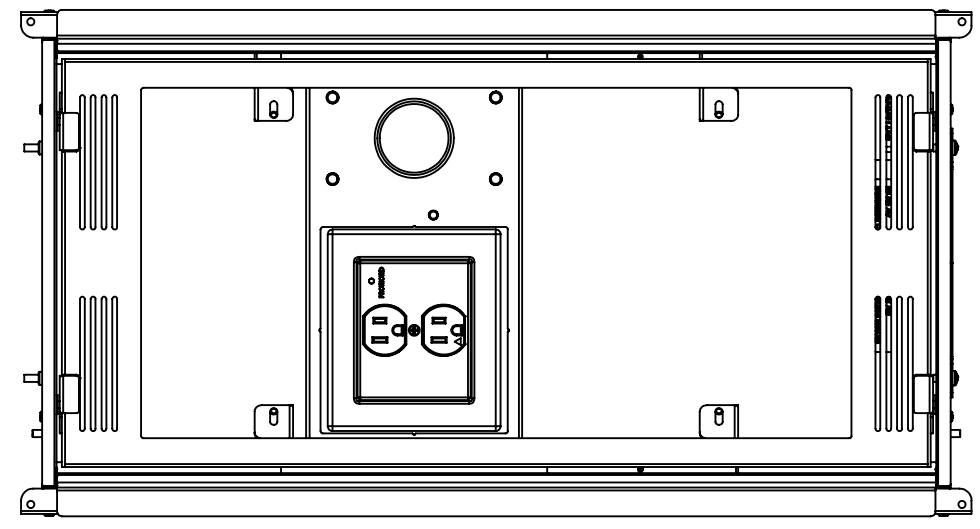
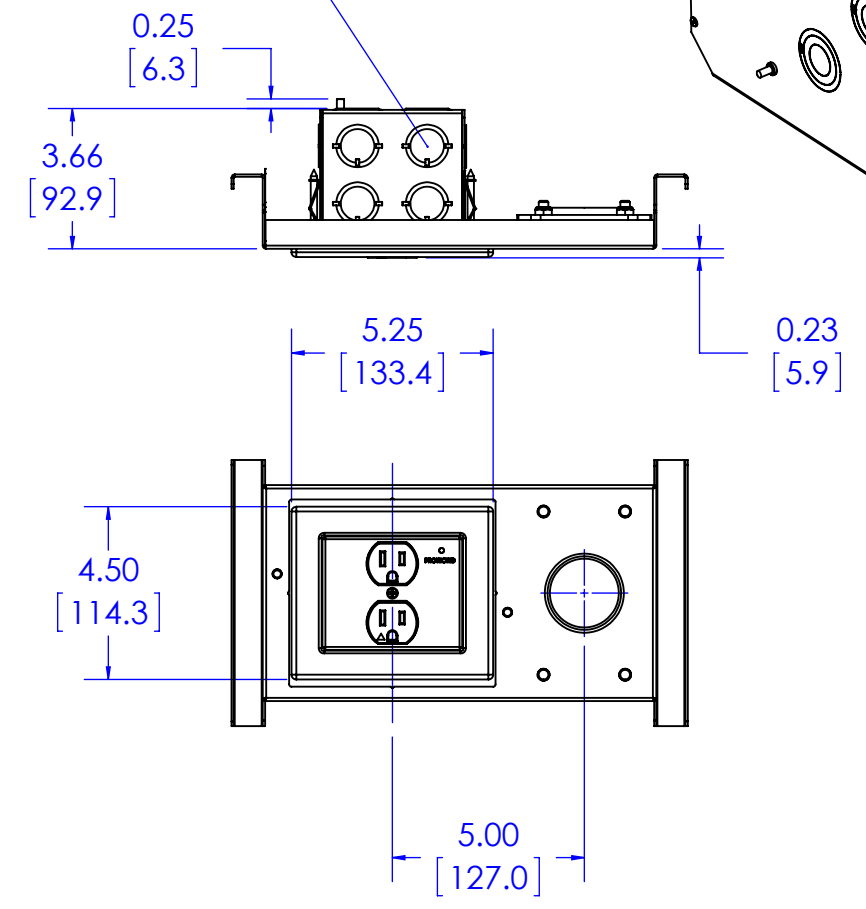
**THE INFORMATION AND DESIGNS CONTAINED IN THIS DRAWING ARE CONFIDENTIAL AND THE PROPRIETARY PROPERTY OF MILESTONE AV TECHNOLOGIES NEITHER THIS DESIGN NOR ANY INFORMATION CONTAINED IN THIS DRAWING MAY BE REPRODUCED OR DISCLOSED TO OTHERS WITHOUT THE EXPRESS WRITTEN CONSENT OF MILESTONE AV TECHNOLOGIES.**

CAD GENERATED DRAWING, DO NOT MANUALLY UPDATE.			<b>CHIEF</b> 6436 CITY WEST PKWY EDEN PRAIRIE MN, 55344 PHONE: 866-977-3901 FAX: 877-894-6918
DRAWN BY	MM	8/18/2015	
ENG APPROVAL			DESCRIPTION <b>1X2 POWERED CEILING STORAGE BOX</b>
MFG APPROVAL			MODEL NO. <b>CMS491P2 / CMS491CP2</b>
QA APPROVAL			SIZE DWG. NO. <b>B TECH-000722</b>
SHEET 1 OF 2		SCALE <b>1:5</b>	REV. <b>01</b>

**\*SEE CMS491C FOR BOX DIMENSIONS\***



1/2"-3/4" CONDUIT KNOCKOUTS (16)



- AC LINE POWER CONDITIONER 125 V~, 60 Hz, 15 A**
- 4x14 AWG STRANDED WIRE W/ ISOLATED GROUND**
- SURGE PROTECTION**
- EMI/RFI FILTERING**
- POWER CONSUMPTION: <0.5 WATT**

**THE INFORMATION AND DESIGNS CONTAINED IN THIS DRAWING ARE CONFIDENTIAL AND THE PROPRIETARY PROPERTY OF MILESTONE AV TECHNOLOGIES NEITHER THIS DESIGN NOR ANY INFORMATION CONTAINED IN THIS DRAWING MAY BE REPRODUCED OR DISCLOSED TO OTHERS WITHOUT THE EXPRESS WRITTEN CONSENT OF MILESTONE AV TECHNOLOGIES.**

CAD GENERATED DRAWING, DO NOT MANUALLY UPDATE.			6436 CITY WEST PKWY EDEN PRAIRIE MN, 55344 PHONE: 866-977-3901 FAX: 877-894-6918
DRAWN BY	MM	8/18/2015	
ENG APPROVAL			DESCRIPTION
MFG APPROVAL			<b>1X2 POWERED CEILING STORAGE BOX</b>
QA APPROVAL			MODEL NO.
SHEET 2 OF 2			CMS491P2 / CMS491CP2 SIZE DWG. NO. TECH-000722 REV. 01