

CUT WITH KNIFE OR OTHER APPROPRIATE TOOL TO MATCH MONITOR PROFILE

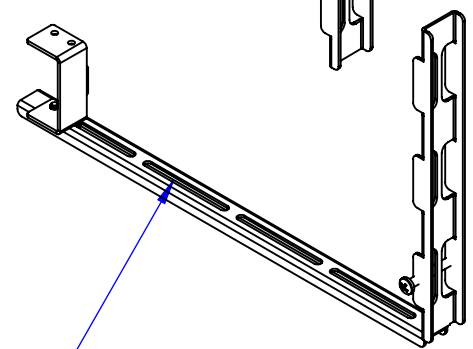
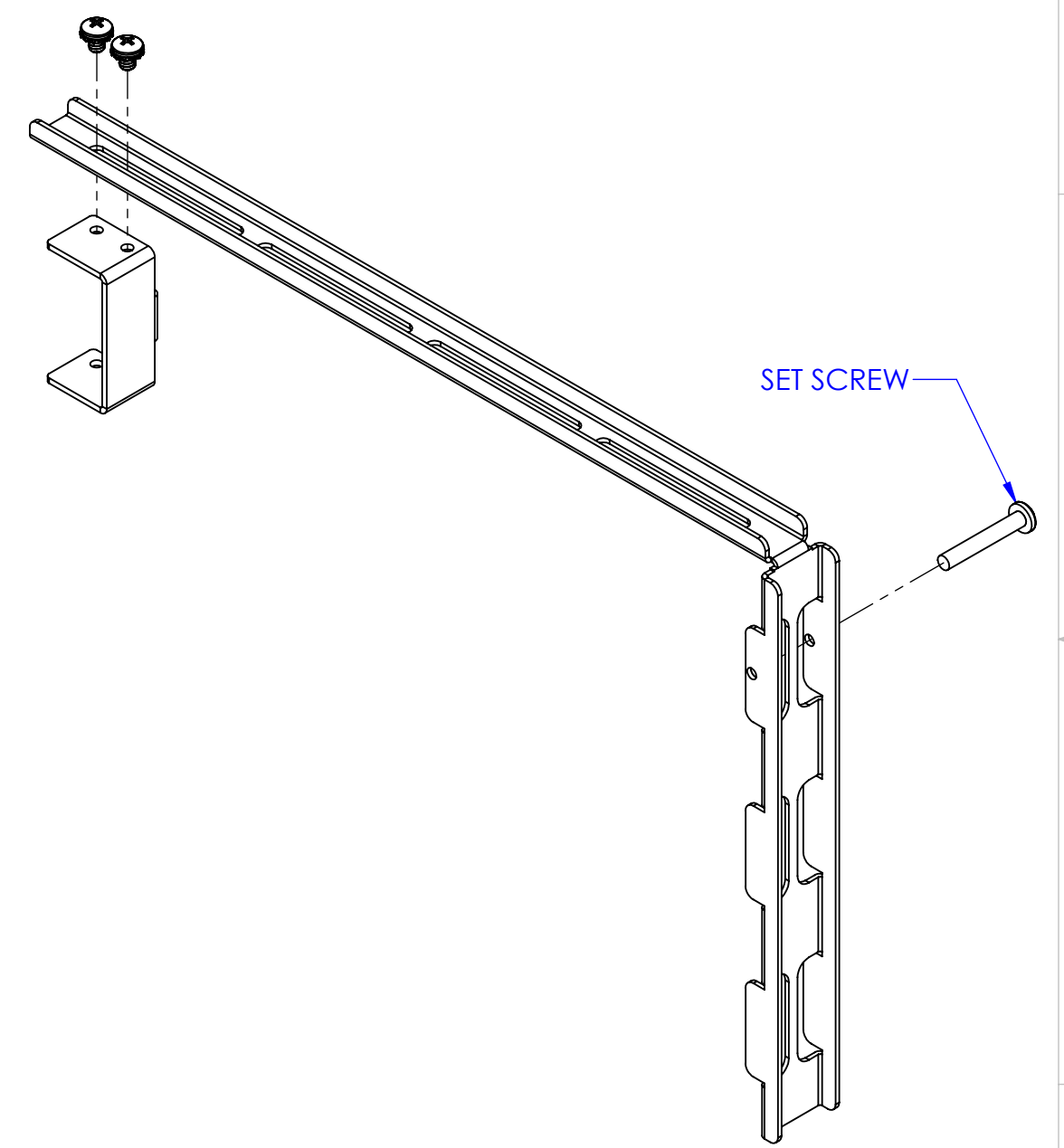
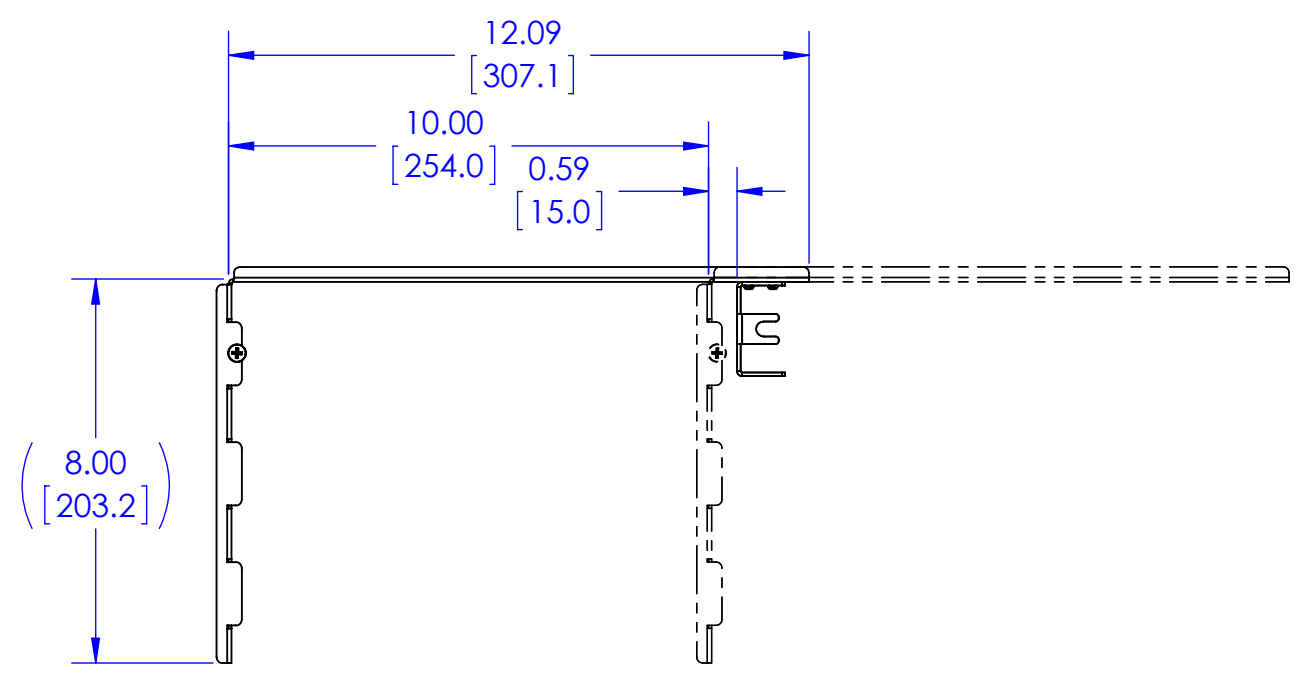
HARD MOUNTING SLOT

VEE FOR SCREW CENTERING

THE INFORMATION AND DESIGNS CONTAINED IN THIS DRAWING ARE CONFIDENTIAL AND THE PROPRIETARY PROPERTY OF MILESTONE AV TECHNOLOGIES NEITHER THIS DESIGN NOR ANY INFORMATION CONTAINED IN THIS DRAWING MAY BE REPRODUCED OR DISCLOSED TO OTHERS WITHOUT THE EXPRESS WRITTEN CONSENT OF MILESTONE AV TECHNOLOGIES.

CAD GENERATED DRAWING, DO NOT MANUALLY UPDATE.		
DRAWN BY	HEF	3/2/2017
ENG APPROVAL		
MFG APPROVAL		
QA APPROVAL		
SHEET 1 OF 3		SCALE 1:1

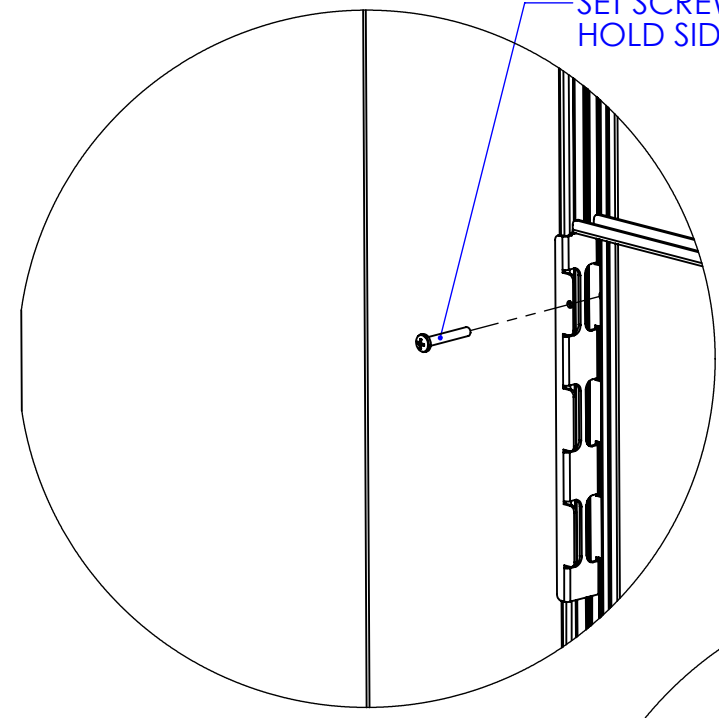
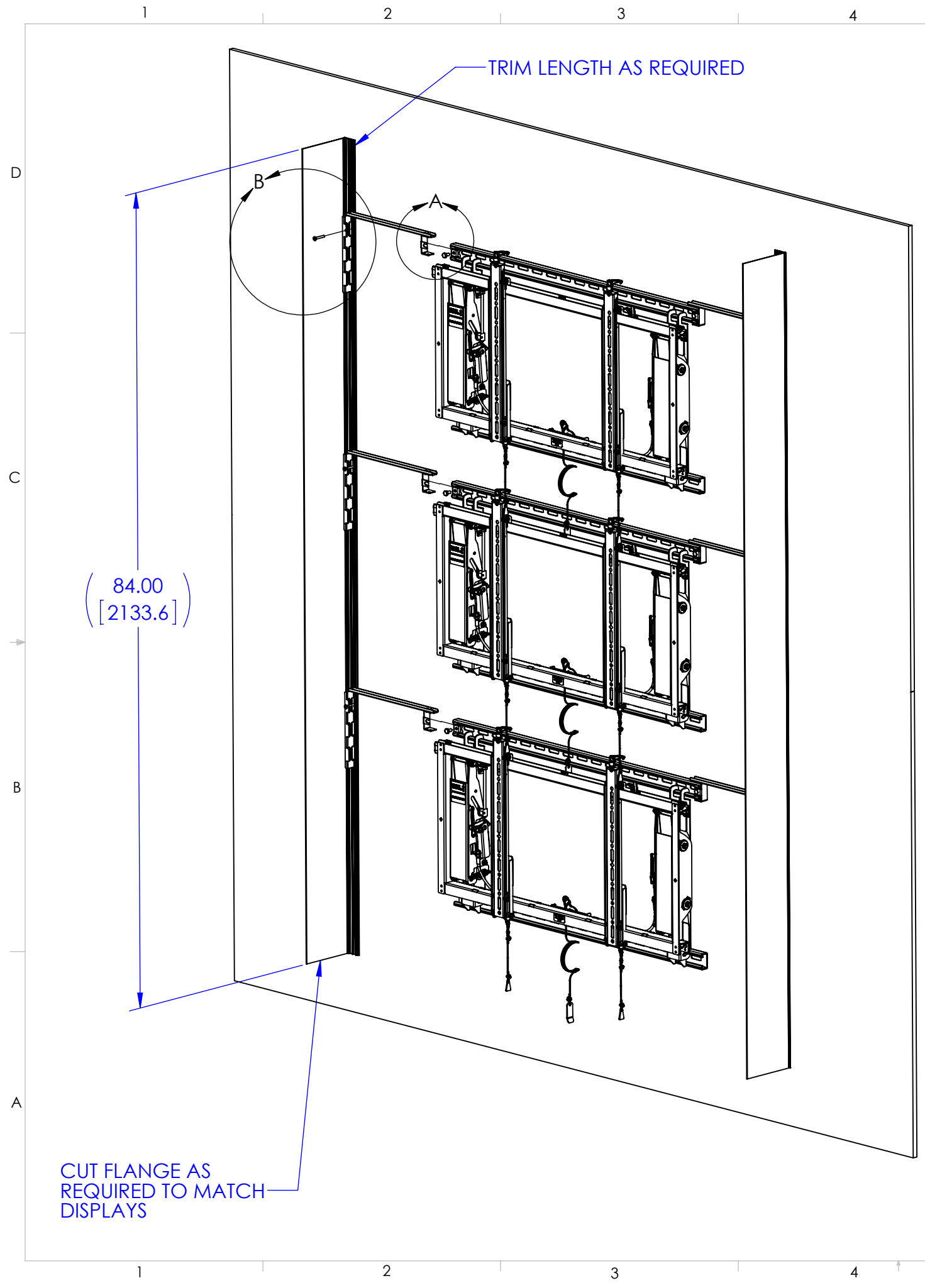
	6436 CITY WEST PKWY EDEN PRAIRIE MN, 55344 PHONE: 866-977-3901 FAX: 877-894-6918	
	DESCRIPTION CONNEXSYS SIDE COVER SYSTEM	
MODEL NO. CSACB2 / CSACK06B		REV. 01
SIZE B	DWG. NO. TECH-000838	



CONFIGURED FOR BOTTOM RAIL

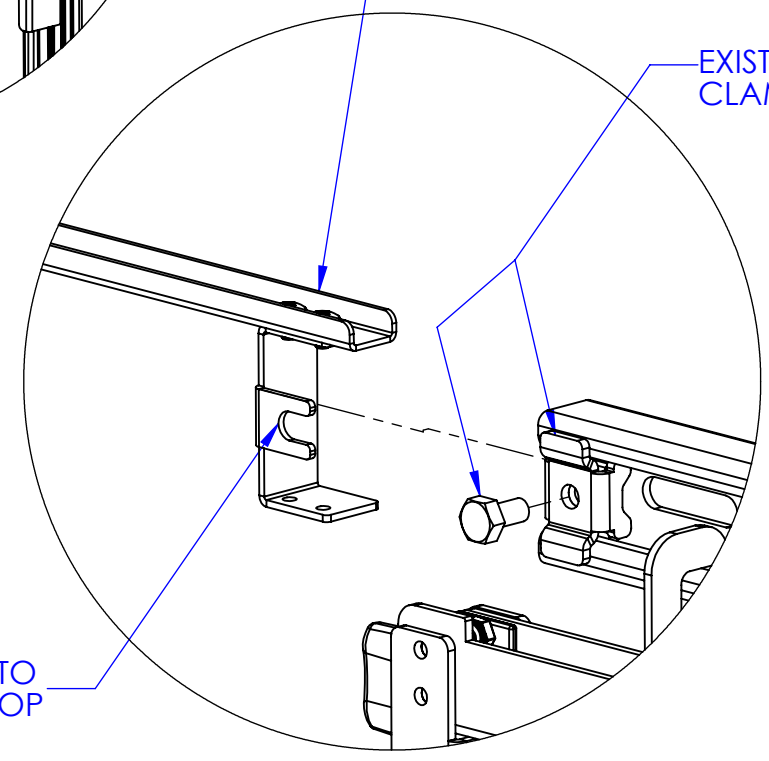
THE INFORMATION AND DESIGNS CONTAINED IN THIS DRAWING ARE CONFIDENTIAL AND THE PROPRIETARY PROPERTY OF MILESTONE AV TECHNOLOGIES NEITHER THIS DESIGN NOR ANY INFORMATION CONTAINED IN THIS DRAWING MAY BE REPRODUCED OR DISCLOSED TO OTHERS WITHOUT THE EXPRESS WRITTEN CONSENT OF MILESTONE AV TECHNOLOGIES.

CAD GENERATED DRAWING, DO NOT MANUALLY UPDATE.			6436 CITY WEST PKWY EDEN PRAIRIE MN, 55344 PHONE: 866-977-3901 FAX: 877-894-6918			
DRAWN BY	HEF	3/2/2017				
ENG APPROVAL			DESCRIPTION CONNEXSYS SIDE COVER SYSTEM			
MFG APPROVAL						
QA APPROVAL			MODEL NO. CSACB2 / CSACK06B			
SHEET 2 OF 3					SCALE	SIZE
			1:4	B	TECH-000838	01



SET SCREW, TIGHTEN AS REQUIRED TO HOLD SIDE COVER MATERIAL

DETAIL B
SCALE 1 : 4



ADJUST EXTENSION POSITION AS REQUIRED, SEE SHEET 2

EXISTING STOP CLAMP

CLEAT INSTALLS TO EXISTING END STOP

DETAIL A
SCALE 1 : 2
TYPICAL 3 PLACES

THE INFORMATION AND DESIGNS CONTAINED IN THIS DRAWING ARE CONFIDENTIAL AND THE PROPRIETARY PROPERTY OF MILESTONE AV TECHNOLOGIES NEITHER THIS DESIGN NOR ANY INFORMATION CONTAINED IN THIS DRAWING MAY BE REPRODUCED OR DISCLOSED TO OTHERS WITHOUT THE EXPRESS WRITTEN CONSENT OF MILESTONE AV TECHNOLOGIES.

CAD GENERATED DRAWING, DO NOT MANUALLY UPDATE.			CHIEF		6436 CITY WEST PKWY EDEN PRAIRIE MN, 55344 PHONE: 866-977-3901 FAX: 877-894-6918
DRAWN BY	HEF	3/2/2017	DESCRIPTION CONNEXSYS SIDE COVER SYSTEM		
ENG APPROVAL			MODEL NO. CSACB2 / CSACK06B		
MFG APPROVAL			SIZE	DWG. NO.	REV.
QA APPROVAL			B	TECH-000838	01
SHEET 3 OF 3			SCALE		
			1:12		