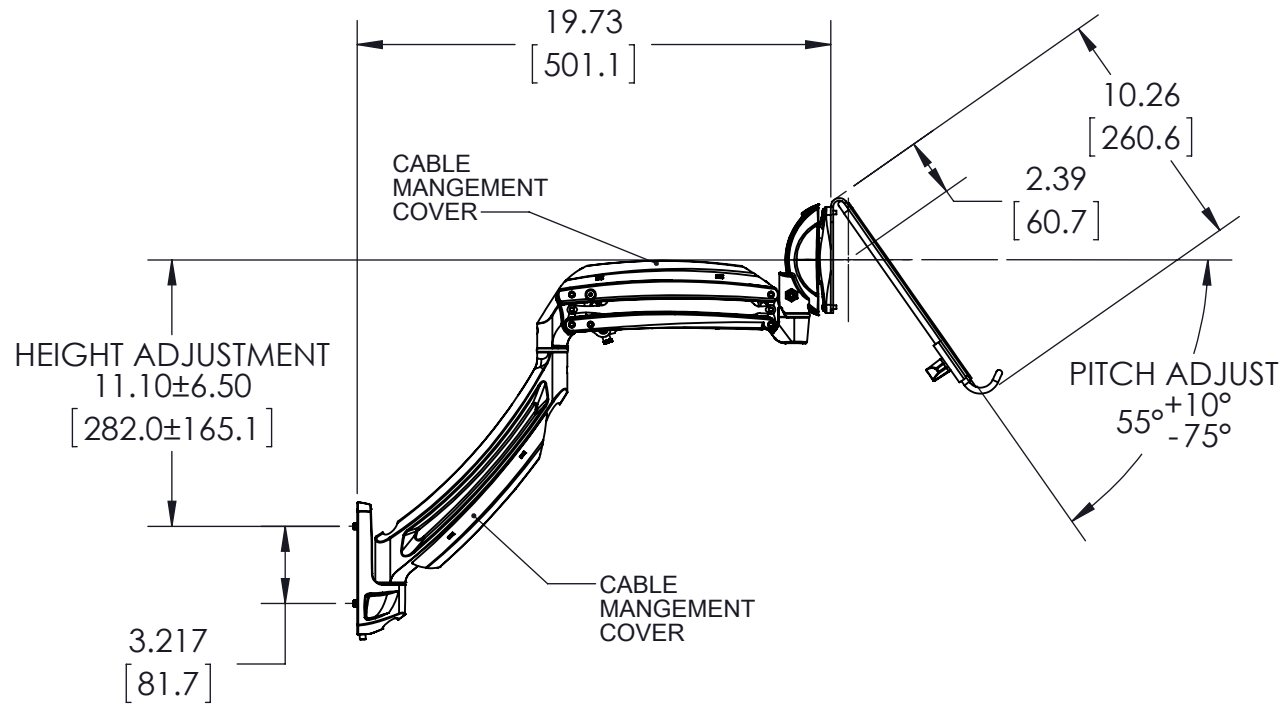
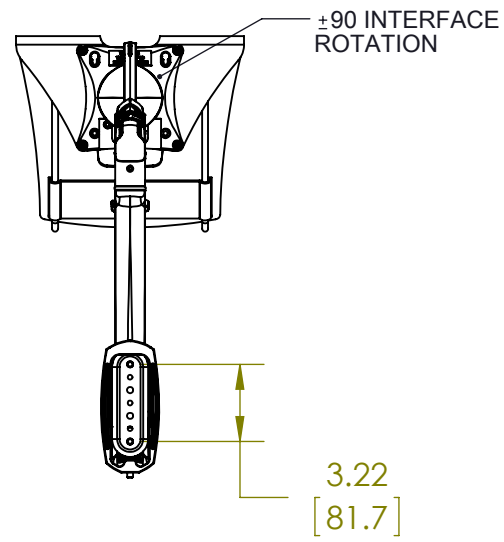
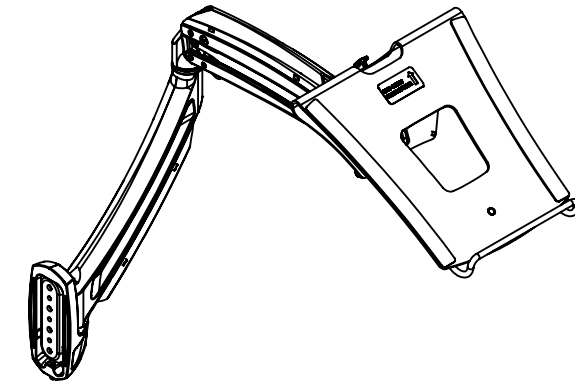
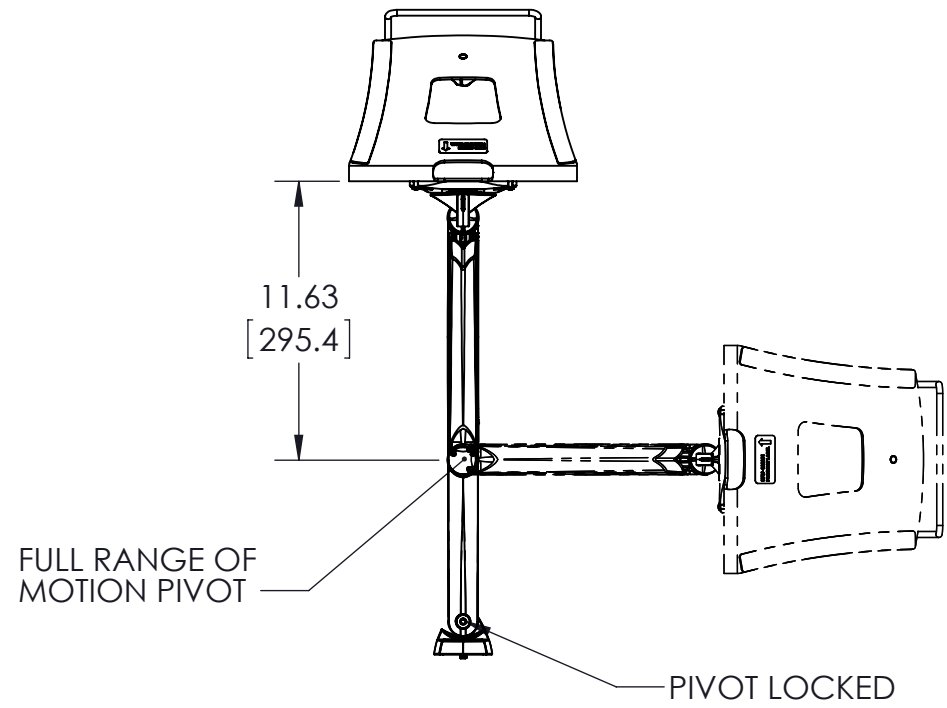


CAPACITY: 15 LBS

STATUS: MJS 05/10/2013 - RELEASED ON ECO: 500007226

TECH-000116



THE INFORMATION AND DESIGNS CONTAINED IN THIS DRAWING ARE CONFIDENTIAL AND THE PROPRIETARY PROPERTY OF MILESTONE AV TECHNOLOGIES NEITHER THIS DESIGN NOR ANY INFORMATION CONTAINED IN THIS DRAWING MAY BE REPRODUCED OR DISCLOSED TO OTHERS WITHOUT THE EXPRESS WRITTEN CONSENT OF MILESTONE AV TECHNOLOGIES.

| | | | | |
|--|-----|---------------------|---|--------------------------------|
| CAD GENERATED DRAWING, DO NOT MANUALLY UPDATE. | | | | |
| DRAWN BY | MJS | 9/6/2012 | DESCRIPTION IDEA CART LAPTOP TRAY | |
| ENG APPROVAL | MJS | 9/6/2012 | | |
| MFG APPROVAL | | | | |
| QA APPROVAL | | | MODEL NO. 22518 / 11830028 | |
| SHEET 1 OF 1 | | SCALE 1:8 | SIZE B | DWG. NO. TECH-000116 |
| | | | | REV. 01 |