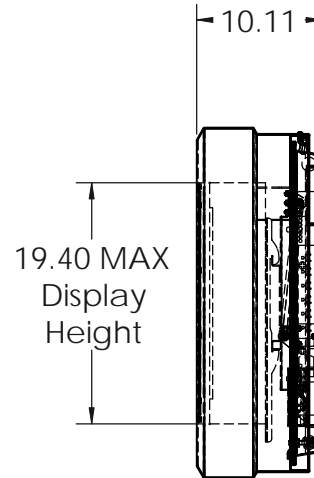
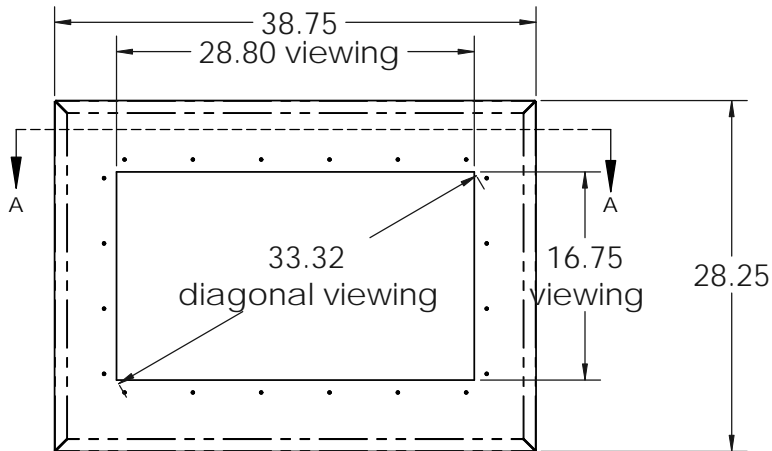
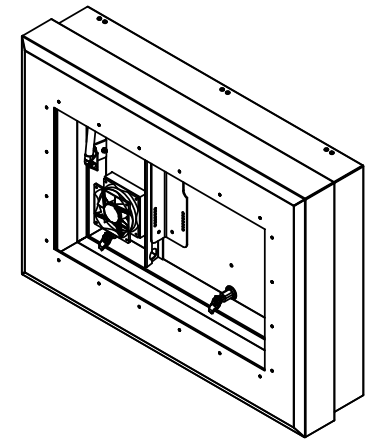


SECTION A-A

4.50 MAX display depth  
allows air space to circulate  
at front of window



19.40 MAX  
Display  
Height

Enclosure rear has typical  
mounting pattern as  
illustrated on sheet 2

Latch key must have  
rear access

Description:  
Enclosure body is aluminum with a painted textured finish  
using polyester powder paint.  
Viewing window is 4mm anti-reflective tempered glass. The  
cover is secured with 4 tubular keyed compression latches,  
accessible from the rear.



CHIEF MANUFACTURING INC.  
MOUNT ORDER NUMBER IS DGC-32S  
PHONE: 1-800-582-6480

SHEET SCALE = 1:10

THE INFORMATION AND DESIGNS CONTAINED  
IN THIS DRAWING ARE CONFIDENTIAL AND THE  
PROPRIETARY PROPERTY OF CHIEF MFG., INC.  
NEITHER THIS DESIGN NOR ANY INFORMATION  
CONTAINED IN THIS DRAWING MAY BE  
REPRODUCED OR DISCLOSED TO OTHERS  
WITHOUT THE EXPRESS WRITTEN CONSENT OF  
CHIEF MFG., INC.

**CHIEF** MANUFACTURING, INC.  
8401 EAGLE CREEK PKWY STE. 700, SAVAGE, MN 55378  
1.800.582.6480 \* FAX 1.877.894.6918

TITLE  
**CUSTOMER PRINT  
DGC-32S**

SIZE DWG. NO.  
**B DGC-32S**

DGC-32S

D

D

C

C

B

B

A

A

1 2 3 4 5 6 7 8

DGC-32S

D

D

C

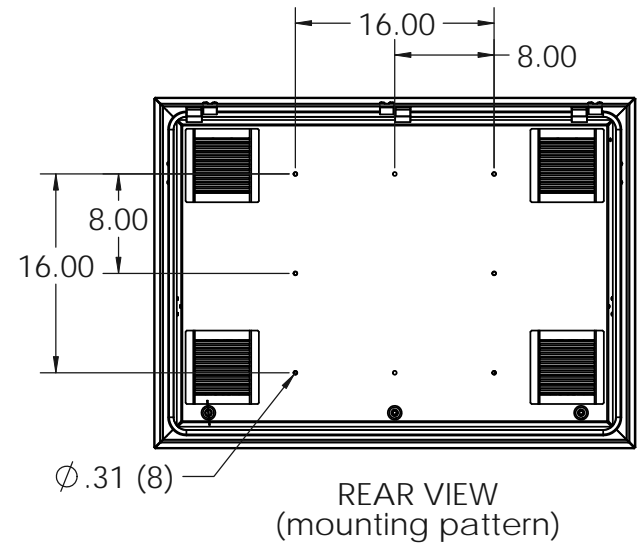
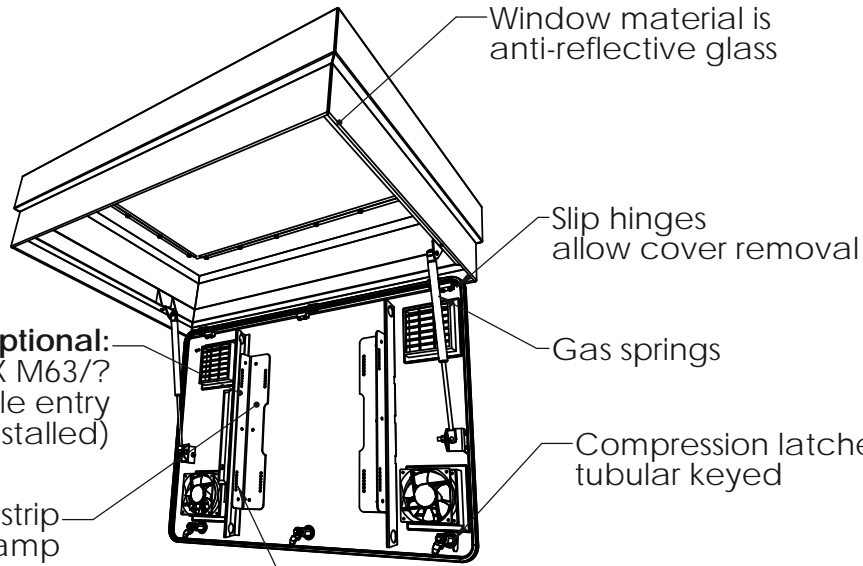
C

B

B

A

A



CHIEF MANUFACTURING INC.  
MOUNT ORDER NUMBER IS DGC-32S  
PHONE: 1-800-582-6480

SHEET SCALE = 1:10

THE INFORMATION AND DESIGNS CONTAINED IN THIS DRAWING ARE CONFIDENTIAL AND THE PROPRIETARY PROPERTY OF CHIEF MFG., INC. NEITHER THIS DESIGN NOR ANY INFORMATION CONTAINED IN THIS DRAWING MAY BE REPRODUCED OR DISCLOSED TO OTHERS WITHOUT THE EXPRESS WRITTEN CONSENT OF CHIEF MFG., INC.

**CHIEF** MANUFACTURING, INC.  
8401 EAGLE CREEK PKWY STE. 700, SAVAGE, MN 55378  
1.800.582.6480 \* FAX 1.877.894.6918

TITLE  
**CUSTOMER PRINT  
DGC-32S**

SIZE DWG. NO.  
**B DGC-32S**

1 2 3 4 5 6 7 8