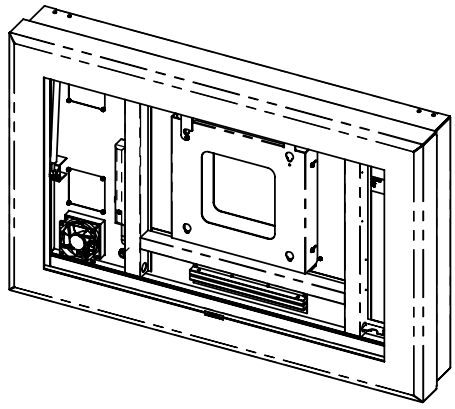
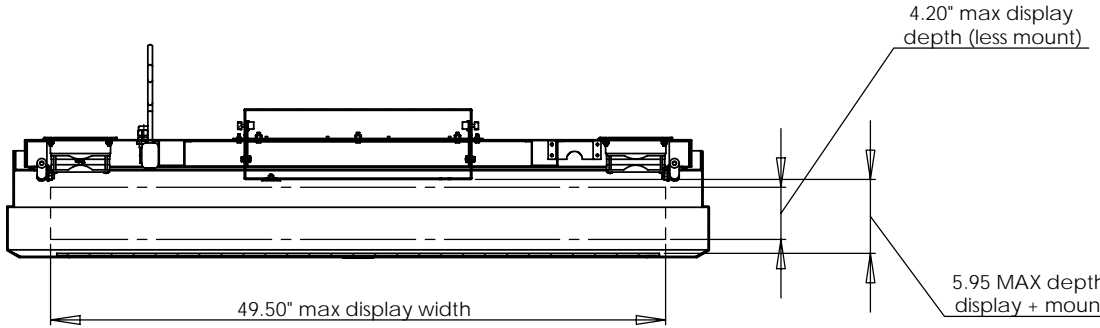
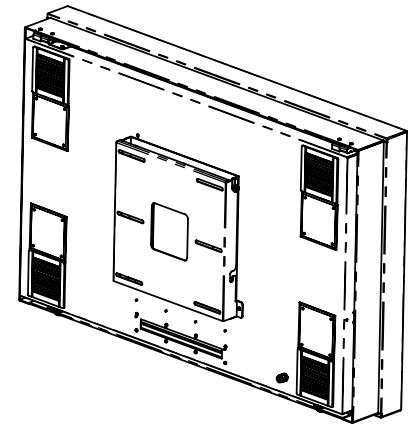
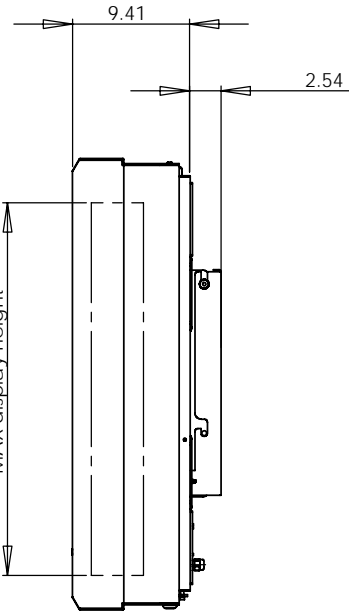
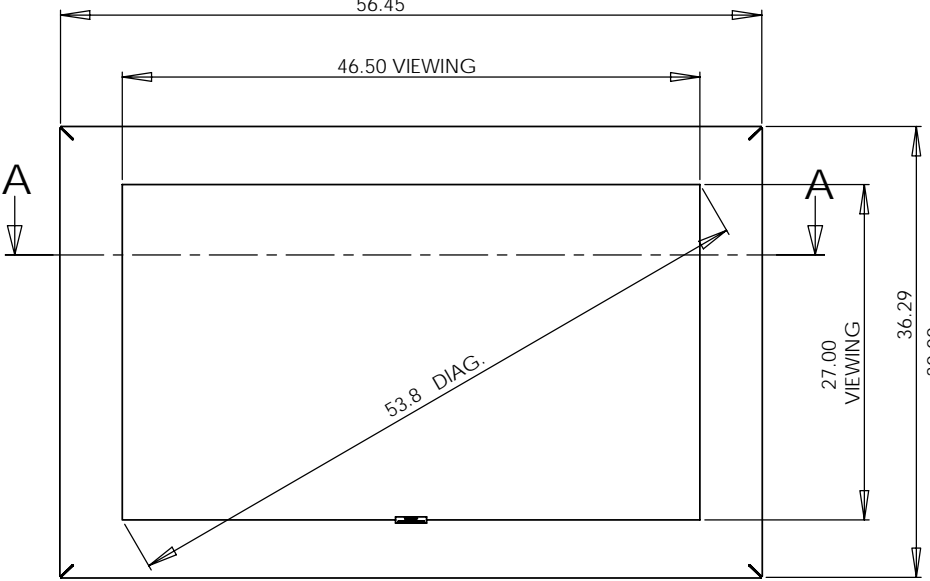


1 2 3 4 5 6 7 8



SECTION A-A  
56.45



CHIEF MANUFACTURING INC.  
MOUNT ORDER NUMBER IS DGC-50  
PHONE: 1-800-582-6480

SHEET SCALE = 1:10

THE INFORMATION AND DESIGNS CONTAINED IN THIS DRAWING ARE CONFIDENTIAL AND THE PROPRIETARY PROPERTY OF CHIEF MFG., INC. NEITHER THIS DESIGN NOR ANY INFORMATION CONTAINED IN THIS DRAWING MAY BE REPRODUCED OR DISCLOSED TO OTHERS WITHOUT THE EXPRESS WRITTEN CONSENT OF CHIEF MFG., INC.

**CHIEF** MANUFACTURING, INC.  
8401 EAGLE CREEK PKWY STE. 700, SAVAGE, MN 55378  
1.800.582.6480 \* FAX 1.877.894.6918

TITLE  
**CUSTOMER PRINT  
DGC-50**

SIZE DWG. NO.  
**B DGC-50**

1 2 3 4 5 6 7 8

D  
C  
B  
A

DGC-50  
D  
C  
B  
A

**Specifications:**

Welded steel rear panel and display positioning brackets, painted black, include fixed wall mounting capability and are spaced to allow cooling from rear mounted fan assemblies.

Aluminum and tempered glass front cover assembly is standard, providing reduced weight and is removable for easier installation. (Polycarbonate window option\*)

Front cover, with textured black powder paint finish as standard, includes "gas spring" lift assist, key locking latches, and complete gasket seal to rear panel when closed.

Two 100 CFM filtered fan assemblies, provide airflow, positive internal pressure, and heat exhaust at top filtered exits.

Split panel cable access allows multiple video and speaker connections through its adjustable dust tight seal.

Multi-outlet power strip is provided with 10 foot oil resistant cord connected through a separate cord grip and allows 120 VAC, 15 amp service. (Fan systems use one outlet)

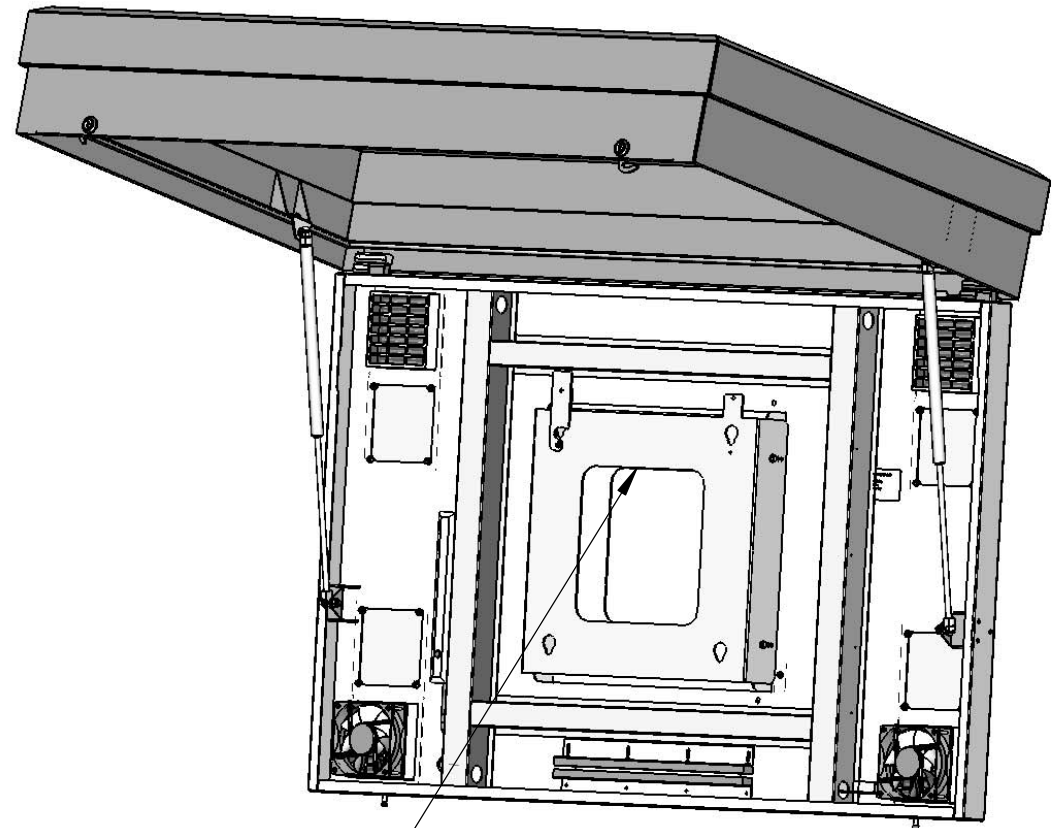
Enclosure can be rotated to support display in "PORTRAIT" orientation at enclosure installation. (Hinge on right)

**Additional requirement:\***

Display model specific "mount" required for installation to viewstation support bracket. (ref Chief model PSB-xxxx)

**Options:**

- IR receiver/distribution kit
- Polycarbonate window (\*must be specified at purchase)
- Fan Kits, (additional air flow for high heat environments)
- Post assembly, support
- Suspension assembly, support



\*Mount adapter required between display and enclosure support brackets. (Order seperately, by display model number)



**CHIEF MANUFACTURING INC.**  
MOUNT ORDER NUMBER IS DGI-50  
PHONE: 1-800-582-6480

SHEET SCALE = 1:20

THE INFORMATION AND DESIGNS CONTAINED IN THIS DRAWING ARE CONFIDENTIAL AND THE PROPRIETARY PROPERTY OF CHIEF MFG., INC. NEITHER THIS DESIGN NOR ANY INFORMATION CONTAINED IN THIS DRAWING MAY BE REPRODUCED OR DISCLOSED TO OTHERS WITHOUT THE EXPRESS WRITTEN CONSENT OF CHIEF MFG., INC.

**CHIEF** MANUFACTURING, INC.  
8401 EAGLE CREEK PKWY STE. 700, SAVAGE, MN 55378  
1.800.582.6480 \* FAX 1.877.894.6918

TITLE  
**CUSTOMER PRINT  
DGI-50**

SEE DWG. NO.  
**B DGI-50**

**Specifications:**

Welded steel rear panel and display positioning brackets, painted black, include fixed wall mounting capability and are spaced to allow cooling from rear mounted fan assemblies.

Aluminum and tempered glass front cover assembly is standard, providing reduced weight and is removable for easier installation. (Polycarbonate window option\*)

Front cover, with textured black powder paint finish as standard, includes "gas spring" lift assist, key locking latches, and complete gasket seal to rear panel when closed.

Two 100 CFM filtered fan assemblies, provide airflow, positive internal pressure, and heat exhaust at top filtered exits.

Split panel cable access allows multiple video and speaker connections through its adjustable dust tight seal.

Multi-outlet power strip is provided with 10 foot oil resistant cord connected through a separate cord grip and allows 120 VAC, 15 amp service. (Fan systems use one outlet)

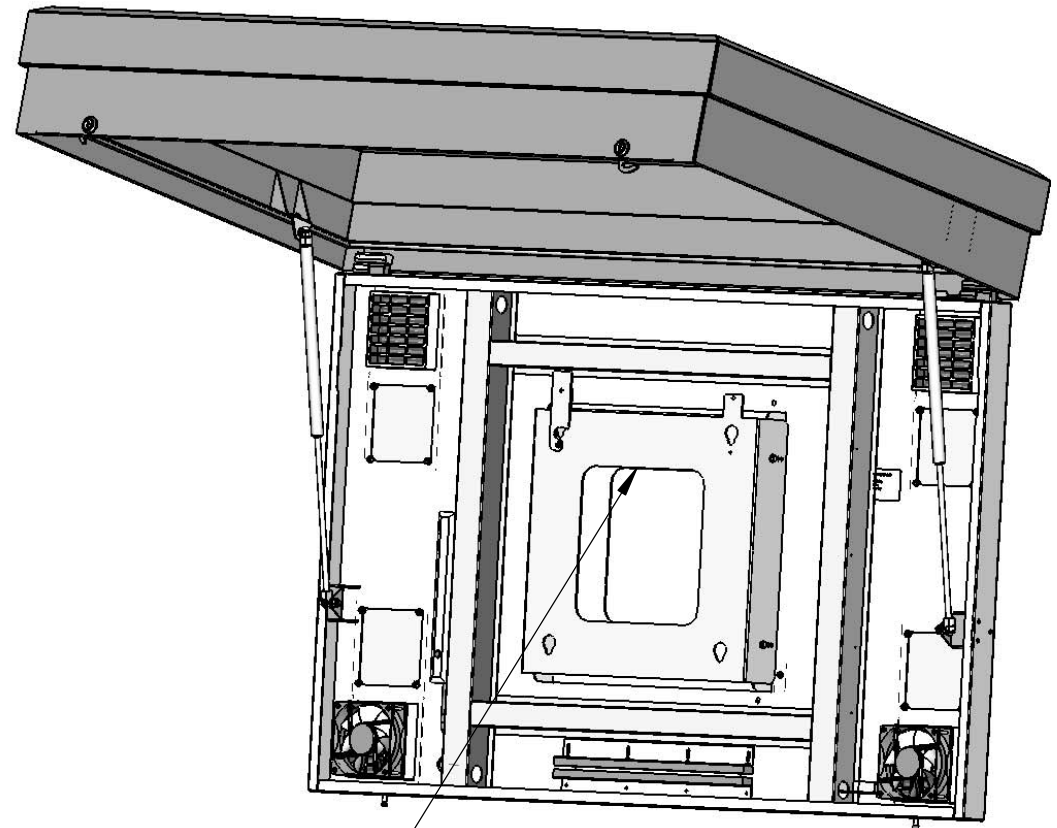
Enclosure can be rotated to support display in "PORTRAIT" orientation at enclosure installation. (Hinge on right)

**Additional requirement:\***

Display model specific "mount" required for installation to viewstation support bracket. (ref Chief model PSB-xxxx)

**Options:**

- IR receiver/distribution kit
- Polycarbonate window (\*must be specified at purchase)
- Fan Kits, (additional air flow for high heat environments)
- Post assembly, support
- Suspension assembly, support



\*Mount adapter required between display and enclosure support brackets. (Order seperately, by display model number)



CHIEF MANUFACTURING INC.  
MOUNT ORDER NUMBER IS DGI-50  
PHONE: 1-800-582-6480

SHEET SCALE = 1:20

THE INFORMATION AND DESIGNS CONTAINED IN THIS DRAWING ARE CONFIDENTIAL AND THE PROPRIETARY PROPERTY OF CHIEF MFG., INC. NEITHER THIS DESIGN NOR ANY INFORMATION CONTAINED IN THIS DRAWING MAY BE REPRODUCED OR DISCLOSED TO OTHERS WITHOUT THE EXPRESS WRITTEN CONSENT OF CHIEF MFG., INC.

CHIEF MANUFACTURING, INC.  
8401 EAGLE CREEK PKWY STE. 700, SAVAGE, MN 55378  
1.800.582.6480 \* FAX 1.877.894.6918

TITLE  
**CUSTOMER PRINT  
DGI-50**

SEE DWG. NO.  
**B DGI-50**