

Open area at the top and bottom of the enclosure brackets must remain clear to allow unit access and the air flow needed for air conditioner operation.

DO NOT obstruct these openings or the clear space behind the AC at installation



CHIEF MANUFACTURING INC.
MOUNT ORDER NUMBER IS DGCA-50
PHONE: 1-800-582-6480

SHEET SCALE = 1:12

THE INFORMATION AND DESIGNS CONTAINED IN THIS DRAWING ARE CONFIDENTIAL AND THE PROPRIETARY PROPERTY OF CHIEF MFG., INC. NEITHER THIS DESIGN NOR ANY INFORMATION CONTAINED IN THIS DRAWING MAY BE REPRODUCED OR DISCLOSED TO OTHERS WITHOUT THE EXPRESS WRITTEN CONSENT OF CHIEF MFG., INC.

CHIEF MANUFACTURING, INC.
8401 EAGLE CREEK PKWY STE. 700, SAVAGE, MN 55378
1.800.582.6480 * FAX 1.877.894.6918

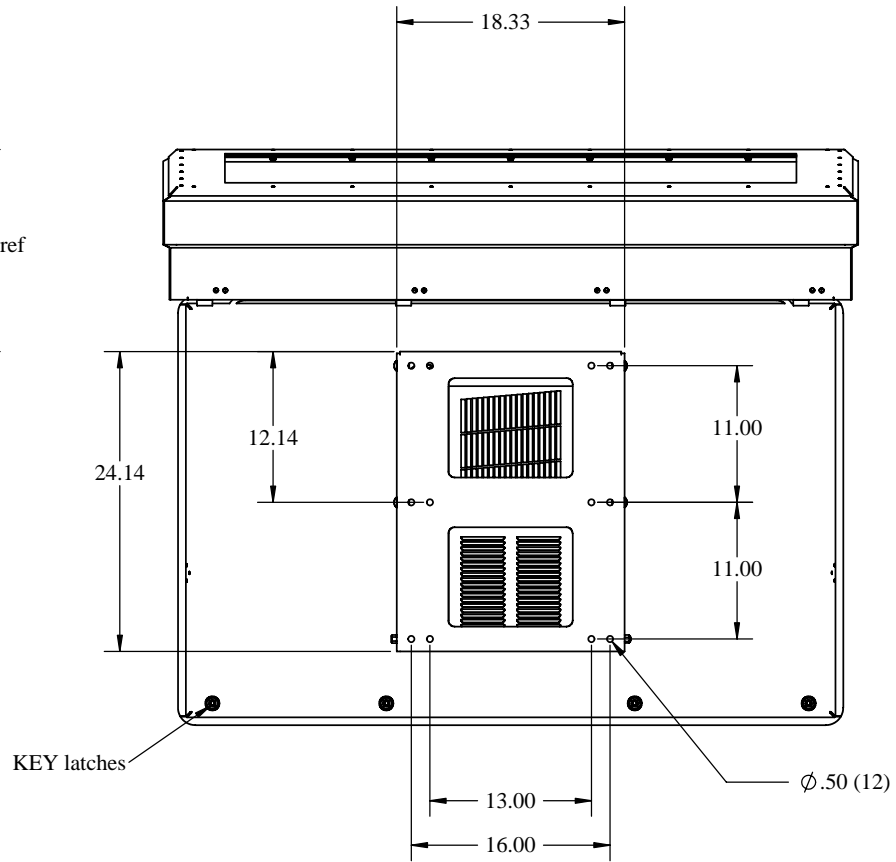
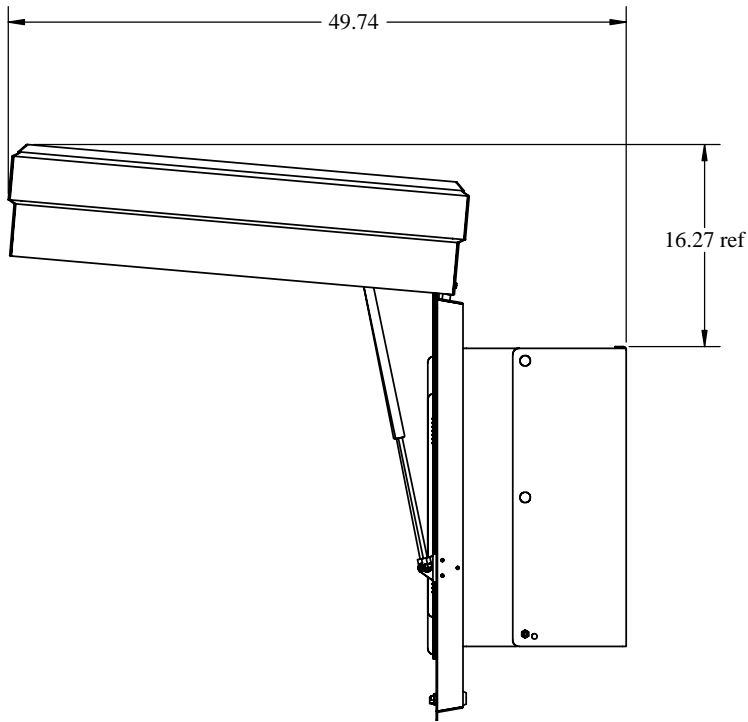
TITLE
CUSTOMER PRINT
DGCA-50 Sheet 1 of 2

SIZE DWG. NO.
B DGCA-50

1 2 3 4 5 6 7 8

D
C
B
A

DGCA-50
D
C
B
A



REAR VIEW wall mounting plate



CHIEF MANUFACTURING INC.
MOUNT ORDER NUMBER IS DGCA-50
PHONE: 1-800-582-6480

SHEET SCALE = 1:10

THE INFORMATION AND DESIGNS CONTAINED IN THIS DRAWING ARE CONFIDENTIAL AND THE PROPRIETARY PROPERTY OF CHIEF MFG., INC. NEITHER THIS DESIGN NOR ANY INFORMATION CONTAINED IN THIS DRAWING MAY BE REPRODUCED OR DISCLOSED TO OTHERS WITHOUT THE EXPRESS WRITTEN CONSENT OF CHIEF MFG., INC.

CHIEF MANUFACTURING, INC.
8401 EAGLE CREEK PKWY STE. 700, SAVAGE, MN 55378
1.800.582.6480 * FAX 1.877.894.6918

TITLE
CUSTOMER PRINT
DGCA-50 Sheet 2 of 2

SIZE DWG. NO.
B DGCA-50

1 2 3 4 5 6 7 8