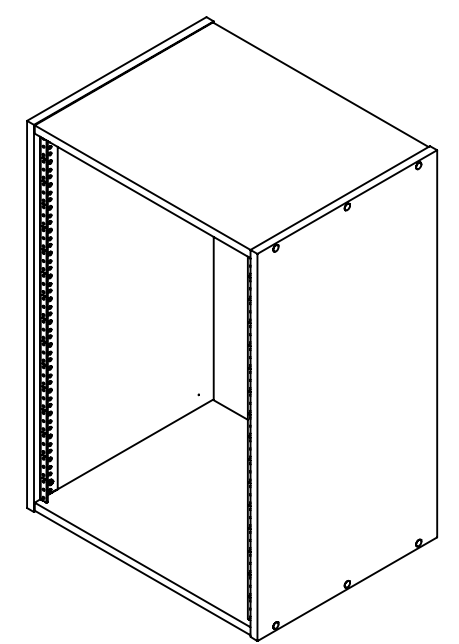
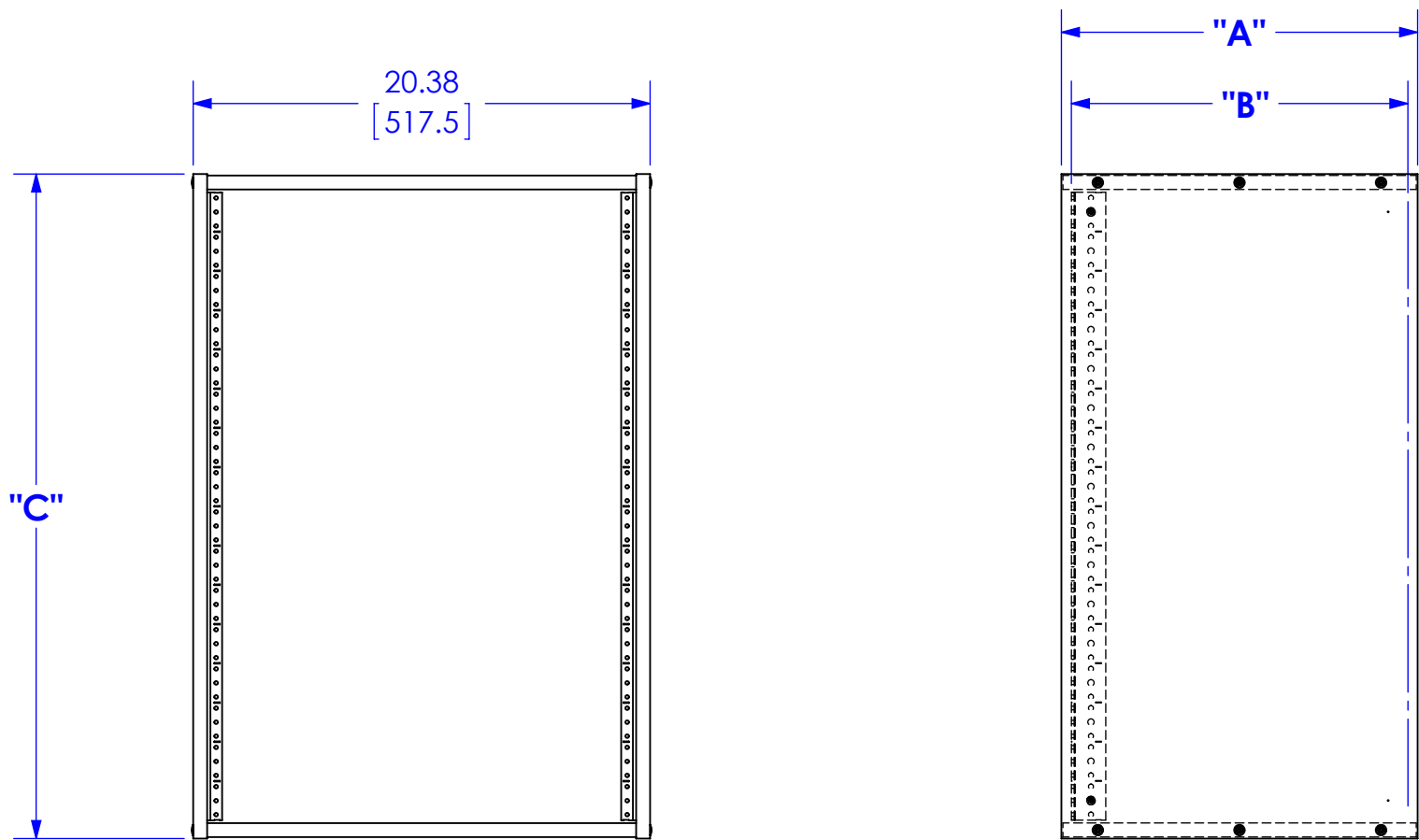


MODEL	RACK HEIGHT	DEPTH "A"	USABLE DEPTH "B"	HEIGHT "C"	HEIGHT W/CASTERS
ER-4	4 SPACE	15.9 [403mm]	15 [381mm]	8.6 [219mm]	11.5 [292mm]
ER-6	6 SPACE	15.9 [403mm]	15 [381mm]	12.1 [308mm]	15.0 [381mm]
ER-8	8 SPACE	15.9 [403mm]	15 [381mm]	15.6 [397mm]	18.5 [470mm]
ER-10	10 SPACE	15.9 [403mm]	15 [381mm]	19.1 [486mm]	22.0 [559mm]
ER-12	12 SPACE	15.9 [403mm]	15 [381mm]	22.6 [574mm]	25.5 [648mm]
ER-14	14 SPACE	15.9 [403mm]	15 [381mm]	26.1 [664mm]	29.0 [737mm]
ER-16	16 SPACE	15.9 [403mm]	15 [381mm]	29.6 [753mm]	32.5 [825mm]
ER-20	20 SPACE	15.9 [403mm]	15 [381mm]	36.6 [930mm]	39.5 [1003mm]
ER-8-18	8 SPACES	17.9 [454mm]	17 [431mm]	15.6 [397mm]	18.5 [470mm]
ER-12-18	12 SPACES	17.9 [454mm]	17 [431mm]	22.6 [574mm]	25.5 [648mm]
ER-16-18	16 SPACES	17.9 [454mm]	17 [431mm]	29.6 [753mm]	32.5 [825mm]
ER-20-18	20 SPACES	17.9 [454mm]	17 [431mm]	36.6 [930mm]	39.5 [1003mm]



NOTE: ER-16 SHOWN



THE INFORMATION AND DESIGNS CONTAINED IN THIS DRAWING ARE CONFIDENTIAL AND THE PROPRIETARY PROPERTY OF MILESTONE AV TECHNOLOGIES NEITHER THIS DESIGN NOR ANY INFORMATION CONTAINED IN THIS DRAWING MAY BE REPRODUCED OR DISCLOSED TO OTHERS WITHOUT THE EXPRESS WRITTEN CONSENT OF MILESTONE AV TECHNOLOGIES.

CAD GENERATED DRAWING, DO NOT MANUALLY UPDATE.			CHIEF 6436 CITY WEST PKWY EDEN PRAIRIE MN, 55344 PHONE: 866-977-3901 FAX: 877-894-6918	
DRAWN BY	LRP	6/18/2012	DESCRIPTION ER RACK SERIES	
ENG APPROVAL	LRP	6/18/2012	MODEL NO. ER	
MFG APPROVAL			SCALE 1:8	
QA APPROVAL			SIZE B	DWG. NO. TECH-000071
SHEET 1 OF 1			REV. 00	