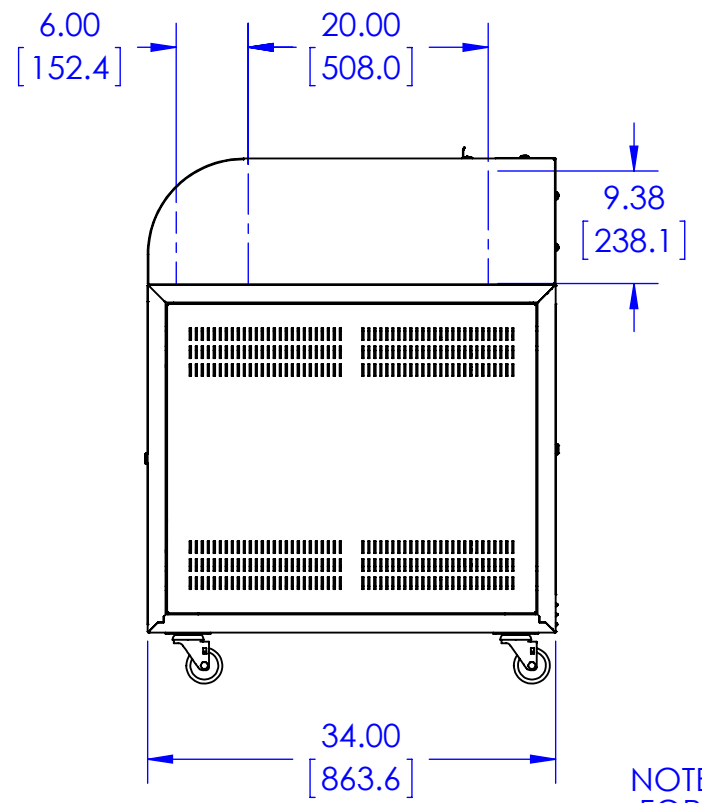
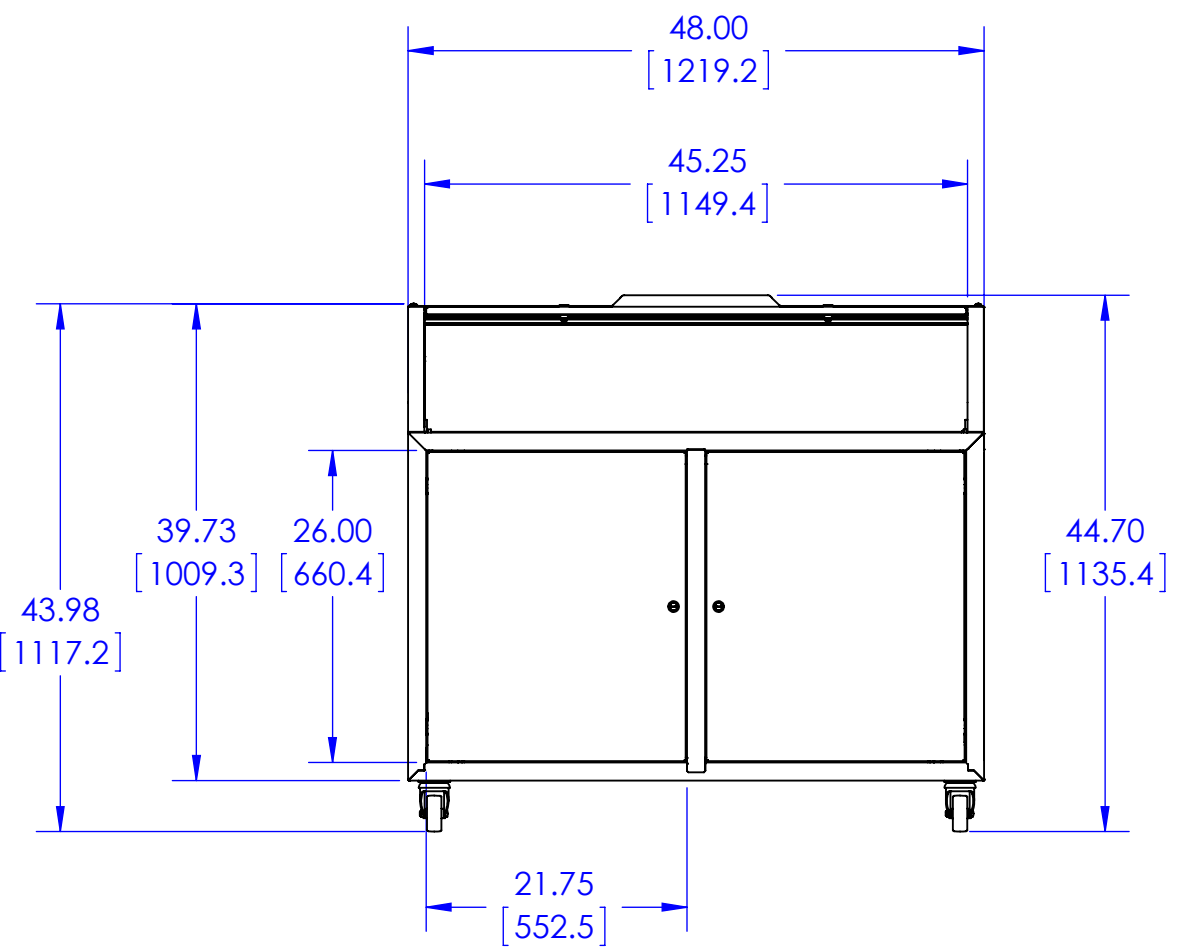
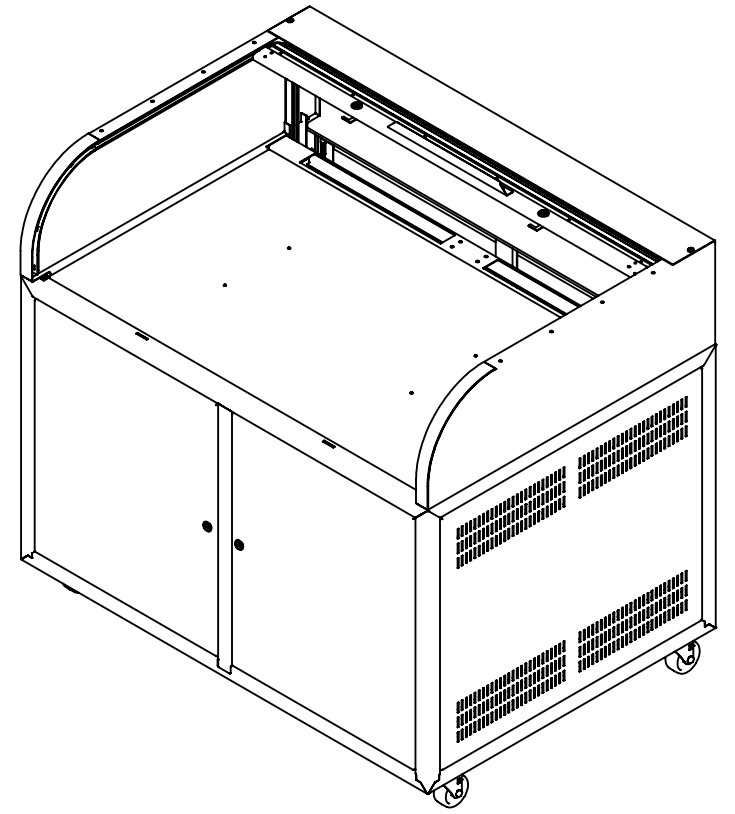
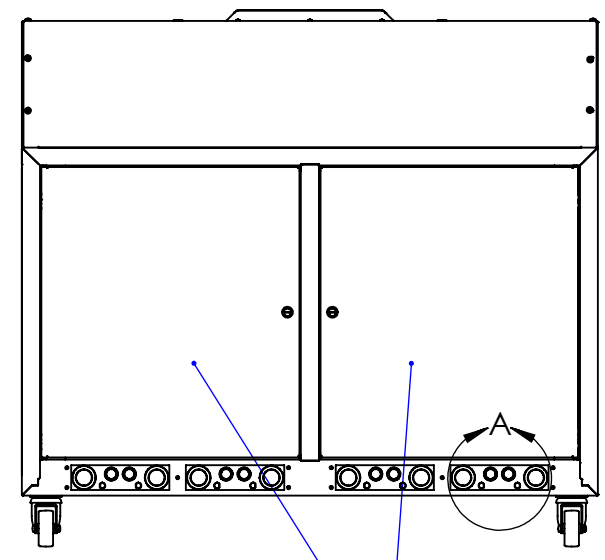


NOTE: AREA UNDER THE ROLLTOP
9.38" X 20.00" X 45.25"
WITH AN ADDITIONAL
6.00" UNDER THE FRONT ARC



NOTE: BACK DOORS CAN BE OPENED
FOR ACCESS TO INSTALLED EQUIPMENT



THE INFORMATION AND DESIGNS CONTAINED IN THIS DRAWING ARE CONFIDENTIAL AND THE PROPRIETARY PROPERTY OF MILESTONE AV TECHNOLOGIES NEITHER THIS DESIGN NOR ANY INFORMATION CONTAINED IN THIS DRAWING MAY BE REPRODUCED OR DISCLOSED TO OTHERS WITHOUT THE EXPRESS WRITTEN CONSENT OF MILESTONE AV TECHNOLOGIES.

CAD GENERATED DRAWING, DO NOT MANUALLY UPDATE.			CHIEF	6436 CITY WEST PKWY EDEN PRAIRIE MN, 55344 PHONE: 866-977-3901 FAX: 877-894-6918		
DRAWN BY	PLL	12/13/2012		DESCRIPTION	ERT-ST	
ENG APPROVAL			MODEL NO.	ERT-ST		
MFG APPROVAL			SIZE	DWG. NO.	REV.	
QA APPROVAL			SHEET 1 OF 1	SCALE 1:16	B TECH-000269	01