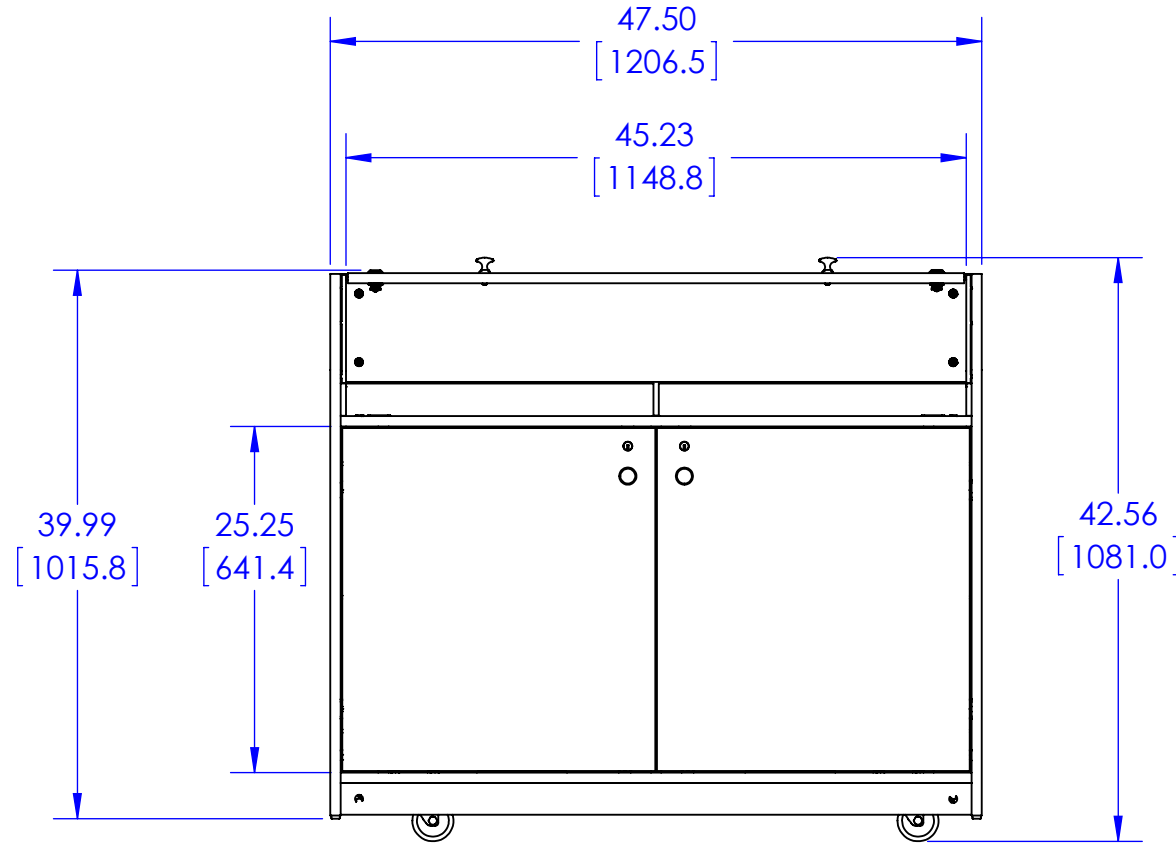
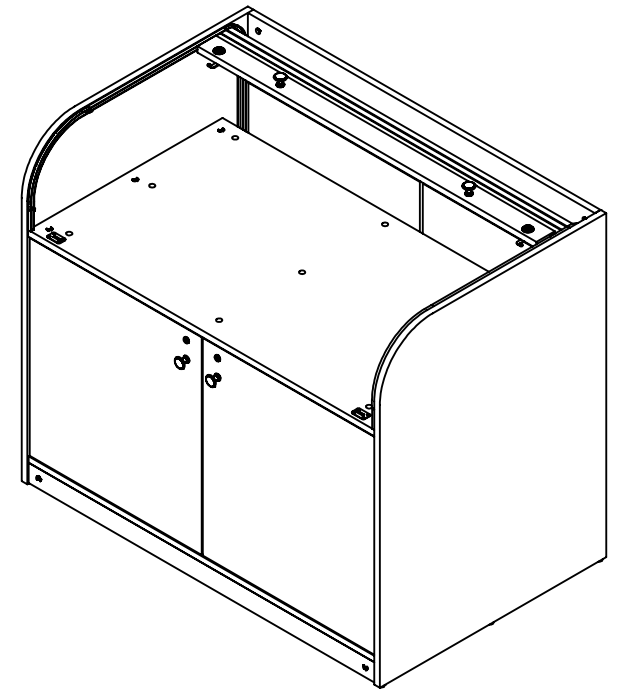


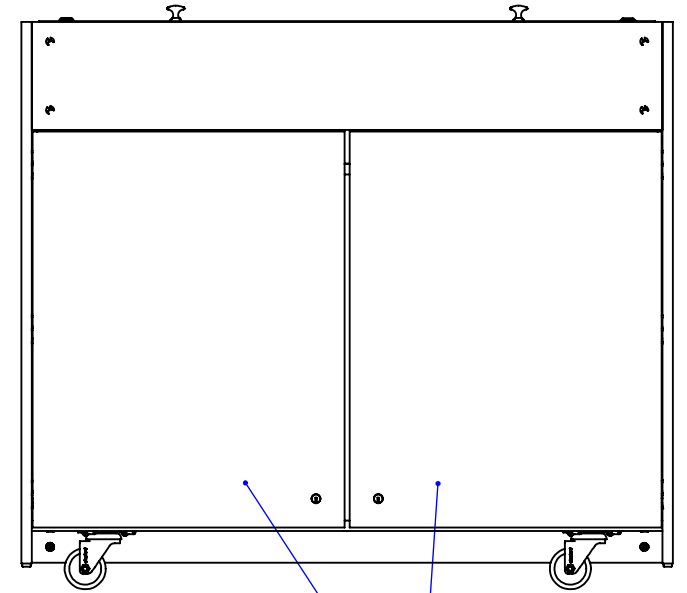
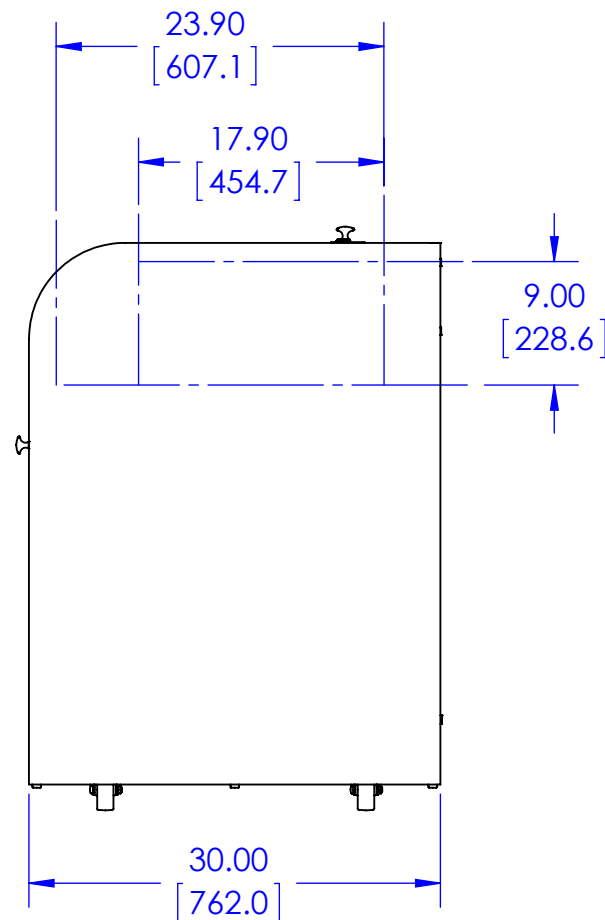
D
C
B
A

D
C
B
A

NOTE: AREA UNDER THE ROLLTOP
9.00" X 17.90" X 45.23"
WITH AN ADDITIONAL
6.00" UNDER THE FRONT ARC



ERT MODEL



NOTE: BACK DOORS CAN BE OPENED FOR ACCESS TO INSTALLED EQUIPMENT

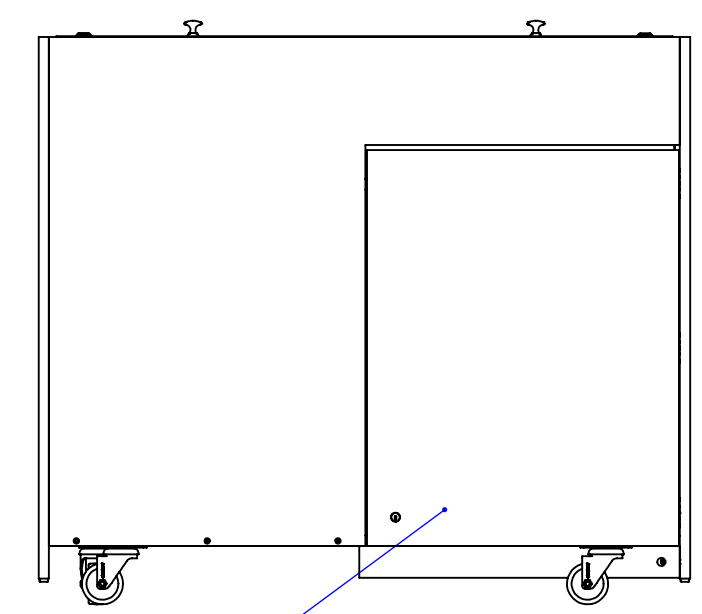
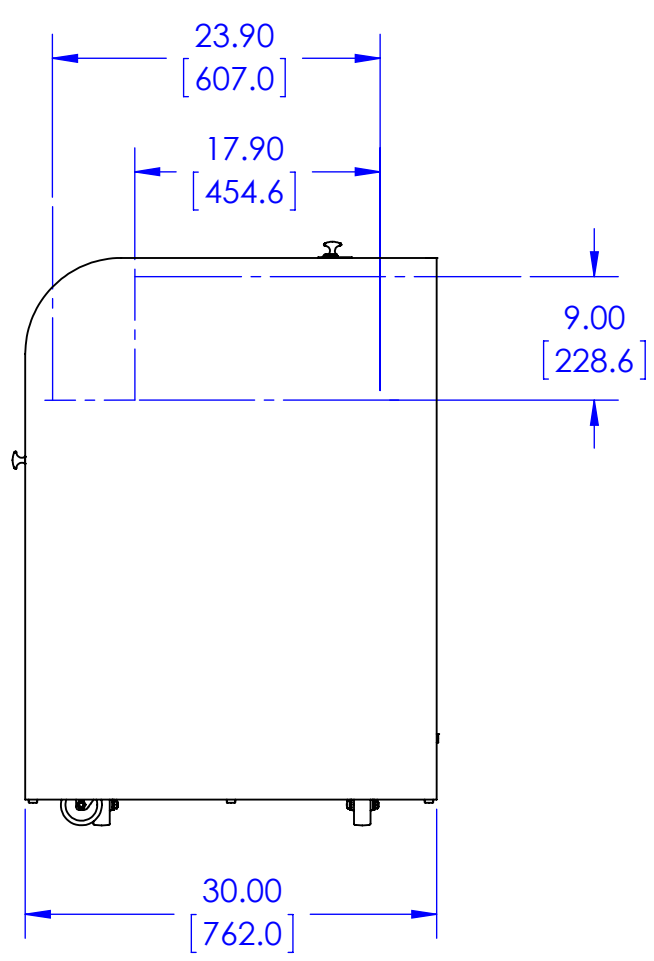
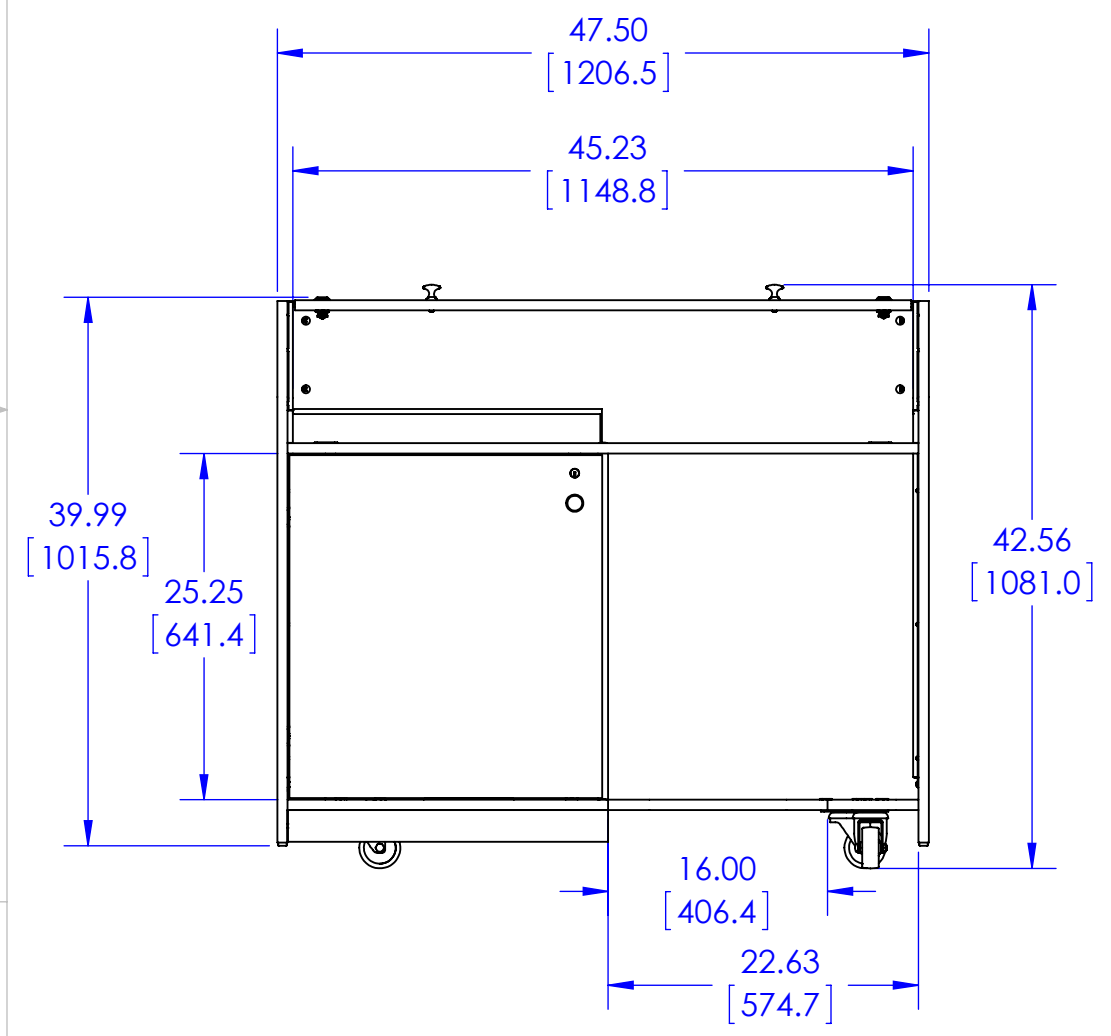
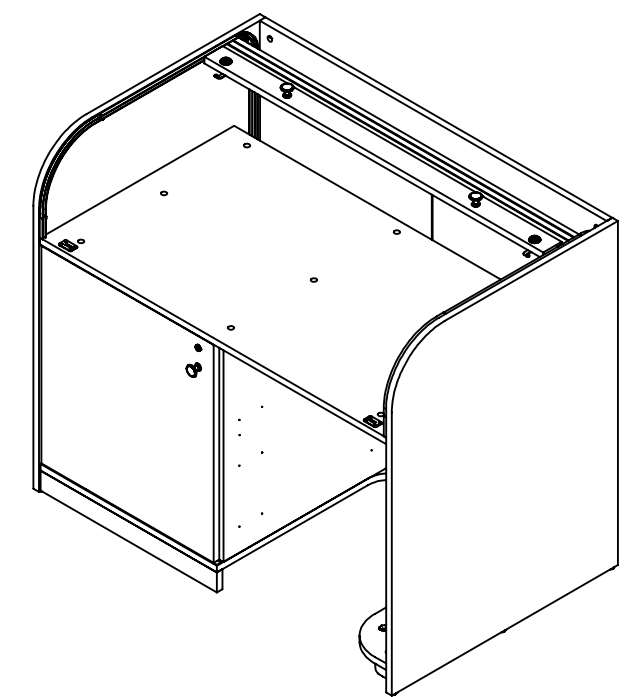
THE INFORMATION AND DESIGNS CONTAINED IN THIS DRAWING ARE CONFIDENTIAL AND THE PROPRIETARY PROPERTY OF MILESTONE AV TECHNOLOGIES NEITHER THIS DESIGN NOR ANY INFORMATION CONTAINED IN THIS DRAWING MAY BE REPRODUCED OR DISCLOSED TO OTHERS WITHOUT THE EXPRESS WRITTEN CONSENT OF MILESTONE AV TECHNOLOGIES.

CAD GENERATED DRAWING, DO NOT MANUALLY UPDATE.			CHIEF	6436 CITY WEST PKWY EDEN PRAIRIE MN, 55344 PHONE: 866-977-3901 FAX: 877-894-6918	
DRAWN BY	PLL	10/2/2012		DESCRIPTION ERT WOOD SERIES	
ENG APPROVAL			MODEL NO.		
MFG APPROVAL			REV. 01		
QA APPROVAL			SCALE 1:1		
SHEET 1 OF 2		SIZE B	DWG. NO. TECH-000239		

1 2 3 4 5 6 7 8

1 2 3 4 5 6 7 8

NOTE: AREA UNDER THE ROLLTOP
 9.00" X 17.90" X 45.23"
 WITH AN ADDITIONAL
 6.00" UNDER THE FRONT ARC



NOTE: BACK DOOR CAN BE OPENED FOR ACCESS TO INSTALLED EQUIPMENT

ERT-SD MODEL

THE INFORMATION AND DESIGNS CONTAINED IN THIS DRAWING ARE CONFIDENTIAL AND THE PROPRIETARY PROPERTY OF MILESTONE AV TECHNOLOGIES NEITHER THIS DESIGN NOR ANY INFORMATION CONTAINED IN THIS DRAWING MAY BE REPRODUCED OR DISCLOSED TO OTHERS WITHOUT THE EXPRESS WRITTEN CONSENT OF MILESTONE AV TECHNOLOGIES.

CAD GENERATED DRAWING, DO NOT MANUALLY UPDATE.			6436 CITY WEST PKWY EDEN PRAIRIE MN, 55344 PHONE: 866-977-3901 FAX: 877-894-6918		
DRAWN BY	PLL	10/2/2012			
ENG APPROVAL			DESCRIPTION		
MFG APPROVAL			ERT WOOD SERIES		
QA APPROVAL			MODEL NO.		
SHEET 2 OF 2		SCALE 1:16	SIZE B	DWG. NO. TECH-000239	REV. 01