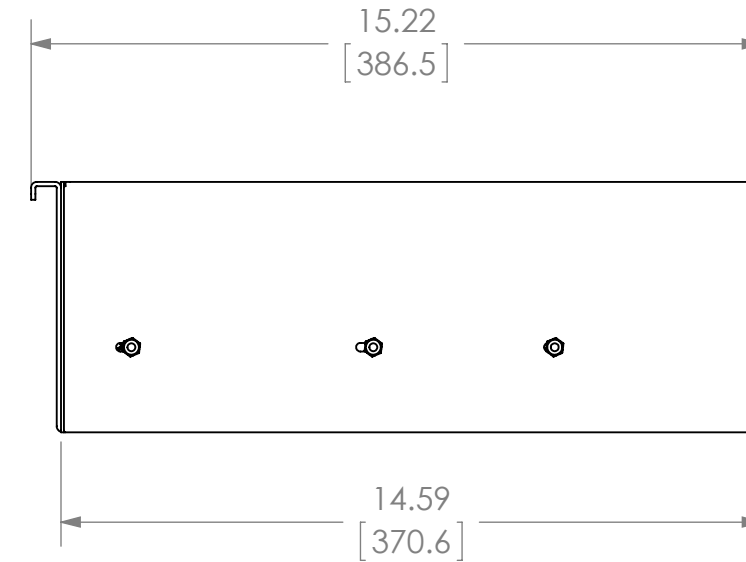
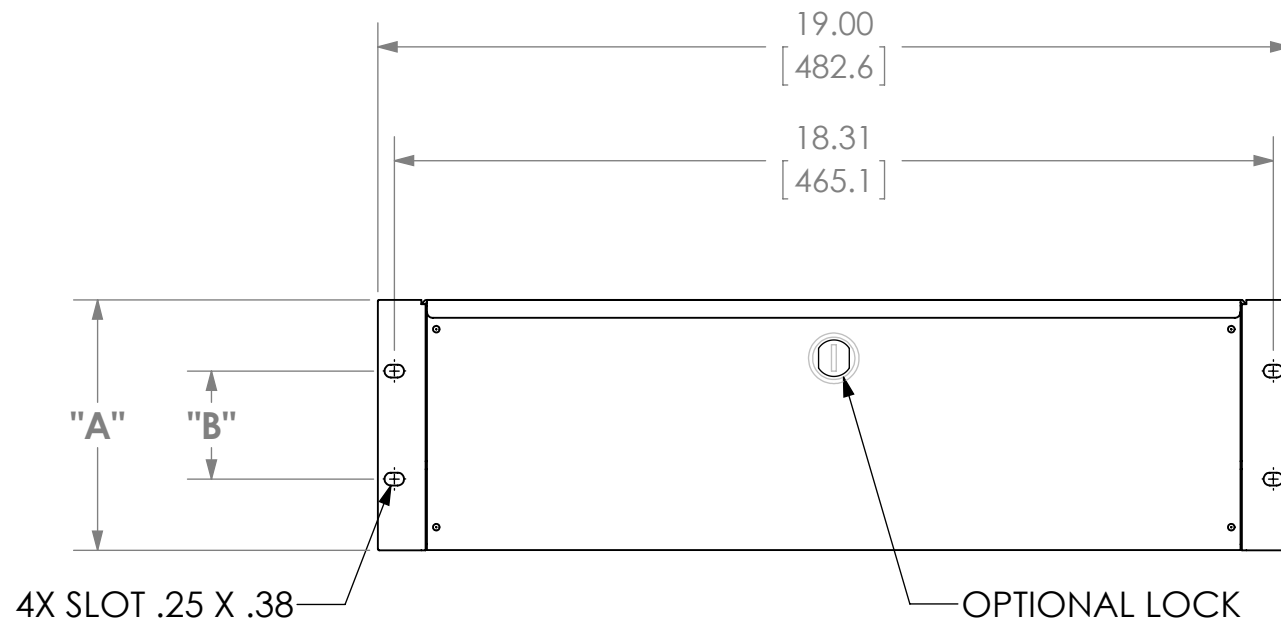
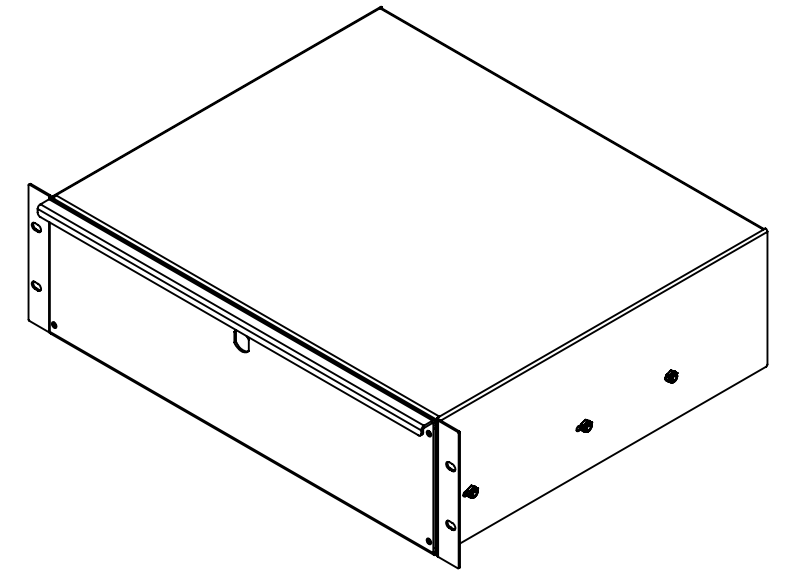


MODEL	RACK HEIGHT	DIMENSION "A"	DIMENSION "B"
ESD-2	2U	3.46 [43.7mm]	3.00 [76.2mm]
ESD-2-L*	2U	3.46 [43.7mm]	3.00 [76.2mm]
ESD-3	3U	5.22 [132.6mm]	2.25 [57.2mm]
ESD-3-L*	3U	5.22 [132.6mm]	2.25 [57.2mm]
ESD-4	4U	6.96 [176.8mm]	3.99 [101.3mm]
ESD-4-L*	4U	6.96 [176.8mm]	3.99 [101.3mm]

*INCLUDES LOCK



CHIEF MANUFACTURING
MOUNT ORDER NUMBER IS ESD-X
PHONE: 1-800-582-6480

SHEET SCALE = 1:4

THE INFORMATION AND DESIGNS CONTAINED IN THIS DRAWING ARE CONFIDENTIAL AND THE PROPRIETARY PROPERTY OF MILESTONE AV TECHNOLOGIES. NEITHER THIS DESIGN NOR ANY INFORMATION CONTAINED IN THIS DRAWING MAY BE REPRODUCED OR DISCLOSED TO OTHERS WITHOUT THE EXPRESS WRITTEN CONSENT OF MILESTONE AV TECHNOLOGIES.



8401 EAGLE CREEK PKY
 SUITE #700
 SAVAGE, MN 55378
 PHONE: 952-894-6280
 FAX: 877-894-6918

TITLE
CUSTOMER PRINT
ESD-X

SIZE | DWG. NO.
B | ESD-X