

1 2 3 4 5 6 7 8

D

C

B

A

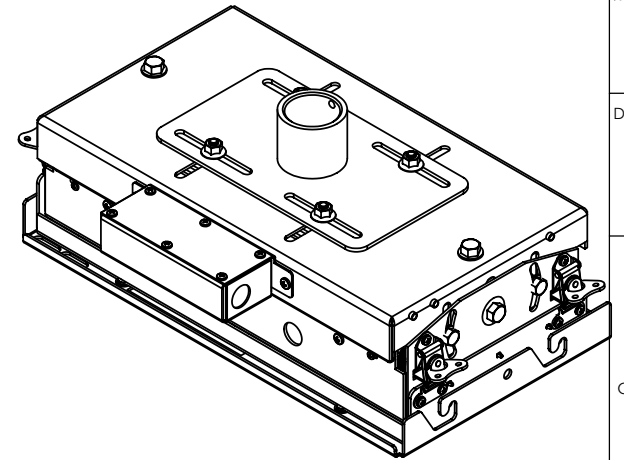
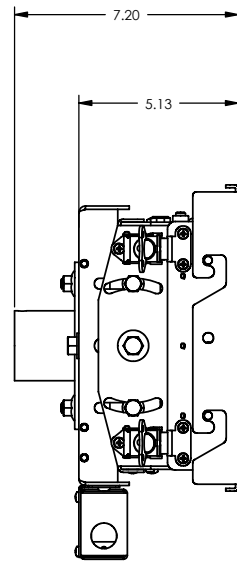
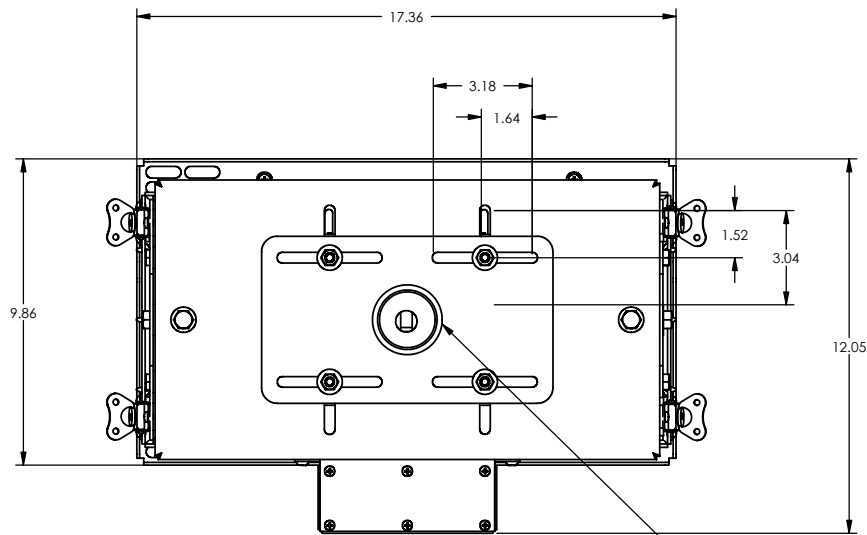
EVCM-010R

D

C

B

A



1 - 1/2" NPT FEMALE



**CHIEF MANUFACTURING INC.**  
**ORDER NUMBER IS EVCM-010R**  
**PHONE: 1-800-582-6480**

THE INFORMATION AND DESIGNS CONTAINED  
 IN THIS DRAWING ARE CONFIDENTIAL AND THE  
 PROPRIETARY PROPERTY OF CHIEF MFG., INC.  
 NEITHER THIS DESIGN NOR ANY INFORMATION  
 CONTAINED IN THIS DRAWING MAY BE  
 REPRODUCED OR DISCLOSED TO OTHERS  
 WITHOUT THE EXPRESS WRITTEN CONSENT OF  
 CHIEF MFG., INC.

**CHIEF** MANUFACTURING, INC.  
 12800 HWY 13 SOUTH STE. 500 • SAVAGE, MN 55378  
 1.800.582.6480 • Fax 1.877.894.6918

TITLE  
**CUSTOMER PRINT  
 ELECTRICAL CEILING MOUNT  
 WITH PROJECTOR  
 EVCM-010R**

SIZE DWG. NO.  
**B EVCM-010R**

1 2 3 4 5 6 7 8