

1 2 3 4 5 6 7 8

D

C

B

A

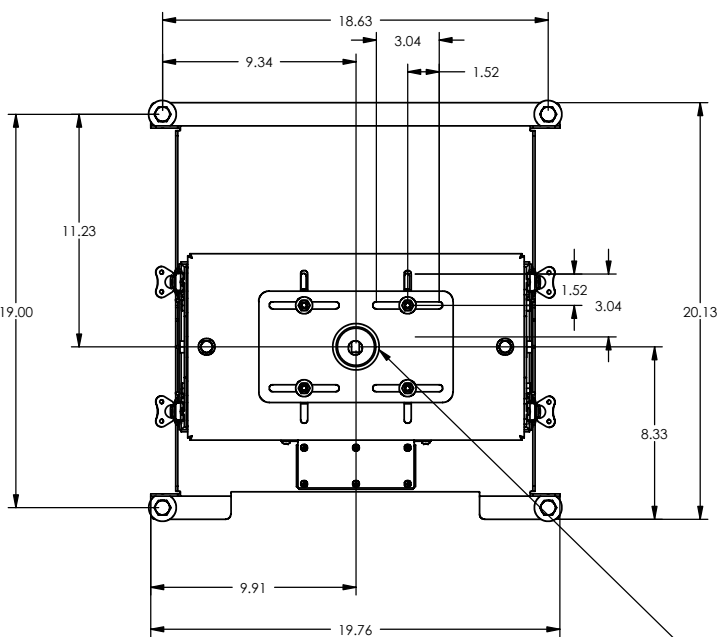
EVCM-90C

D

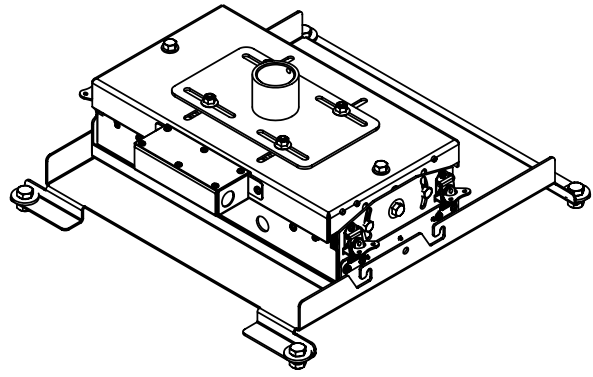
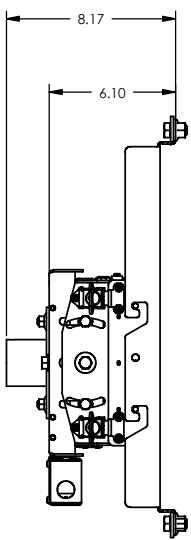
C

B

A



1 - 1/2" NPS



CHIEF MANUFACTURING INC.
ORDER NUMBER IS EVCM-90C
PHONE: 1-800-582-6480

THE INFORMATION AND DESIGNS CONTAINED IN THIS DRAWING ARE CONFIDENTIAL AND THE PROPRIETARY PROPERTY OF CHIEF MFG., INC. NEITHER THIS DESIGN NOR ANY INFORMATION CONTAINED IN THIS DRAWING MAY BE REPRODUCED OR DISCLOSED TO OTHERS WITHOUT THE EXPRESS WRITTEN CONSENT OF CHIEF MFG., INC.

CHIEF MANUFACTURING, INC.
 12800 HWY 13 SOUTH STE. 500 • SAVAGE, MN 55378
 1.800.582.6480 • Fax 1.877.894.6918

TITLE
**CUSTOMER PRINT
 ELECTRICAL CEILING MOUNT
 WITH PROJECTOR
 EVCM-90C**

SIZE DWG. NO.
B EVCM-90C

1 2 3 4 5 6 7 8