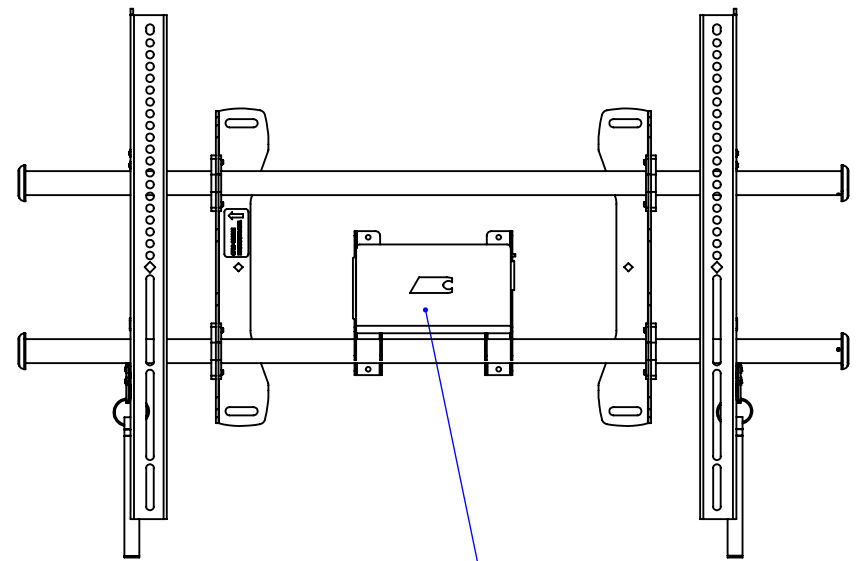
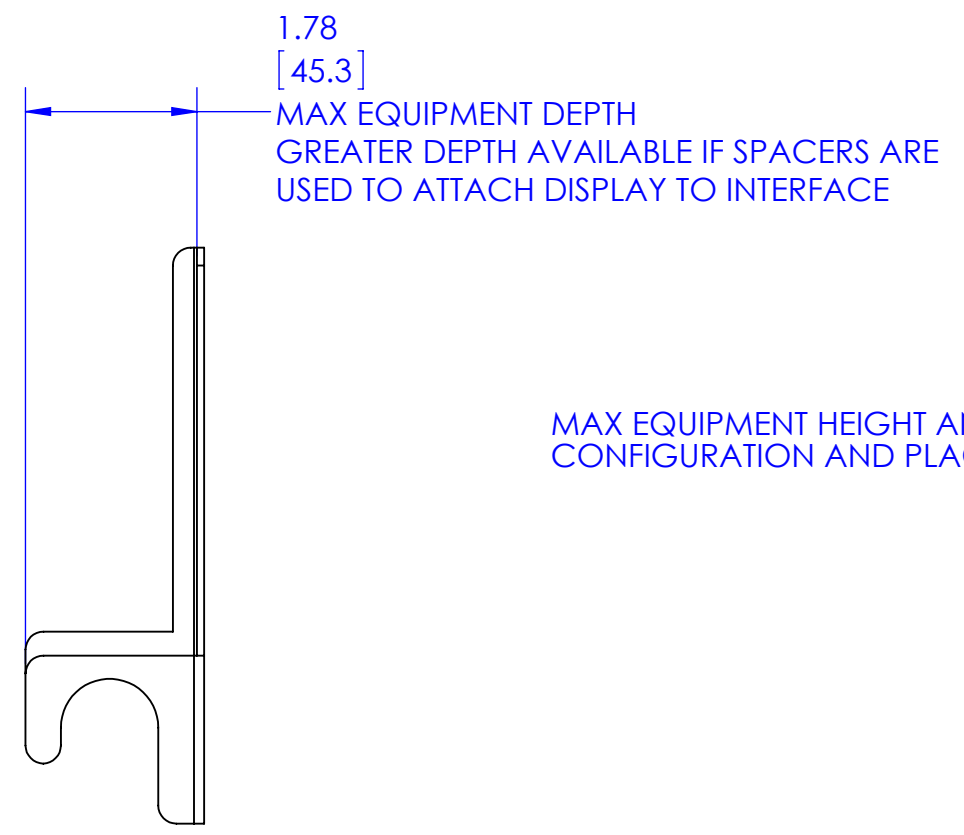
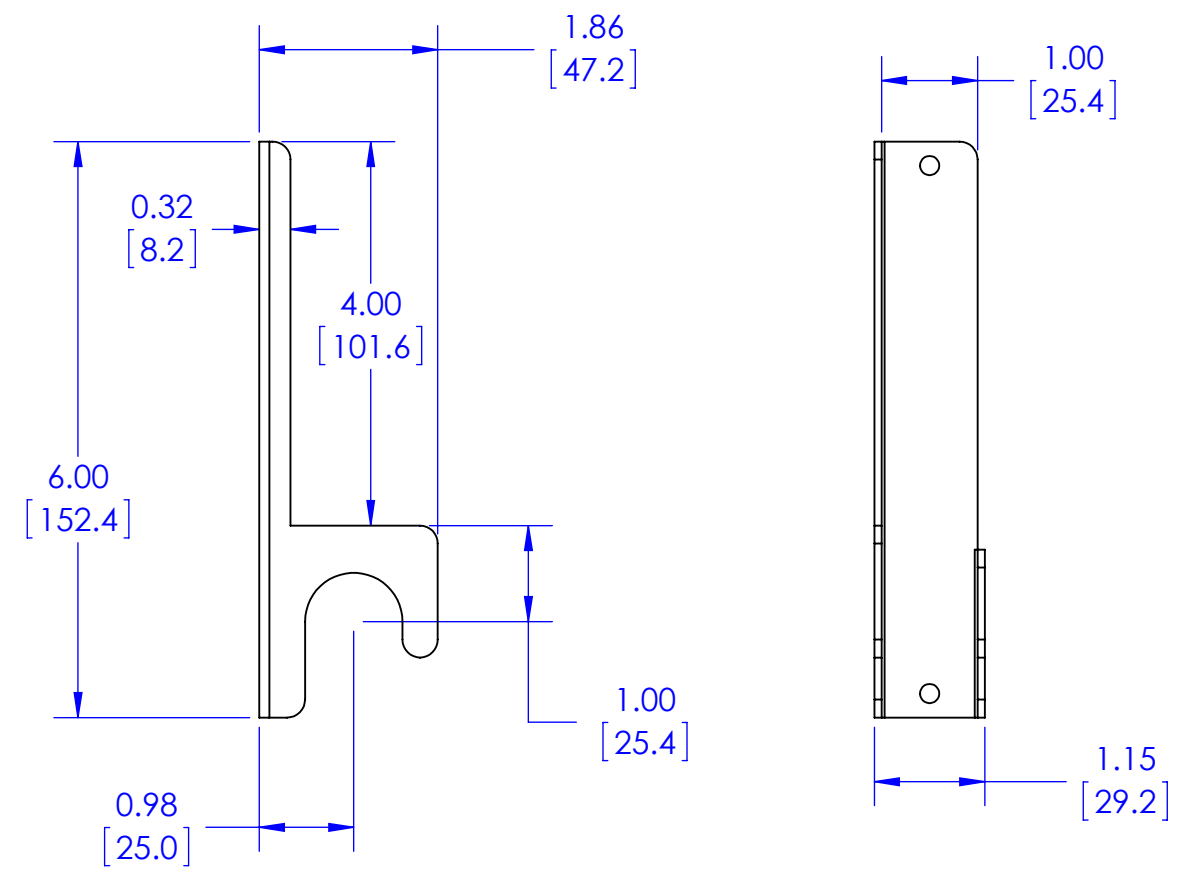


SHOWN ON LSAU (NOT INCOLOUED)
WITH APC2 (NOT INCLUDED)



FCA100 MAY REST ON EITHER
TOP OR BOTTOM BAR

SHOWN WITH APC2 (NOT INCLUDED)



MAX EQUIPMENT HEIGHT AND WIDTH LIMITED BY MOUNT
CONFIGURATION AND PLACEMENT ON MOUNT

THE INFORMATION AND DESIGNS CONTAINED IN
THIS DRAWING ARE CONFIDENTIAL AND THE
PROPRIETARY PROPERTY OF MILESTONE AV
TECHNOLOGIES NEITHER THIS DESIGN NOR ANY
INFORMATION CONTAINED IN THIS DRAWING
MAY BE REPRODUCED OR DISCLOSED TO OTHERS
WITHOUT THE EXPRESS WRITTEN CONSENT OF
MILESTONE AV TECHNOLOGIES.

CAD GENERATED DRAWING, DO NOT MANUALLY UPDATE.			CHIEF		6436 CITY WEST PKWY EDEN PRAIRIE MN, 55344 PHONE: 866-977-3901 FAX: 877-894-6918
DRAWN BY	MW	7/25/2012	DESCRIPTION		
ENG APPROVAL			FCA100		
MFG APPROVAL			MODEL NO.		
QA APPROVAL			FCA100		
SHEET 1 OF 1		SCALE	SIZE	DWG. NO.	REV.
		1:8	B	TECH-000083	00