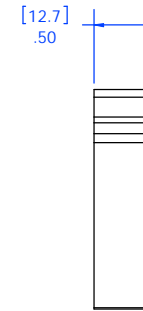
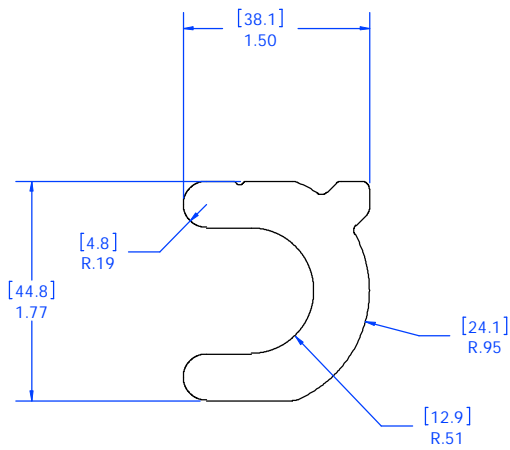
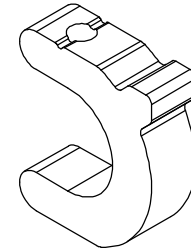


1 2 3 4 5 6 7 8

FCA101 KIT INCLUDES TWO CLAMPS AND ALL HARDWARE TO ATTACH THE CLAMPS



CHIEF MANUFACTURING INC.
MOUNT ORDER NUMBER IS FCA101
PHONE: 1-800-582-6480

THE INFORMATION AND DESIGNS CONTAINED
IN THIS DRAWING ARE CONFIDENTIAL AND THE
PROPRIETARY PROPERTY OF CHIEF MFG., INC.
NEITHER THIS DESIGN NOR ANY INFORMATION
CONTAINED IN THIS DRAWING MAY BE
REPRODUCED OR DISCLOSED TO OTHERS
WITHOUT THE EXPRESS WRITTEN CONSENT OF
CHIEF MFG., INC.

CHIEF MANUFACTURING, INC.
8401 EAGLE CREEK PKWY STE. 700, SAVAGE, MN 55378
1.800.582.6480 • FAX 1.877.894.6918

TITLE

FCA101

1 2 3 4 5 6 7 8