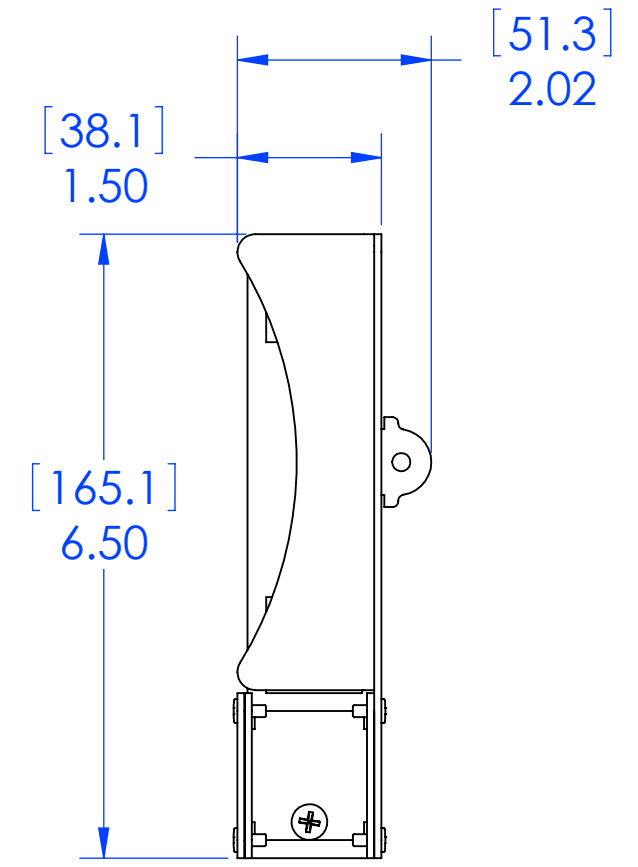
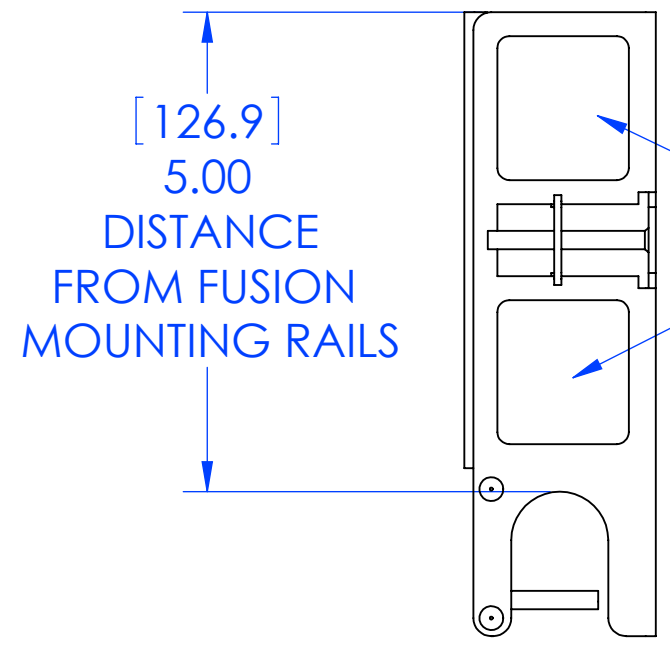


ADJUSTABLE DEPTH BRACKETS  
 MAX DEPTH 1.63" [41.4]  
 (MAX DEPTH 2.00" [50.8] IF USED WITH  
 TILT MOUNT AND DISPLAY IS TILTED)



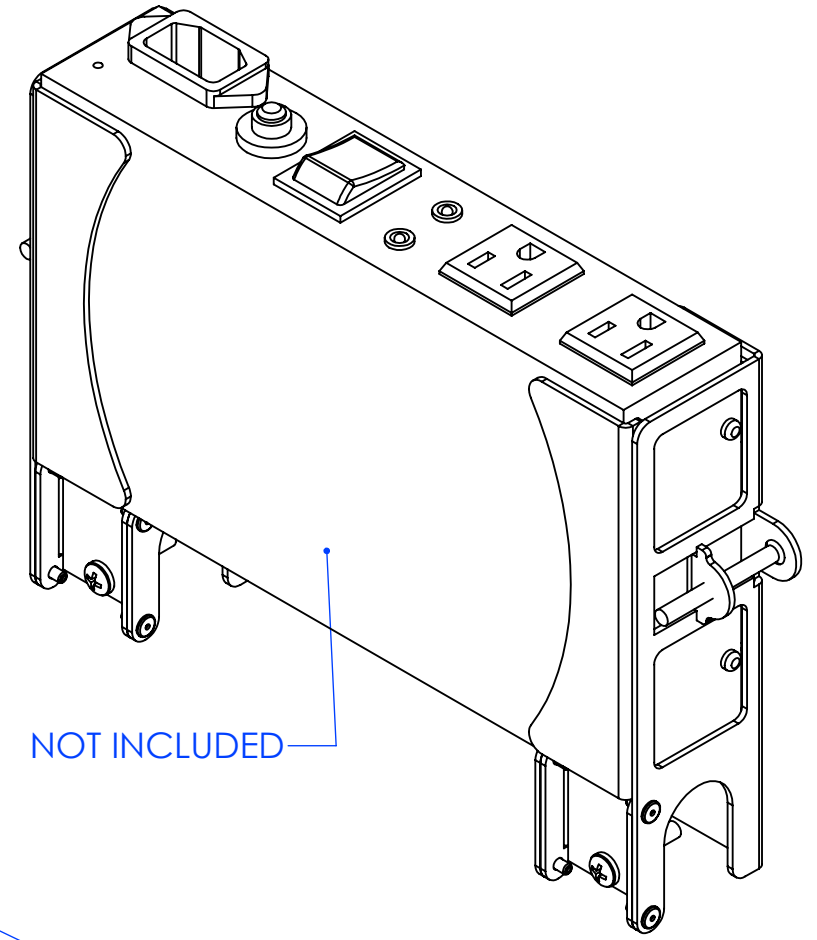
LEFT ASSEMBLY

RIGHT ASSEMBLY



[126.9]  
 5.00  
 DISTANCE  
 FROM FUSION  
 MOUNTING RAILS

ACCESS PORTS



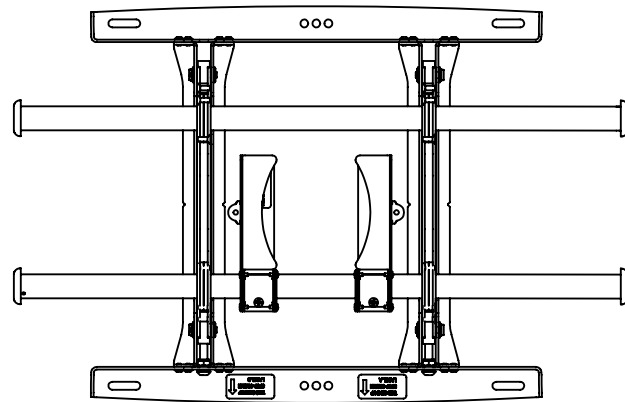
NOT INCLUDED

THE INFORMATION AND DESIGNS CONTAINED IN THIS DRAWING ARE CONFIDENTIAL AND THE PROPRIETARY PROPERTY OF MILESTONE AV TECHNOLOGIES NEITHER THIS DESIGN NOR ANY INFORMATION CONTAINED IN THIS DRAWING MAY BE REPRODUCED OR DISCLOSED TO OTHERS WITHOUT THE EXPRESS WRITTEN CONSENT OF MILESTONE AV TECHNOLOGIES.

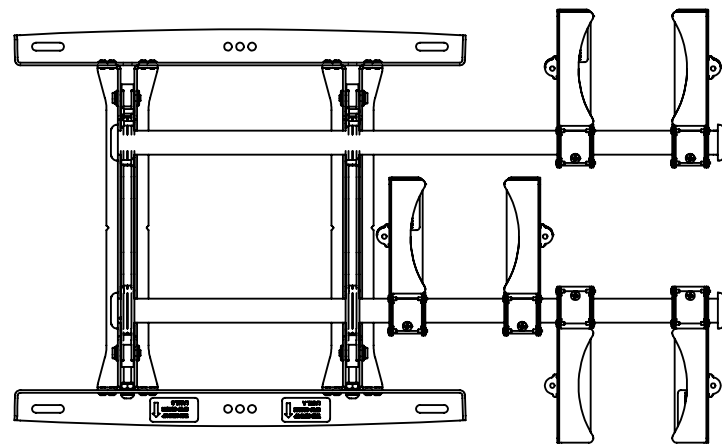
CAD GENERATED DRAWING, DO NOT MANUALLY UPDATE.			<b>CHIEF</b>		6436 CITY WEST PKWY EDEN PRAIRIE MN, 55344 PHONE: 888-888-8888 FAX: 999-999-9999
DRAWN BY	GJR	6/7/2012	DESCRIPTION <b>ASSEMBLY, SMALL FUSION CPU RAIL MOUNT</b>		
ENG APPROVAL			MODEL NO. <b>FCA102</b>		
MFG APPROVAL			SIZE	DWG. NO.	REV.
QA APPROVAL			B	TECH-000068	01
SHEET 1 OF 2		SCALE			
		1:2			

FCA102 POSSIBLE POSITIONS WHEN INSTALLED ON MEDIUM FUSION MOUNTS

COMPONENT DIMENSION LIMITS WHEN INSTALLED IN MIDDLE OF BOTTOM BAR  
**MAX WIDTH = 6.00"**  
**MAX HEIGHT = 4.75"**

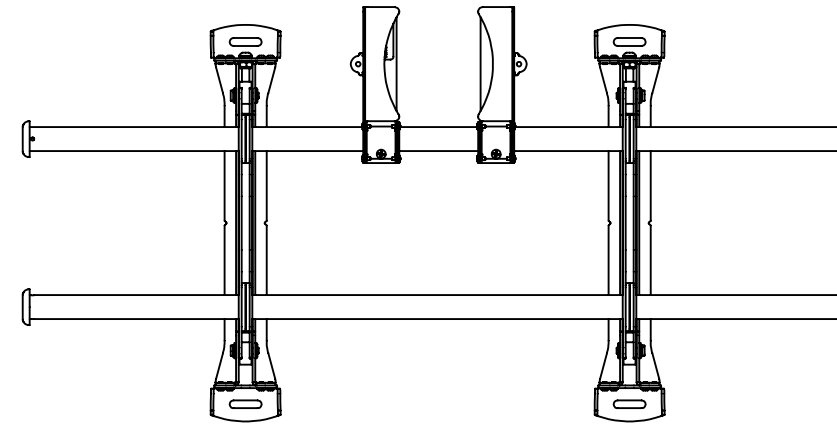


OPTIONAL SIDE POSITIONS FOR MEDIUM AND LARGE FUSION MOUNTS

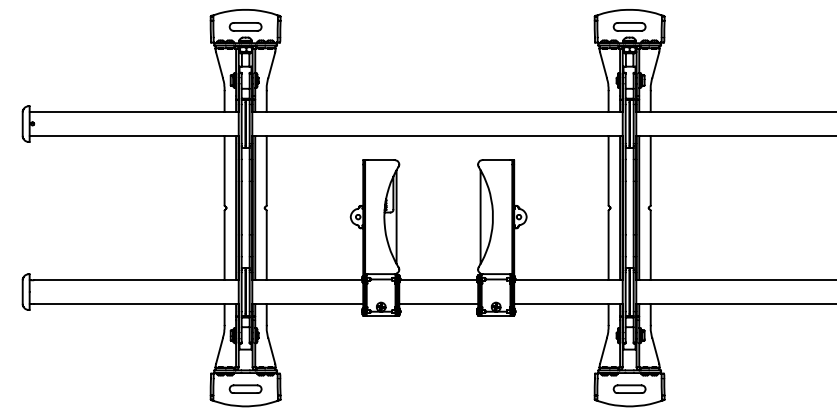


FCA102 POSSIBLE POSITIONS WHEN INSTALLED ON THE LARGE FUSION MOUNTS

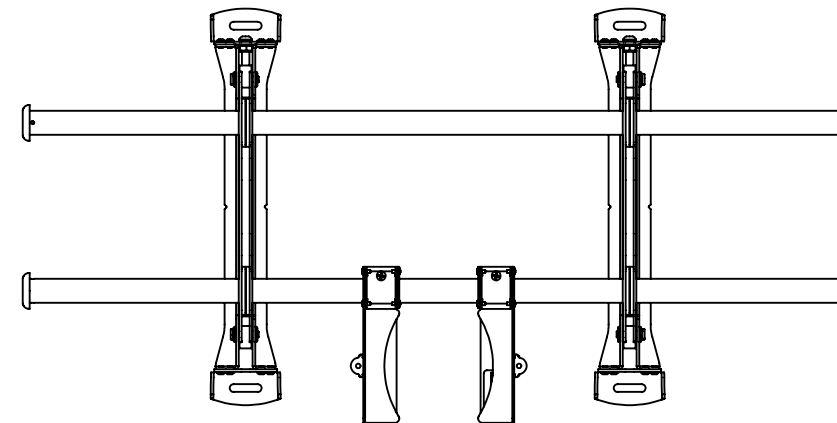
COMPONENT DIMENSION LIMITS WHEN INSTALLED IN MIDDLE OF UPPER BAR  
**MAX WIDTH = STUD DISTANCE - 3.50"**  
**MAX HEIGHT = N/A**



COMPONENT DIMENSION LIMITS WHEN INSTALLED IN MIDDLE OF BOTTOM BAR  
**MAX WIDTH = STUD DISTANCE - 1.50"**  
**MAX HEIGHT = 4.75"**



COMPONENT DIMENSION LIMITS WHEN INSTALLED IN MIDDLE OF LOWER BAR  
**MAX WIDTH = STUD DISTANCE - 3.50"**  
**MAX HEIGHT = N/A**



THE INFORMATION AND DESIGNS CONTAINED IN THIS DRAWING ARE CONFIDENTIAL AND THE PROPRIETARY PROPERTY OF MILESTONE AV TECHNOLOGIES NEITHER THIS DESIGN NOR ANY INFORMATION CONTAINED IN THIS DRAWING MAY BE REPRODUCED OR DISCLOSED TO OTHERS WITHOUT THE EXPRESS WRITTEN CONSENT OF MILESTONE AV TECHNOLOGIES.

CAD GENERATED DRAWING, DO NOT MANUALLY UPDATE.			6436 CITY WEST PKWY EDEN PRAIRIE, MN, 55344 PHONE: 888-888-8888 FAX: 999-999-9999
DRAWN BY	GJR	6/7/2012	
ENG APPROVAL			DESCRIPTION <b>ASSEMBLY, SMALL FUSION CPU RAIL MOUNT</b>
MFG APPROVAL			MODEL NO. <b>FCA102</b>
QA APPROVAL			SIZE DWG. NO. REV. <b>B TECH-000068 01</b>
SHEET 2 OF 2			SCALE <b>1:4</b>