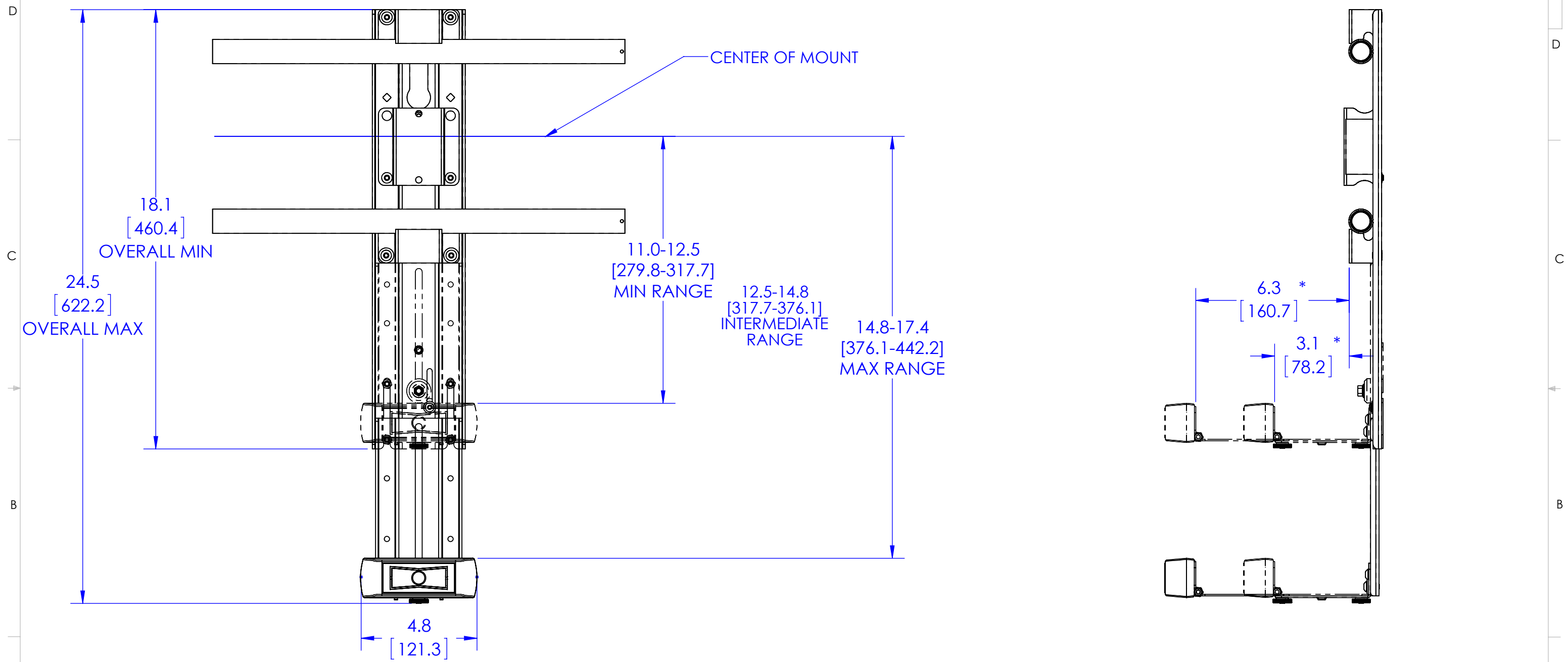


FUSION WALL BELOW MOUNT SETUP



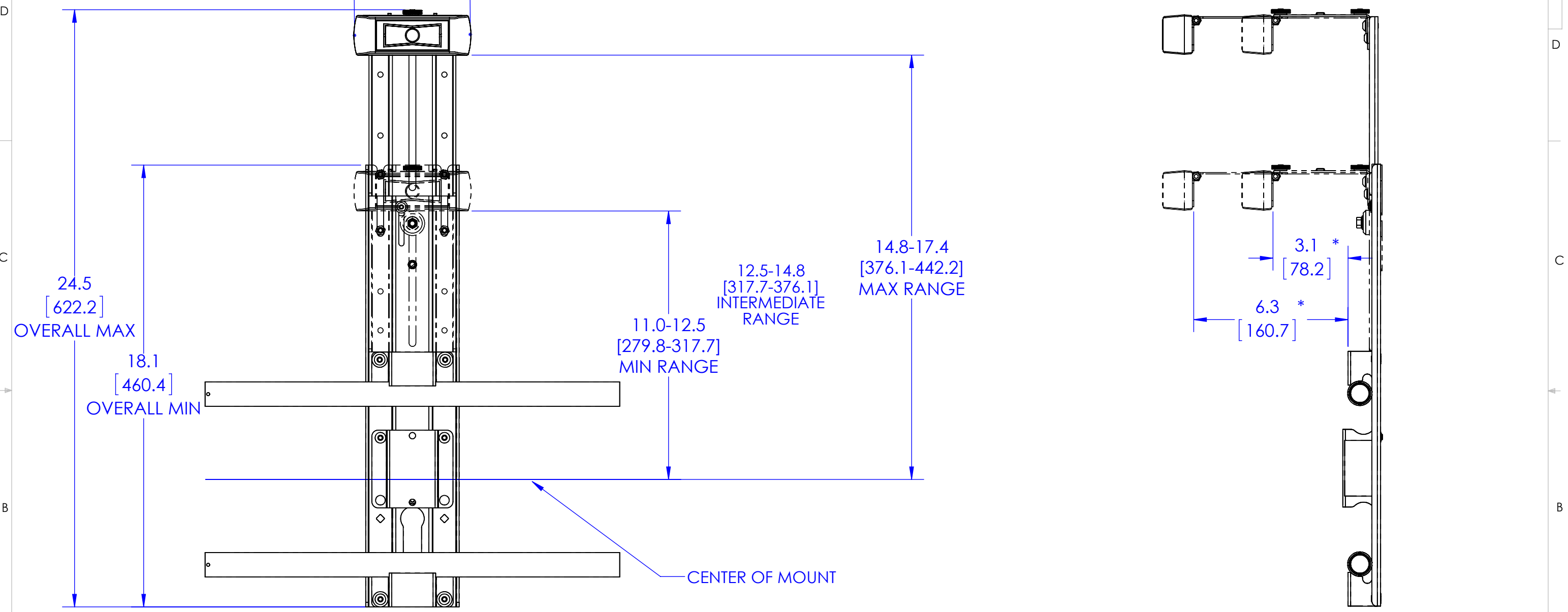
(*)NOTES:

- TYPICAL FUSION INTERFACES ARE 0.625" [15.9] DEEP

THE INFORMATION AND DESIGNS CONTAINED IN THIS DRAWING ARE CONFIDENTIAL AND THE PROPRIETARY PROPERTY OF MILESTONE AV TECHNOLOGIES NEITHER THIS DESIGN NOR ANY INFORMATION CONTAINED IN THIS DRAWING MAY BE REPRODUCED OR DISCLOSED TO OTHERS WITHOUT THE EXPRESS WRITTEN CONSENT OF MILESTONE AV TECHNOLOGIES.

| | | | | | | |
|--|----|---------------------|--|--|---|--|
| CAD GENERATED DRAWING, DO NOT MANUALLY UPDATE. | | | CHIEF | | 6436 CITY WEST PKWY EDEN PRAIRIE MN, 55344 PHONE: 866-977-3901 FAX: 877-894-6918 | |
| DRAWN BY | JF | 4/9/2015 | DESCRIPTION FUSION VIEWSHARE KIT- L DISPLAYS | | | |
| ENG APPROVAL | | | MODEL NO. FCA800V & FCA800VE | | | |
| MFG APPROVAL | | | SIZE DWG. NO. B TECH-000684 | | | |
| QA APPROVAL | | | REV. 00 | | | |
| SHEET 1 OF 5 | | SCALE 1:4 | | | | |

FUSION WALL ABOVE MOUNT SETUP



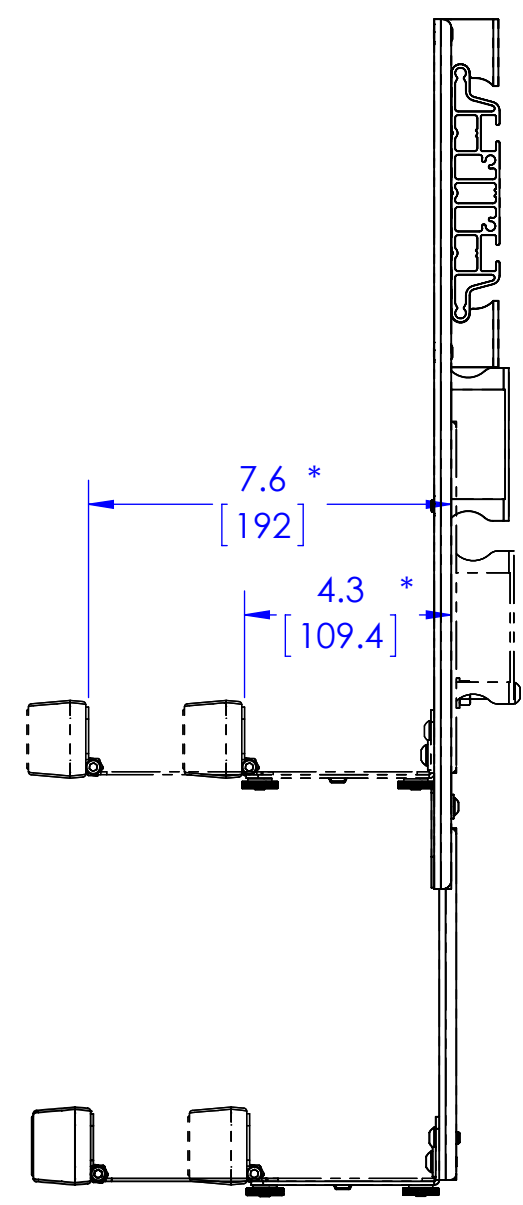
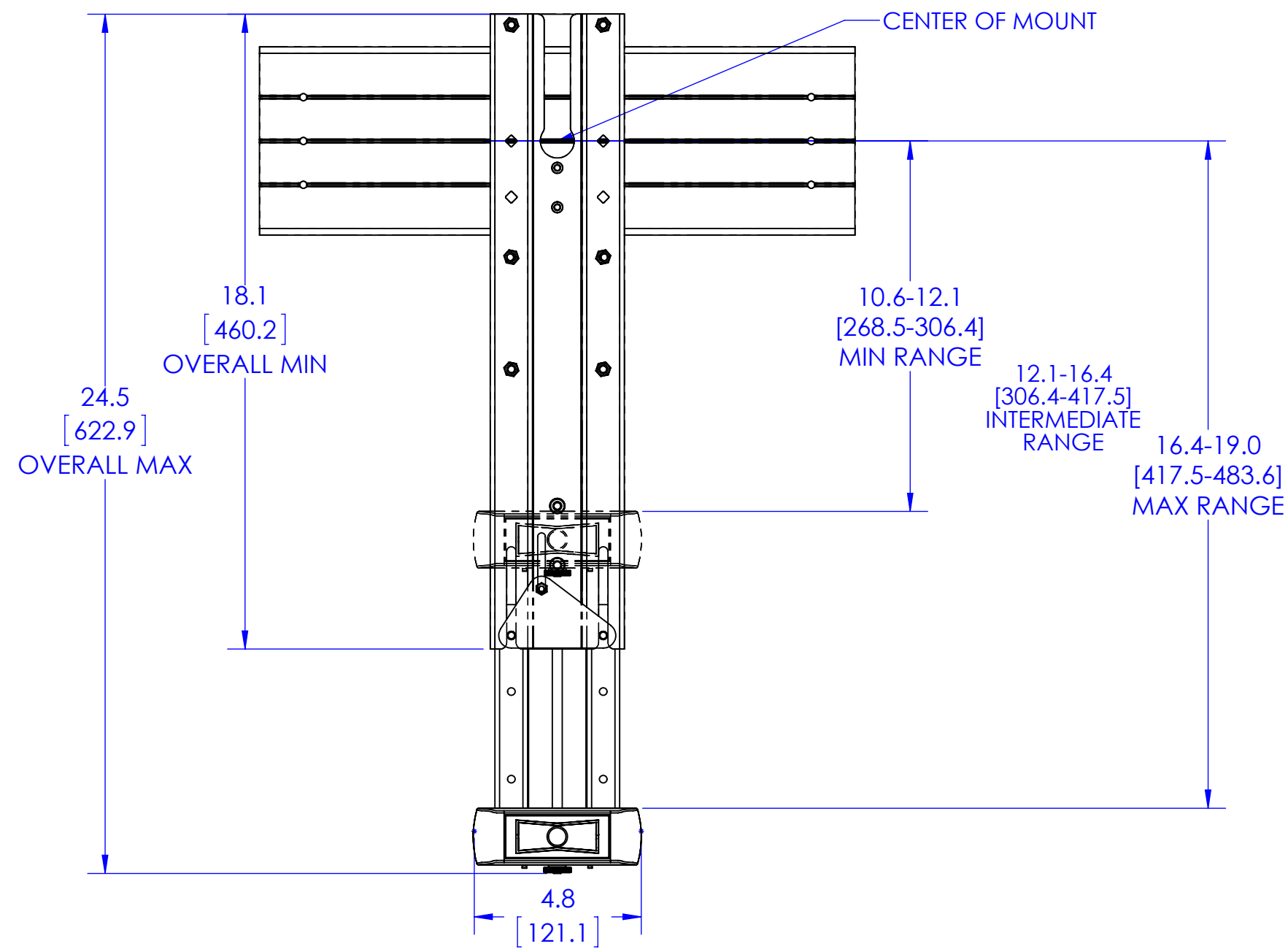
(*)NOTES:

- TYPICAL FUSION INTERFACES ARE 0.625" [15.9] DEEP

THE INFORMATION AND DESIGNS CONTAINED IN THIS DRAWING ARE CONFIDENTIAL AND THE PROPRIETARY PROPERTY OF MILESTONE AV TECHNOLOGIES NEITHER THIS DESIGN NOR ANY INFORMATION CONTAINED IN THIS DRAWING MAY BE REPRODUCED OR DISCLOSED TO OTHERS WITHOUT THE EXPRESS WRITTEN CONSENT OF MILESTONE AV TECHNOLOGIES.

| | | | | | | |
|--|----|----------|--|--------------------|---|--|
| CAD GENERATED DRAWING, DO NOT MANUALLY UPDATE. | | | CHIEF | | 6436 CITY WEST PKWY EDEN PRAIRIE MN, 55344 PHONE: 866-977-3901 FAX: 877-894-6918 | |
| DRAWN BY | JF | 4/9/2015 | DESCRIPTION FUSION VIEWSHARE KIT- L DISPLAYS | | | |
| ENG APPROVAL | | | MODEL NO. FCA800V & FCA800VE | | | |
| MFG APPROVAL | | | SIZE | DWG. NO. | REV. | |
| QA APPROVAL | | | B | TECH-000684 | 00 | |
| SHEET 2 OF 5 | | | SCALE | | | |
| | | | 1:4 | | | |

FUSION CEILING/CART BELOW MOUNT SETUP



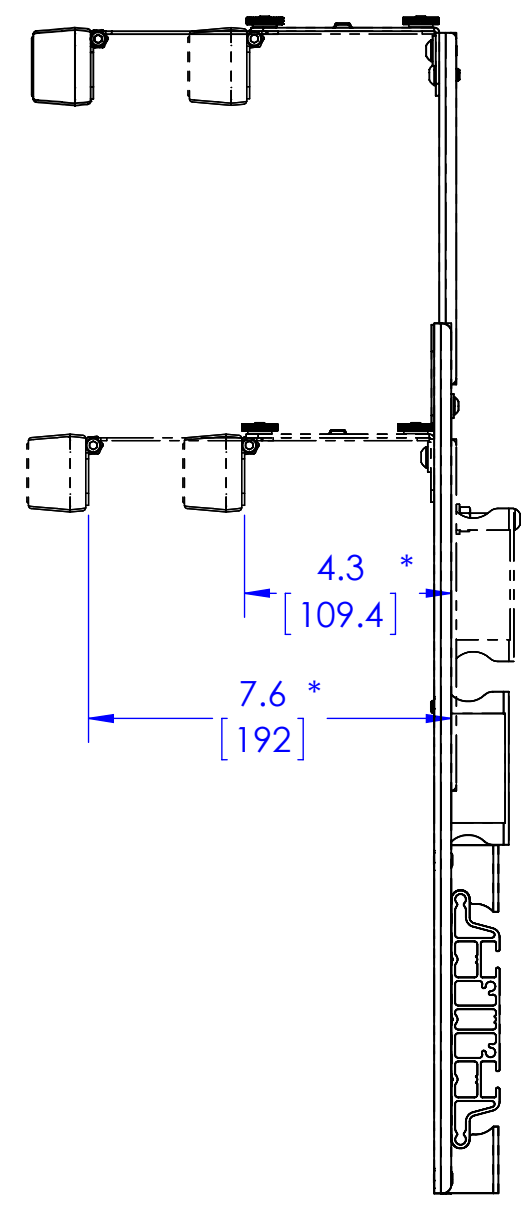
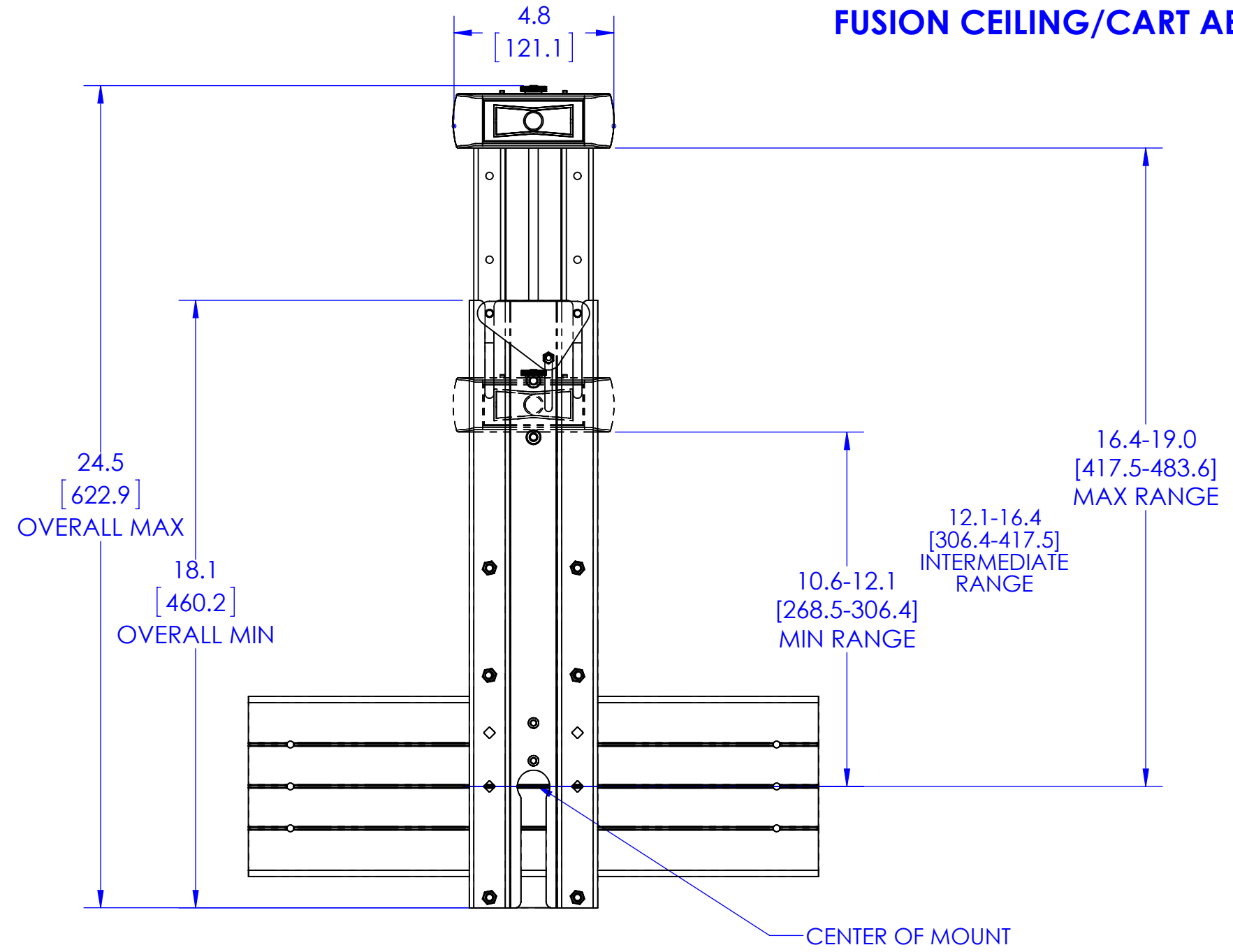
(*)NOTES:

- TYPICAL SINGLE DISPLAY MODELS HAVE INTERFACE DEPTHS 0.5" [12.7]
- TYPICAL DUAL DISPLAY MODELS HAVE INTERFACE DEPTHS 1.9" [48.3]
- FCA623 DUAL MONITOR INTERFACES ARE 1.4" DEEP [35.6]

THE INFORMATION AND DESIGNS CONTAINED IN THIS DRAWING ARE CONFIDENTIAL AND THE PROPRIETARY PROPERTY OF MILESTONE AV TECHNOLOGIES NEITHER THIS DESIGN NOR ANY INFORMATION CONTAINED IN THIS DRAWING MAY BE REPRODUCED OR DISCLOSED TO OTHERS WITHOUT THE EXPRESS WRITTEN CONSENT OF MILESTONE AV TECHNOLOGIES.

| | | | | | |
|--|----|----------|--------------|---|----------------------------------|
| CAD GENERATED DRAWING, DO NOT MANUALLY UPDATE. | | | | 6436 CITY WEST PKWY EDEN PRAIRIE MN, 55344 PHONE: 866-977-3901 FAX: 877-894-6918 | |
| DRAWN BY | JF | 4/9/2015 | | DESCRIPTION | FUSION VIEWSHARE KIT- L DISPLAYS |
| ENG APPROVAL | | | MFG APPROVAL | | |
| QA APPROVAL | | | MODEL NO. | FCA800V & FCA800VE | |
| SHEET 3 OF 5 | | | SCALE | 1:4 | REV. 00 |
| | | | SIZE | B | DWG. NO. TECH-000684 |

FUSION CEILING/CART ABOVE MOUNT SETUP



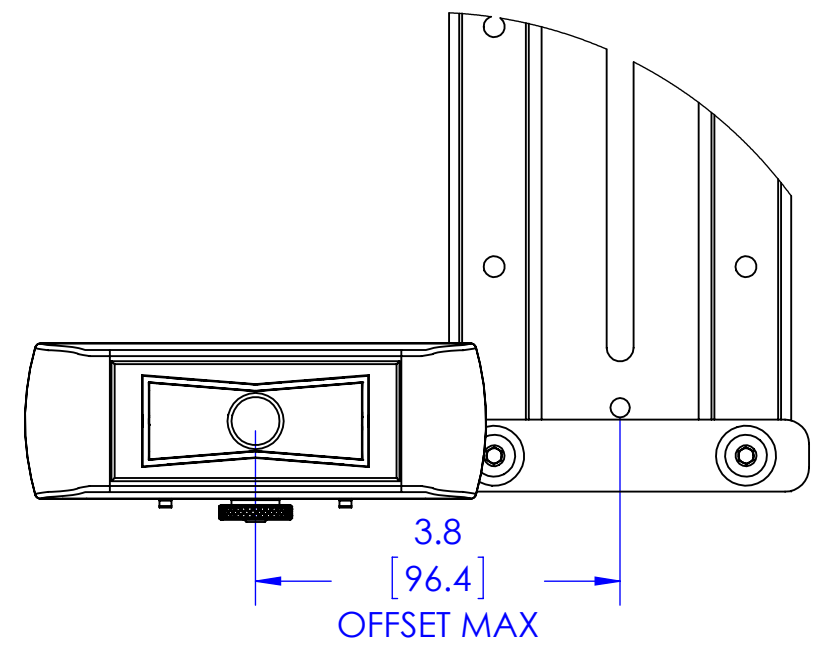
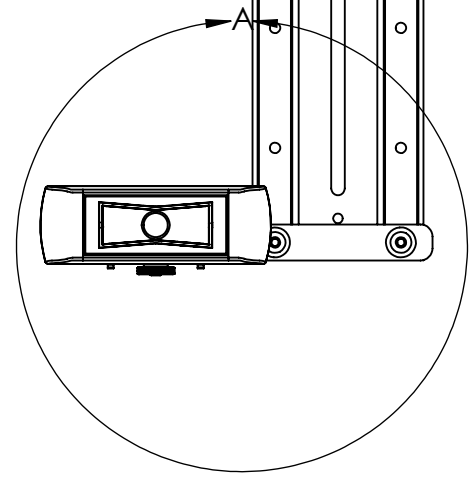
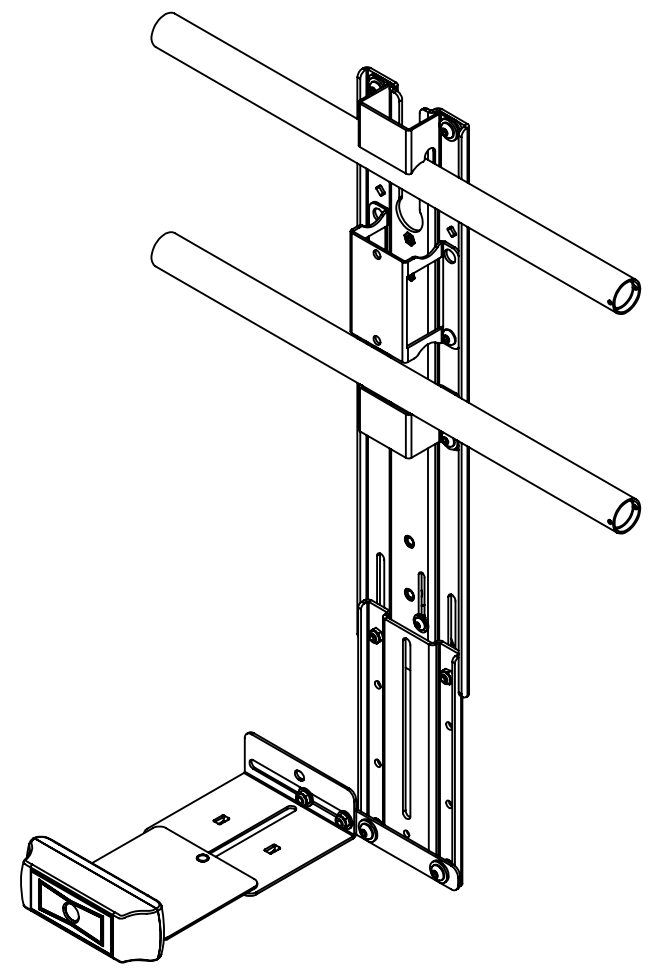
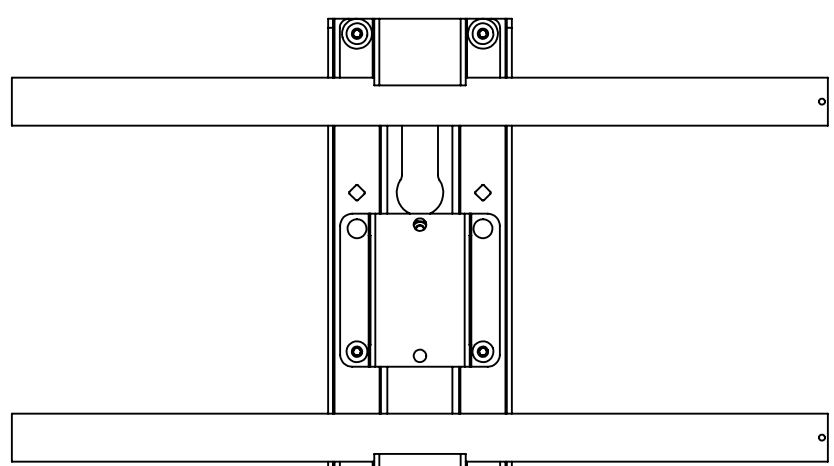
(*)NOTES:

- TYPICAL SINGLE DISPLAY MODELS HAVE INTERFACE DEPTHS 0.5" [12.7]
- TYPICAL DUAL DISPLAY MODELS HAVE INTERFACE DEPTHS 1.9" [48.3]
- FCA623 DUAL MONITOR INTERFACES ARE 1.4" DEEP [35.6]

THE INFORMATION AND DESIGNS CONTAINED IN THIS DRAWING ARE CONFIDENTIAL AND THE PROPRIETARY PROPERTY OF MILESTONE AV TECHNOLOGIES NEITHER THIS DESIGN NOR ANY INFORMATION CONTAINED IN THIS DRAWING MAY BE REPRODUCED OR DISCLOSED TO OTHERS WITHOUT THE EXPRESS WRITTEN CONSENT OF MILESTONE AV TECHNOLOGIES.

| | | | | | | |
|--|----|----------|--|-------------|---|--|
| CAD GENERATED DRAWING, DO NOT MANUALLY UPDATE. | | | CHIEF | | 6436 CITY WEST PKWY EDEN PRAIRIE MN, 55344 PHONE: 866-977-3901 FAX: 877-894-6918 | |
| DRAWN BY | JF | 4/9/2015 | DESCRIPTION FUSION VIEWSHARE KIT- L DISPLAYS | | | |
| ENG APPROVAL | | | MODEL NO. FCA800V & FCA800VE | | | |
| MFG APPROVAL | | | SIZE | DWG. NO. | REV. | |
| QA APPROVAL | | | B | TECH-000684 | 00 | |
| SHEET 4 OF 5 | | | SCALE | | | |
| | | | 1:4 | | | |

OFFSET FEATURE SETUP



DETAIL A
SCALE 1 : 2

THE INFORMATION AND DESIGNS CONTAINED IN THIS DRAWING ARE CONFIDENTIAL AND THE PROPRIETARY PROPERTY OF MILESTONE AV TECHNOLOGIES NEITHER THIS DESIGN NOR ANY INFORMATION CONTAINED IN THIS DRAWING MAY BE REPRODUCED OR DISCLOSED TO OTHERS WITHOUT THE EXPRESS WRITTEN CONSENT OF MILESTONE AV TECHNOLOGIES.

| | | | | |
|--|----|---------------------|---|--------------------|
| CAD GENERATED DRAWING, DO NOT MANUALLY UPDATE. | | | CHIEF 6436 CITY WEST PKWY EDEN PRAIRIE, MN, 55344 PHONE: 866-977-3901 FAX: 877-894-6918 | |
| DRAWN BY | JF | 4/9/2015 | DESCRIPTION FUSION VIEWSHARE KIT- L DISPLAYS | |
| ENG APPROVAL | | | MODEL NO. FCA800V & FCA800VE | |
| MFG APPROVAL | | | SIZE | DWG. NO. |
| QA APPROVAL | | | B | TECH-000684 |
| SHEET 5 OF 5 | | SCALE 1:4 | REV. | 00 |