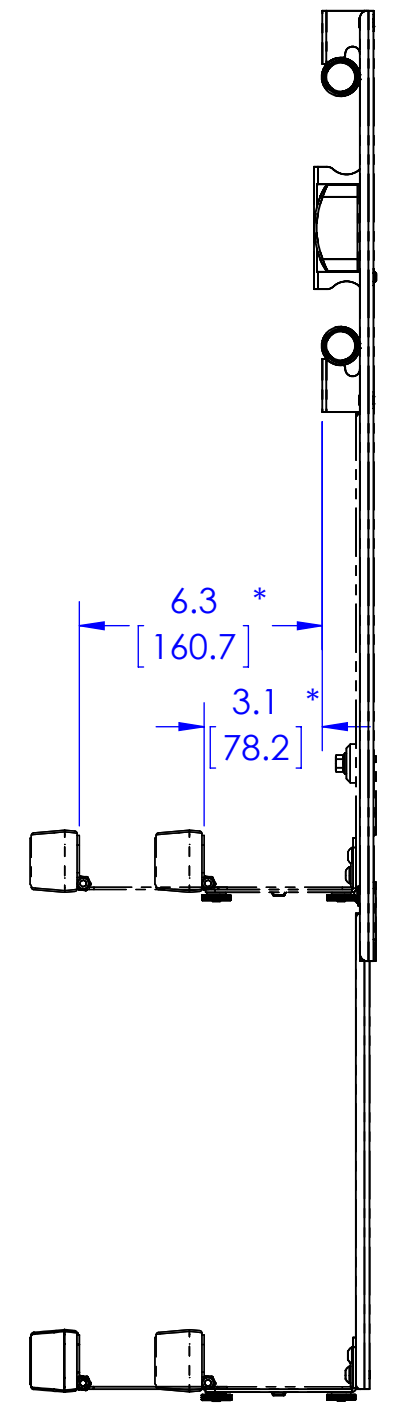
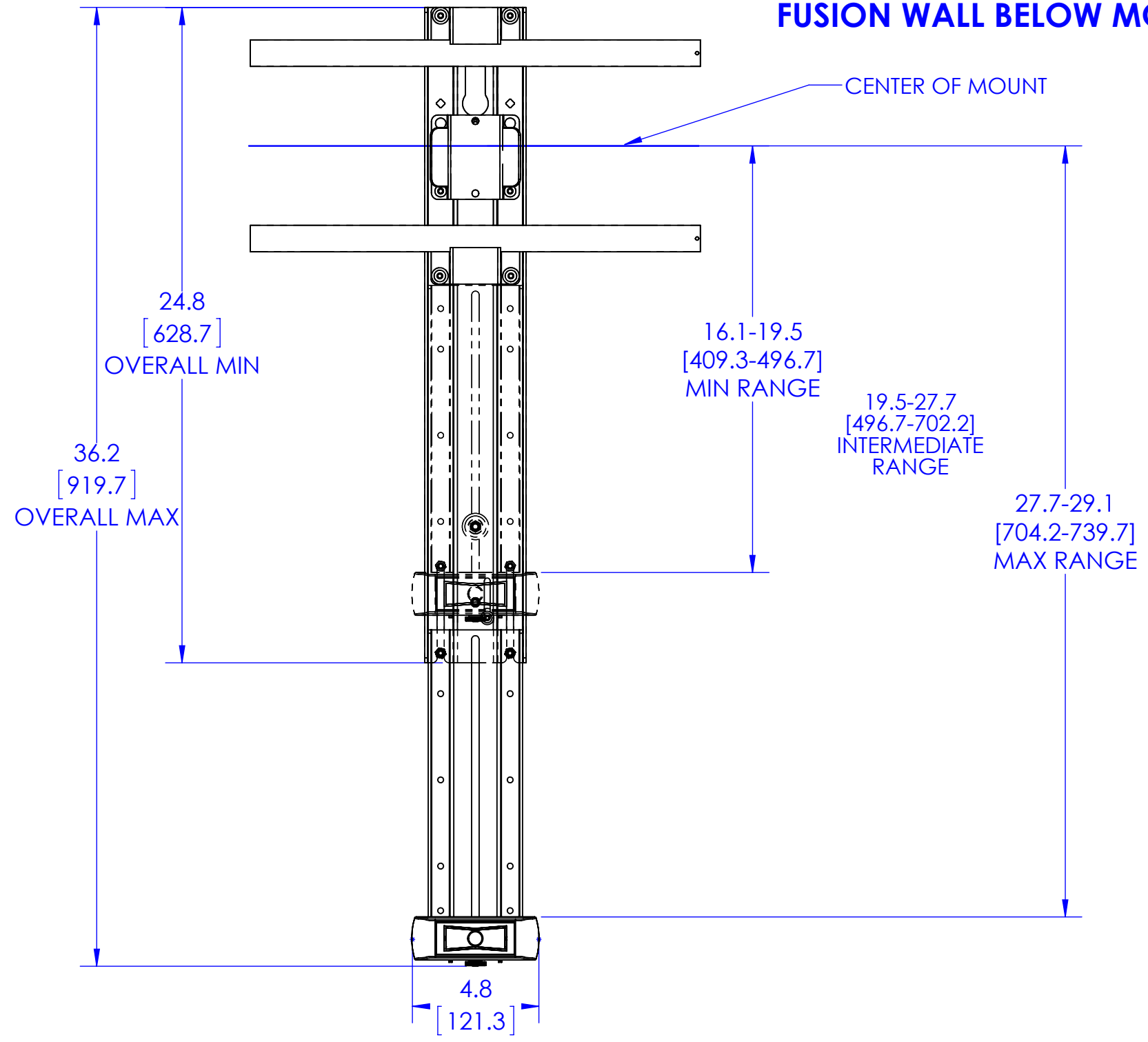


### FUSION WALL BELOW MOUNT SETUP



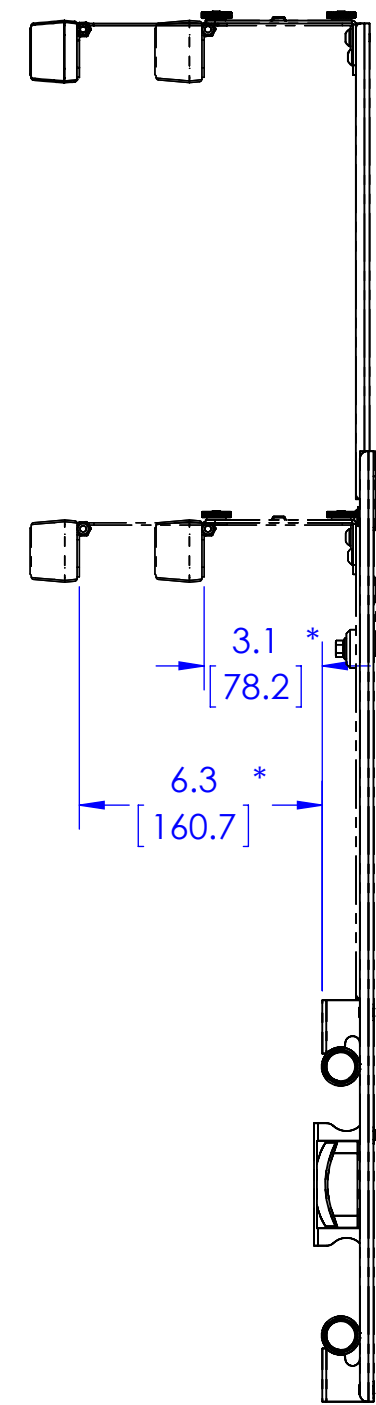
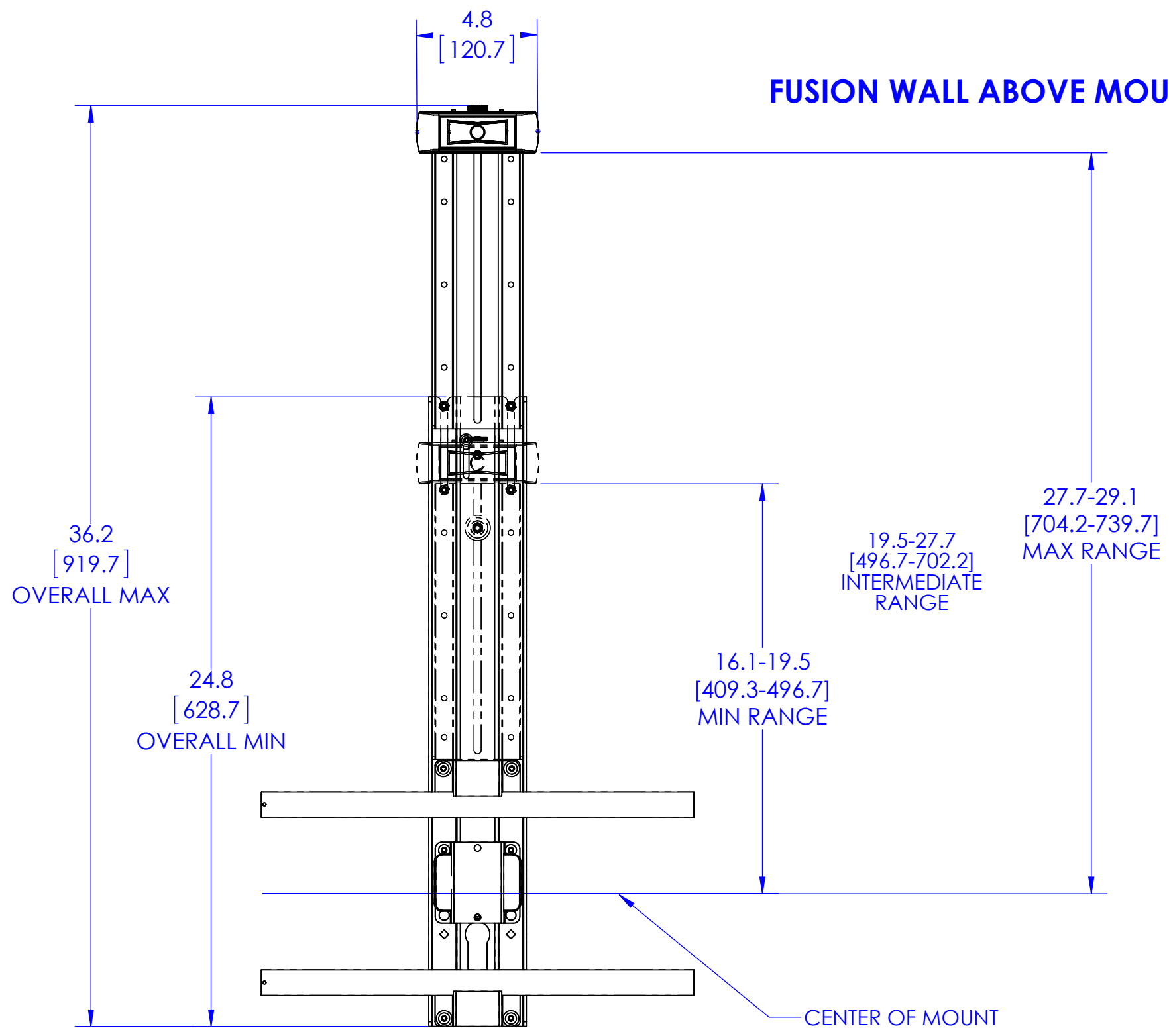
(\*)NOTES:

- TYPICAL FUSION INTERFACES ARE 0.625" [15.9] DEEP

THE INFORMATION AND DESIGNS CONTAINED IN THIS DRAWING ARE CONFIDENTIAL AND THE PROPRIETARY PROPERTY OF MILESTONE AV TECHNOLOGIES NEITHER THIS DESIGN NOR ANY INFORMATION CONTAINED IN THIS DRAWING MAY BE REPRODUCED OR DISCLOSED TO OTHERS WITHOUT THE EXPRESS WRITTEN CONSENT OF MILESTONE AV TECHNOLOGIES.

CAD GENERATED DRAWING, DO NOT MANUALLY UPDATE.				6436 CITY WEST PKWY EDEN PRAIRIE MN, 55344 PHONE: 866-977-3901 FAX: 877-894-6918	
DRAWN BY	JF	4/10/2015		DESCRIPTION <b>FUSION VIEWSHARE KIT- XL DISPLAYS</b>	
ENG APPROVAL			MODEL NO. <b>FCA810V &amp; FCA810VE</b>		
MFG APPROVAL			SIZE	DWG. NO.	REV.
QA APPROVAL			<b>B</b>	<b>TECH-000685</b>	<b>00</b>
SHEET 1 OF 5			SCALE		
			<b>1:5</b>		

### FUSION WALL ABOVE MOUNT SETUP



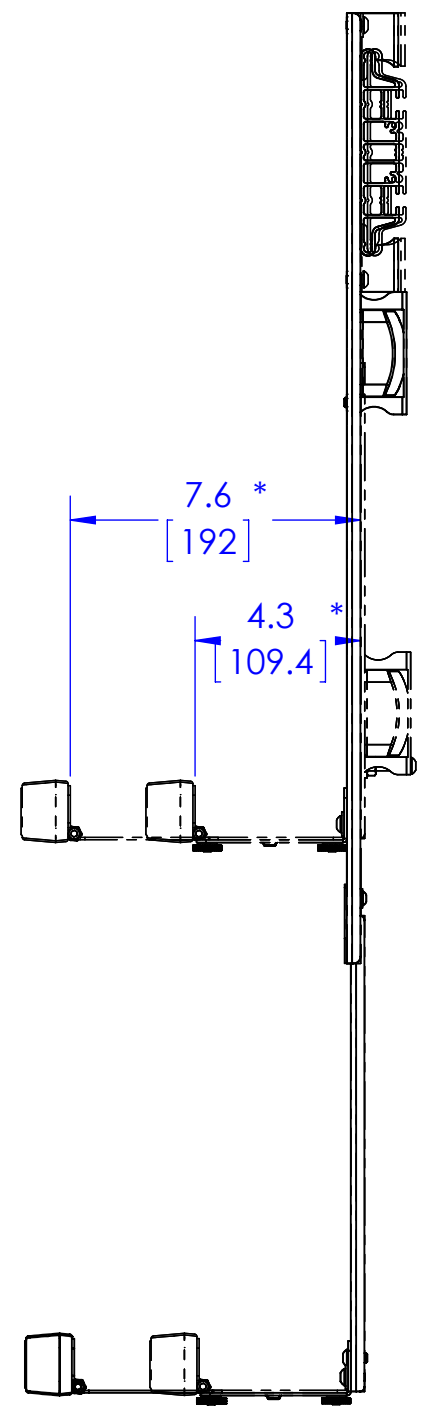
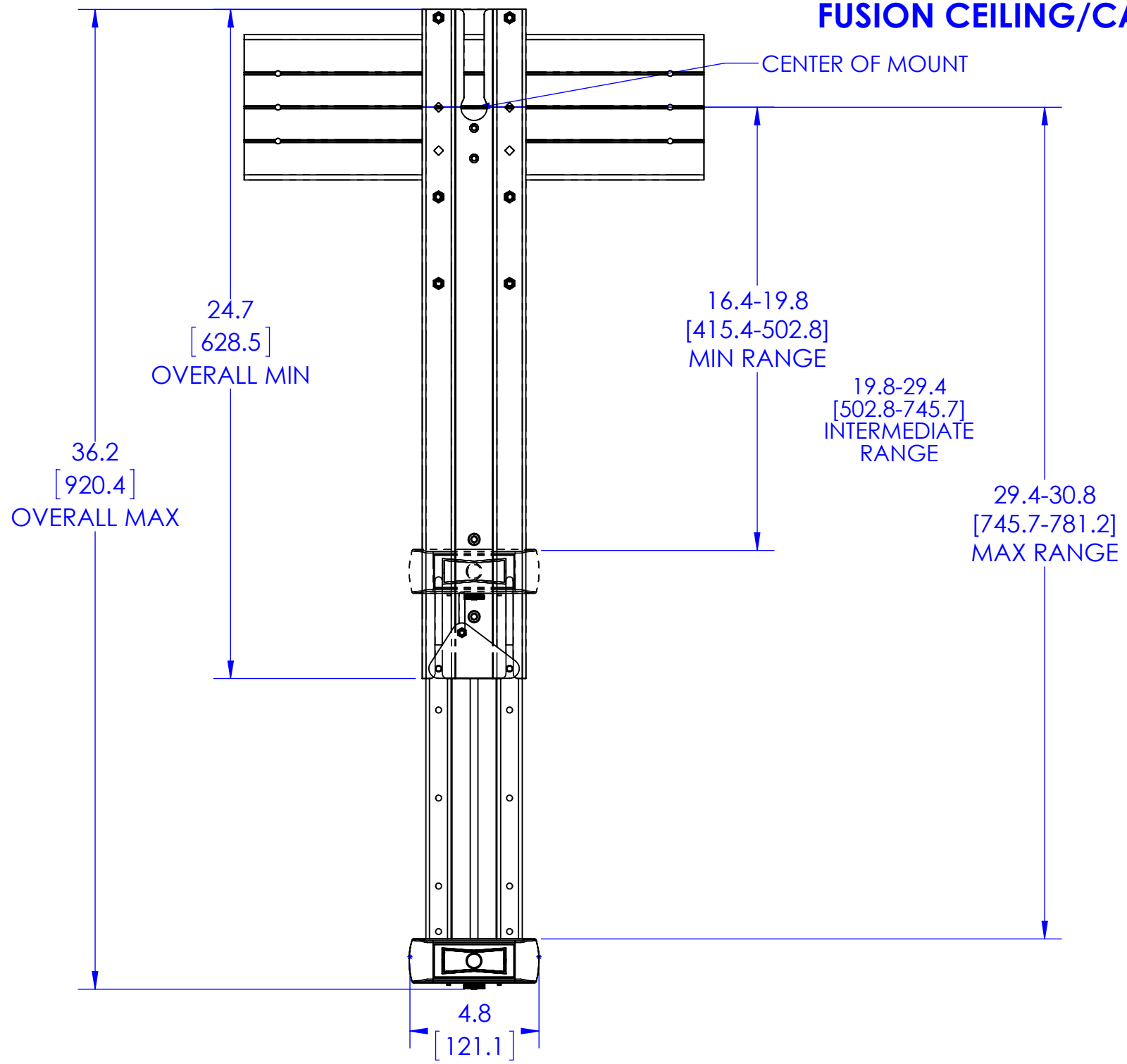
(\*)NOTES:

- TYPICAL FUSION INTERFACES ARE 0.625" [15.9] DEEP

THE INFORMATION AND DESIGNS CONTAINED IN THIS DRAWING ARE CONFIDENTIAL AND THE PROPRIETARY PROPERTY OF MILESTONE AV TECHNOLOGIES NEITHER THIS DESIGN NOR ANY INFORMATION CONTAINED IN THIS DRAWING MAY BE REPRODUCED OR DISCLOSED TO OTHERS WITHOUT THE EXPRESS WRITTEN CONSENT OF MILESTONE AV TECHNOLOGIES.

CAD GENERATED DRAWING, DO NOT MANUALLY UPDATE.				6436 CITY WEST PKWY EDEN PRAIRIE MN, 55344 PHONE: 866-977-3901 FAX: 877-894-6918	
DRAWN BY	JF	4/10/2015		DESCRIPTION <b>FUSION VIEWSHARE KIT- XL DISPLAYS</b>	
ENG APPROVAL			MODEL NO. <b>FCA810V &amp; FCA810VE</b>		
MFG APPROVAL			SIZE	DWG. NO.	REV.
QA APPROVAL			B	TECH-000685	00
SHEET 2 OF 5			SCALE		
			1:5		

### FUSION CEILING/CART BELOW MOUNT SETUP



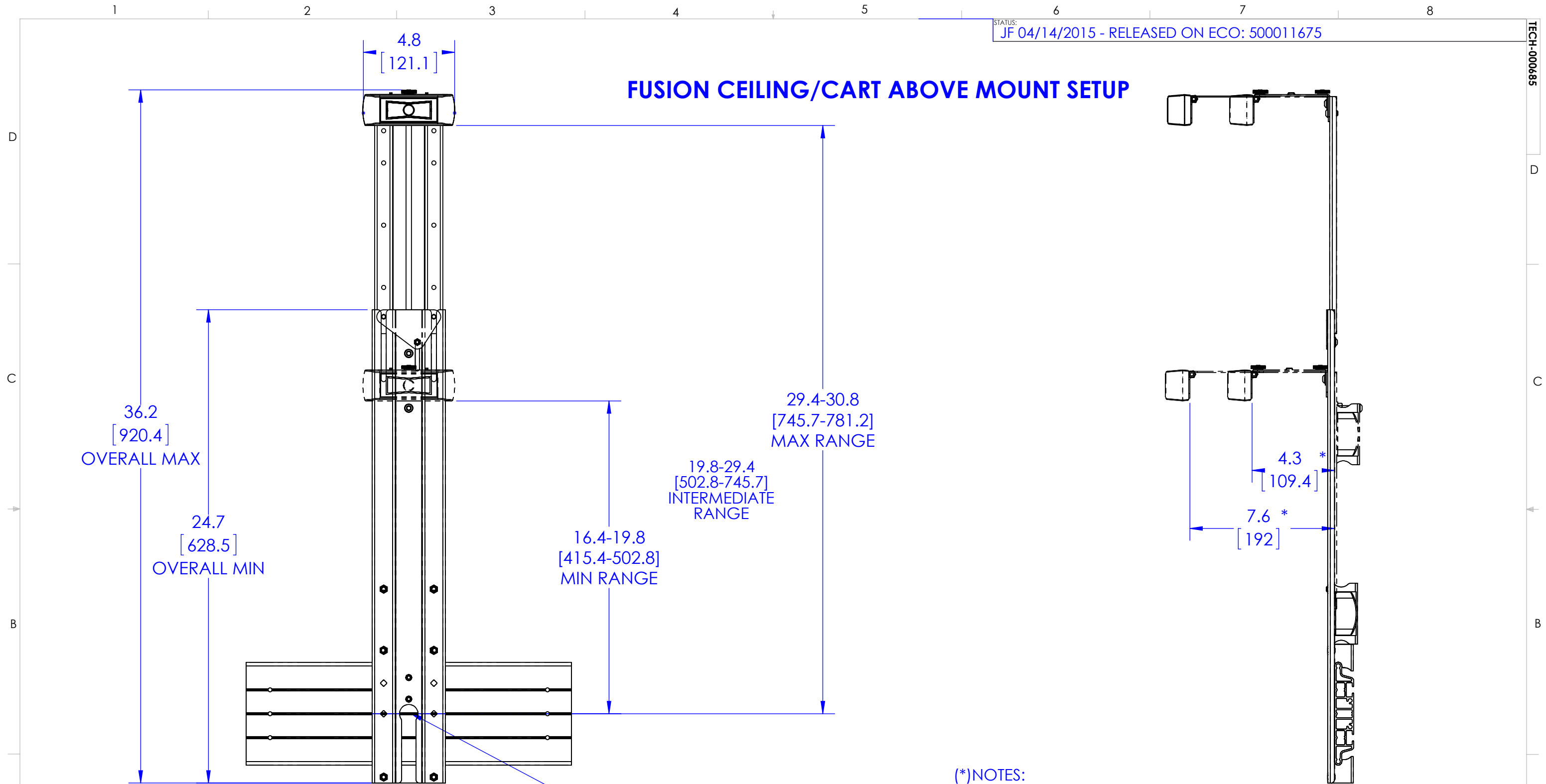
(\*)NOTES:

- TYPICAL SINGLE DISPLAY MODELS HAVE INTERFACE DEPTHS 0.5" [12.7]
- TYPICAL DUAL DISPLAY MODELS HAVE INTERFACE DEPTHS 1.9" [48.3]
- FCA623 DUAL MONITOR INTERFACES ARE 1.4" DEEP [35.6]

THE INFORMATION AND DESIGNS CONTAINED IN THIS DRAWING ARE CONFIDENTIAL AND THE PROPRIETARY PROPERTY OF MILESTONE AV TECHNOLOGIES NEITHER THIS DESIGN NOR ANY INFORMATION CONTAINED IN THIS DRAWING MAY BE REPRODUCED OR DISCLOSED TO OTHERS WITHOUT THE EXPRESS WRITTEN CONSENT OF MILESTONE AV TECHNOLOGIES.

CAD GENERATED DRAWING, DO NOT MANUALLY UPDATE.				6436 CITY WEST PKWY EDEN PRAIRIE MN, 55344 PHONE: 866-977-3901 FAX: 877-894-6918	
DRAWN BY	JF	4/10/2015		DESCRIPTION <b>FUSION VIEWSHARE KIT- XL DISPLAYS</b>	
ENG APPROVAL			MODEL NO. <b>FCA810V &amp; FCA810VE</b>		
MFG APPROVAL			SIZE	DWG. NO.	REV.
QA APPROVAL			B	TECH-000685	00
SHEET 3 OF 5			SCALE		
			1:5		

### FUSION CEILING/CART ABOVE MOUNT SETUP



(\*)NOTES:

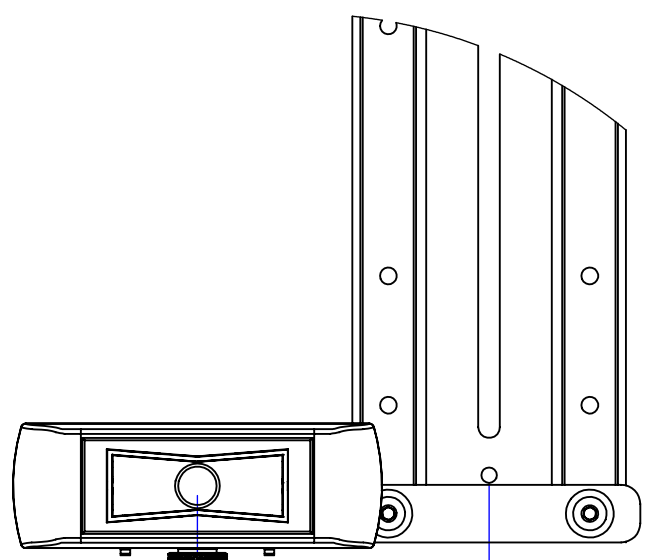
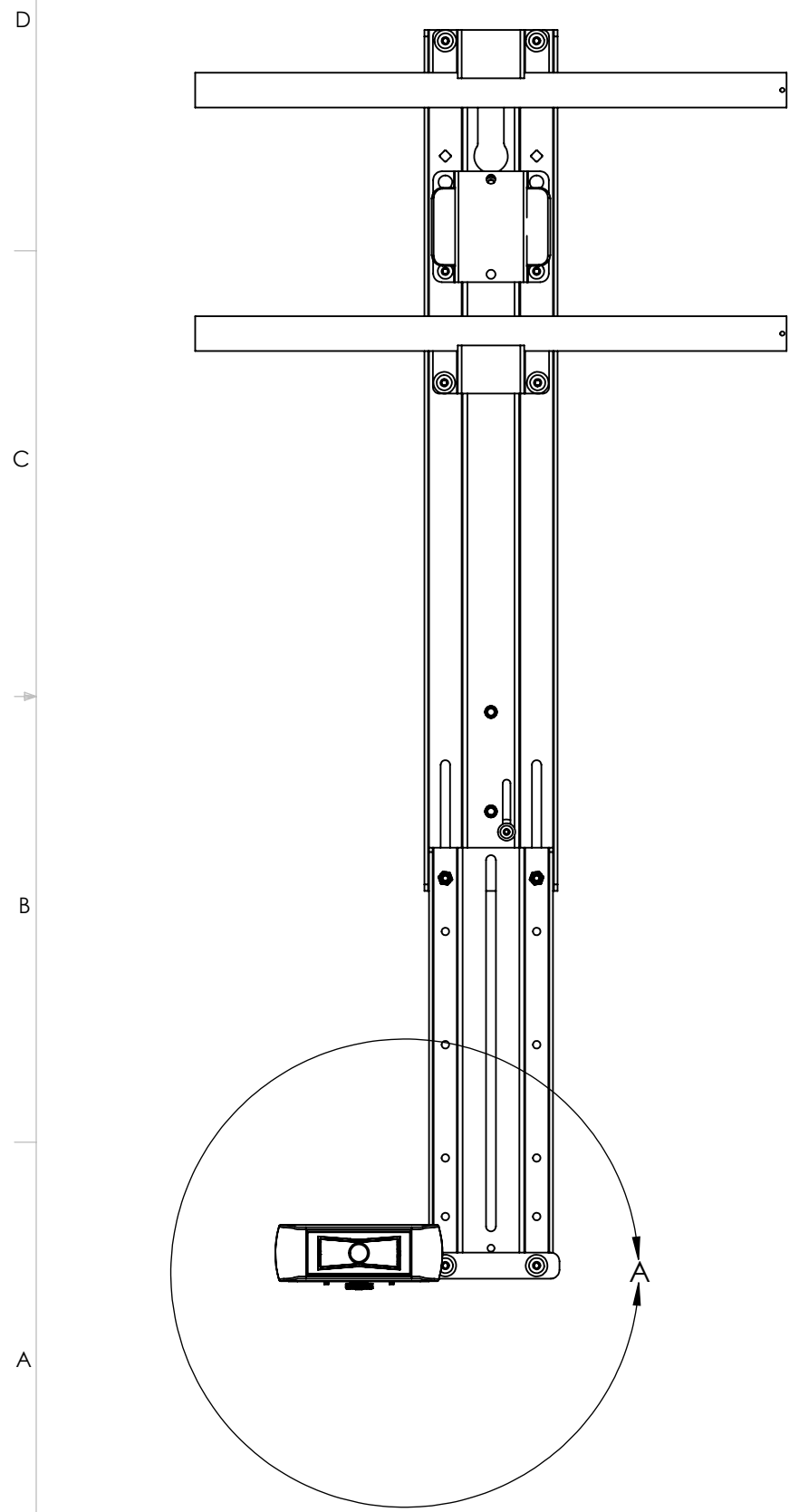
- TYPICAL SINGLE DISPLAY MODELS HAVE INTERFACE DEPTHS 0.5" [12.7]
- TYPICAL DUAL DISPLAY MODELS HAVE INTERFACE DEPTHS 1.9" [48.3]
- FCA623 DUAL MONITOR INTERFACES ARE 1.4" DEEP [35.6]

CENTER OF MOUNT

THE INFORMATION AND DESIGNS CONTAINED IN THIS DRAWING ARE CONFIDENTIAL AND THE PROPRIETARY PROPERTY OF MILESTONE AV TECHNOLOGIES NEITHER THIS DESIGN NOR ANY INFORMATION CONTAINED IN THIS DRAWING MAY BE REPRODUCED OR DISCLOSED TO OTHERS WITHOUT THE EXPRESS WRITTEN CONSENT OF MILESTONE AV TECHNOLOGIES.

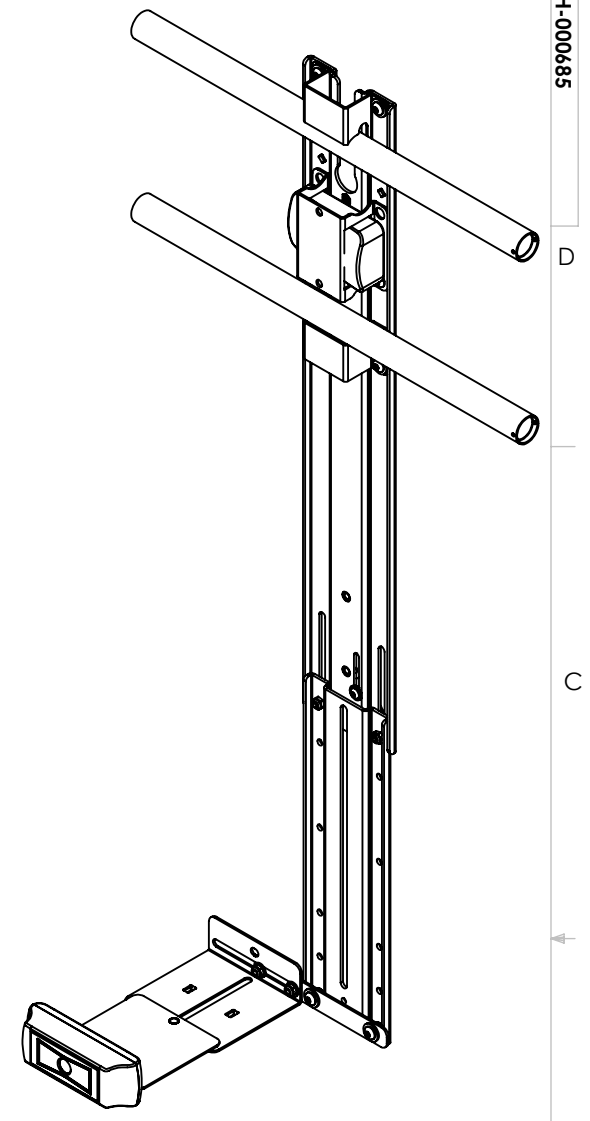
CAD GENERATED DRAWING, DO NOT MANUALLY UPDATE.				6436 CITY WEST PKWY EDEN PRAIRIE MN, 55344 PHONE: 866-977-3901 FAX: 877-894-6918	
DRAWN BY	JF	4/10/2015		DESCRIPTION <b>FUSION VIEWSHARE KIT- XL DISPLAYS</b>	
ENG APPROVAL			MODEL NO. <b>FCA810V &amp; FCA810VE</b>		
MFG APPROVAL			SIZE	DWG. NO.	REV.
QA APPROVAL			B	TECH-000685	00
SHEET 4 OF 5			SCALE		
			1:5		

### OFFSET FEATURE SETUP



3.8  
[96.4]  
OFFSET MAX

DETAIL A  
SCALE 2 : 5



**THE INFORMATION AND DESIGNS CONTAINED IN THIS DRAWING ARE CONFIDENTIAL AND THE PROPRIETARY PROPERTY OF MILESTONE AV TECHNOLOGIES NEITHER THIS DESIGN NOR ANY INFORMATION CONTAINED IN THIS DRAWING MAY BE REPRODUCED OR DISCLOSED TO OTHERS WITHOUT THE EXPRESS WRITTEN CONSENT OF MILESTONE AV TECHNOLOGIES.**

CAD GENERATED DRAWING, DO NOT MANUALLY UPDATE.			6436 CITY WEST PKWY EDEN PRAIRIE MN, 55344 PHONE: 866-977-3901 FAX: 877-894-6918
DRAWN BY	JF	4/10/2015	
ENG APPROVAL			DESCRIPTION
MFG APPROVAL			<b>FUSION VIEWSHARE KIT- XL DISPLAYS</b>
QA APPROVAL			MODEL NO.
SHEET 5 OF 5			<b>FCA810V &amp; FCA810VE</b>
SCALE	1:5	SIZE	DWG. NO.
		<b>B</b>	<b>TECH-000685</b>
		REV.	<b>00</b>