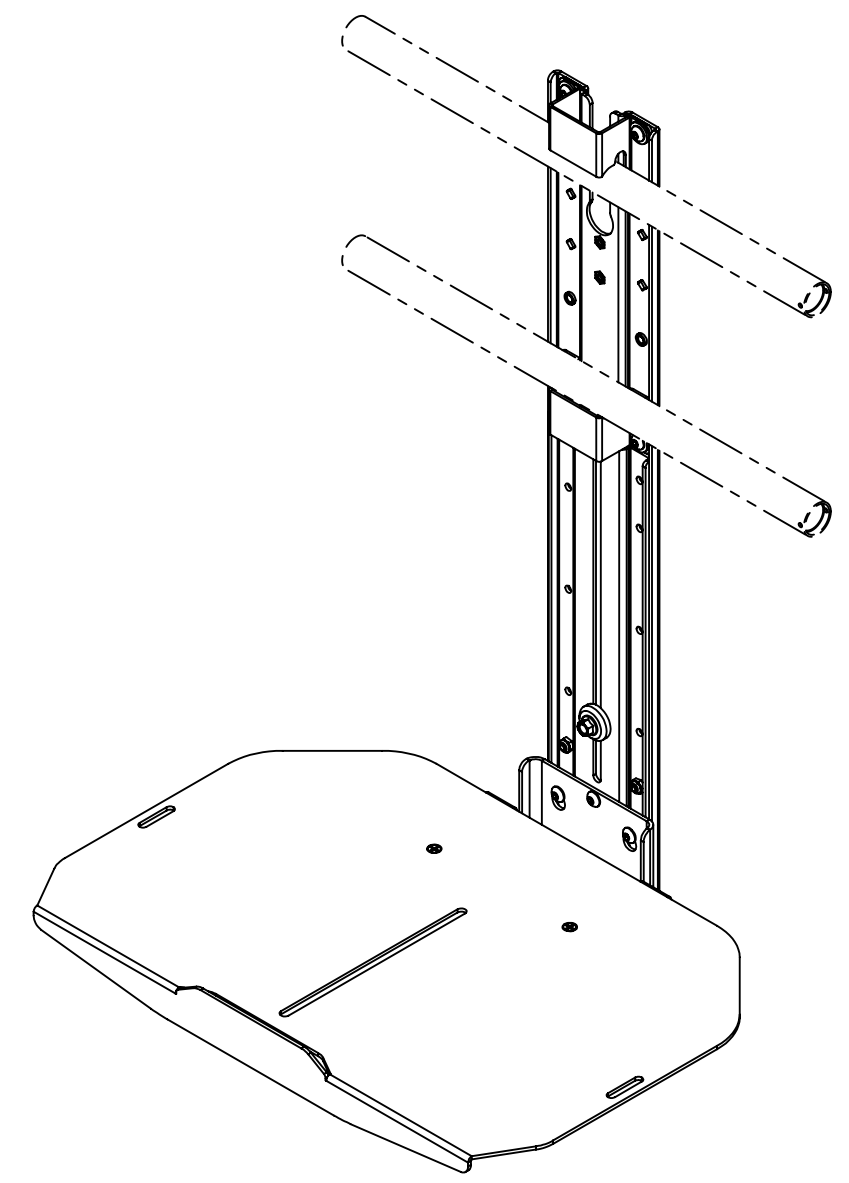
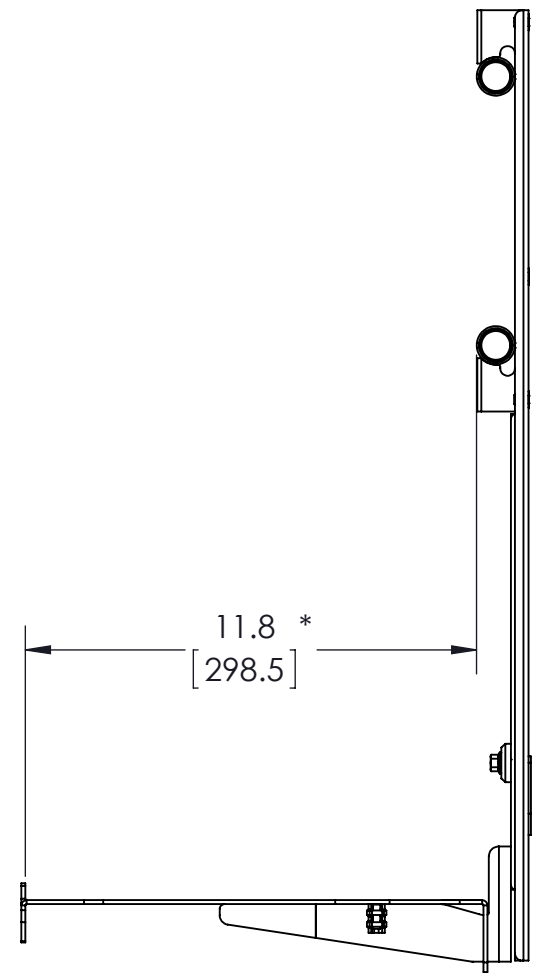
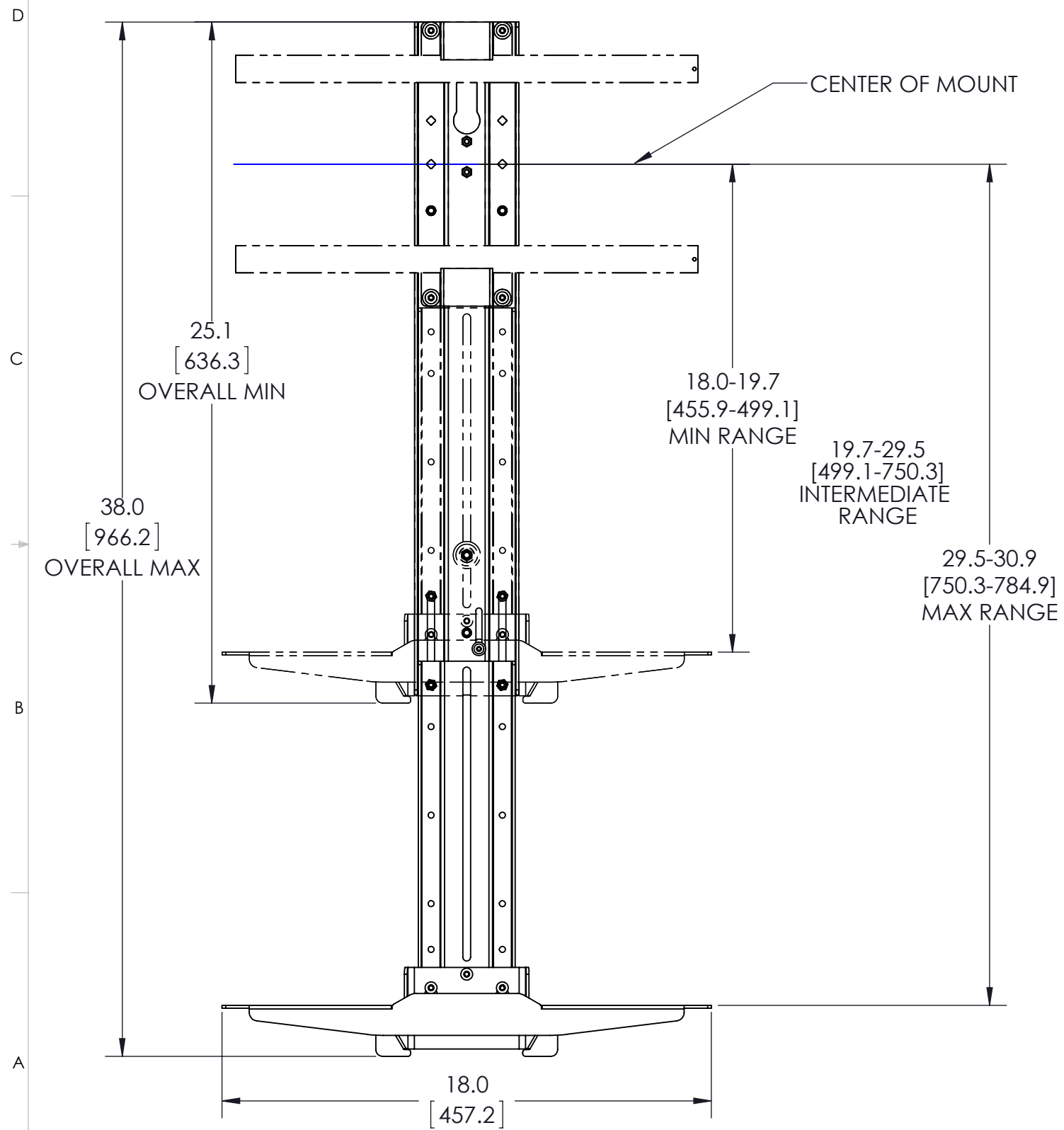


FUSION WALL BELOW MOUNT SETUP



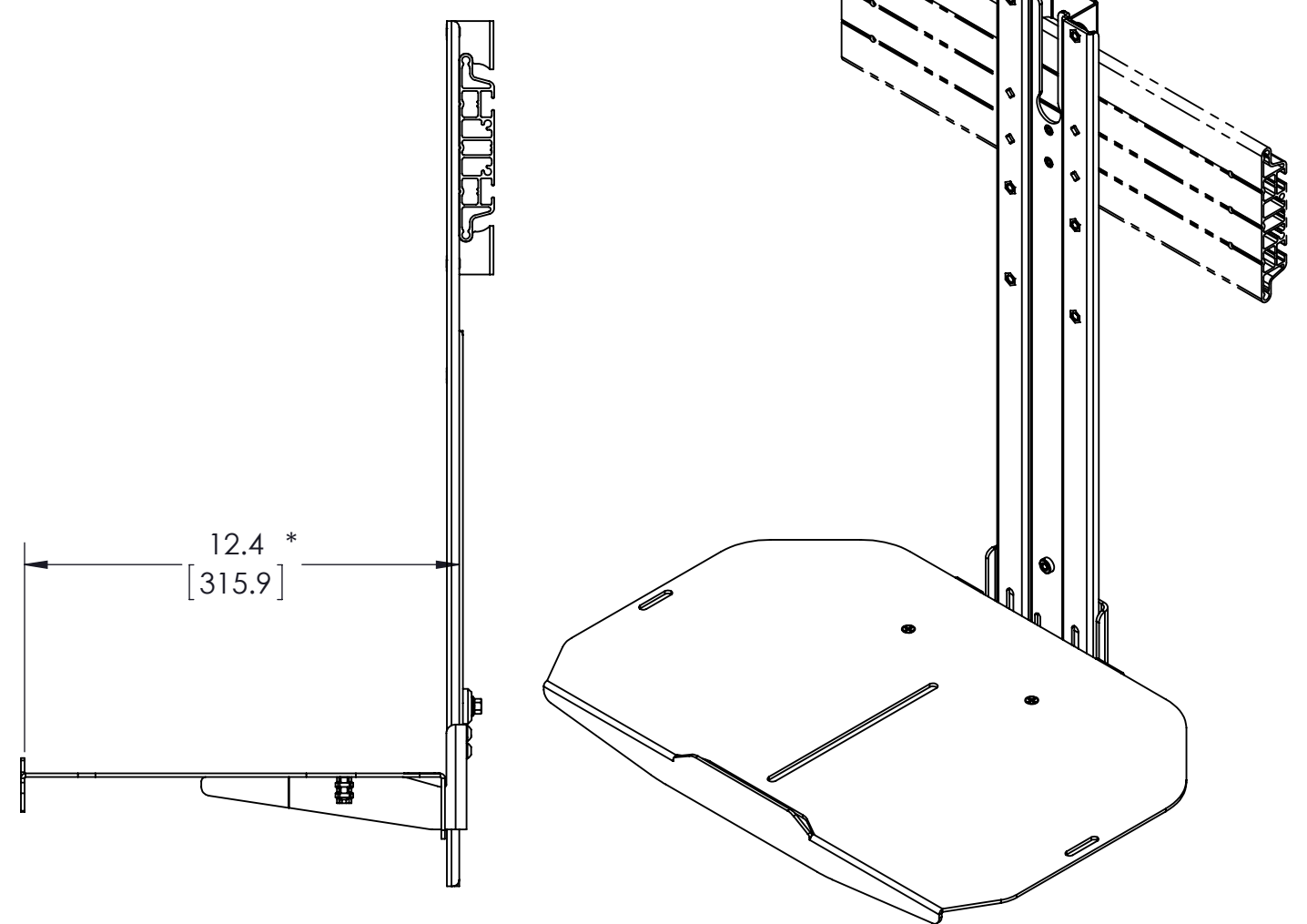
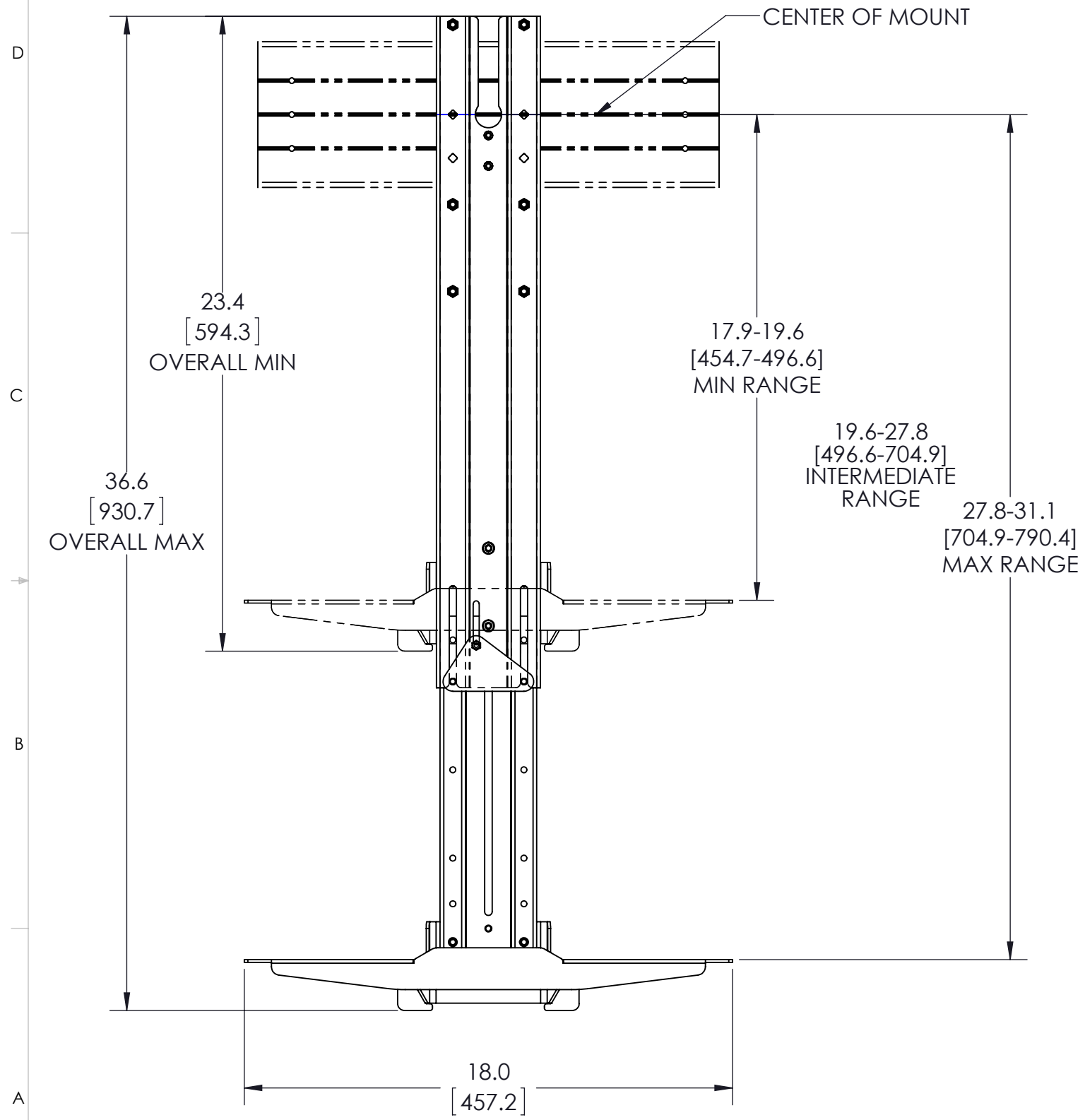
(*)NOTES:

- TYPICAL FUSION INTERFACES ARE 0.5" [12.7] DEEP

THE INFORMATION AND DESIGNS CONTAINED IN THIS DRAWING ARE CONFIDENTIAL AND THE PROPRIETARY PROPERTY OF MILESTONE AV TECHNOLOGIES NEITHER THIS DESIGN NOR ANY INFORMATION CONTAINED IN THIS DRAWING MAY BE REPRODUCED OR DISCLOSED TO OTHERS WITHOUT THE EXPRESS WRITTEN CONSENT OF MILESTONE AV TECHNOLOGIES.

CAD GENERATED DRAWING, DO NOT MANUALLY UPDATE.			CHIEF		6436 CITY WEST PKWY EDEN PRAIRIE MN, 55344 PHONE: 866-977-3901 FAX: 877-894-6918
DRAWN BY	JF	3/17/2015	DESCRIPTION		
ENG APPROVAL			FCA812 XFUSION LARGE COMPONENT SHELF		
MFG APPROVAL			MODEL NO.		
QA APPROVAL			FCA812		
SHEET 1 OF 2		SCALE	SIZE	DWG. NO.	REV.
		1:5	B	TECH-000677	00

FUSION CEILING BELOW MOUNT SETUP



(*)NOTES:

- TYPICAL SINGLE DISPLAY MODELS HAVE INTERFACE DEPTHS .5" [12.7]
- TYPICAL DUAL DISPLAY MODELS HAVE INTERFACE DEPTHS 1.9" [48.3]
- FCA623 DUAL MONITOR INTERFACES ARE 1.4" DEEP [35.6]

THE INFORMATION AND DESIGNS CONTAINED IN THIS DRAWING ARE CONFIDENTIAL AND THE PROPRIETARY PROPERTY OF MILESTONE AV TECHNOLOGIES NEITHER THIS DESIGN NOR ANY INFORMATION CONTAINED IN THIS DRAWING MAY BE REPRODUCED OR DISCLOSED TO OTHERS WITHOUT THE EXPRESS WRITTEN CONSENT OF MILESTONE AV TECHNOLOGIES.

CAD GENERATED DRAWING, DO NOT MANUALLY UPDATE.			CHIEF		6436 CITY WEST PKWY EDEN PRAIRIE MN, 55344 PHONE: 866-977-3901 FAX: 877-894-6918
DRAWN BY	JF	3/17/2015	DESCRIPTION FCA812 XFUSION LARGE COMPONENT SHELF		
ENG APPROVAL			MODEL NO. FCA812		
MFG APPROVAL			SIZE	DWG. NO.	REV.
QA APPROVAL			B	TECH-000677	00
SHEET 2 OF 2		SCALE 1:5			