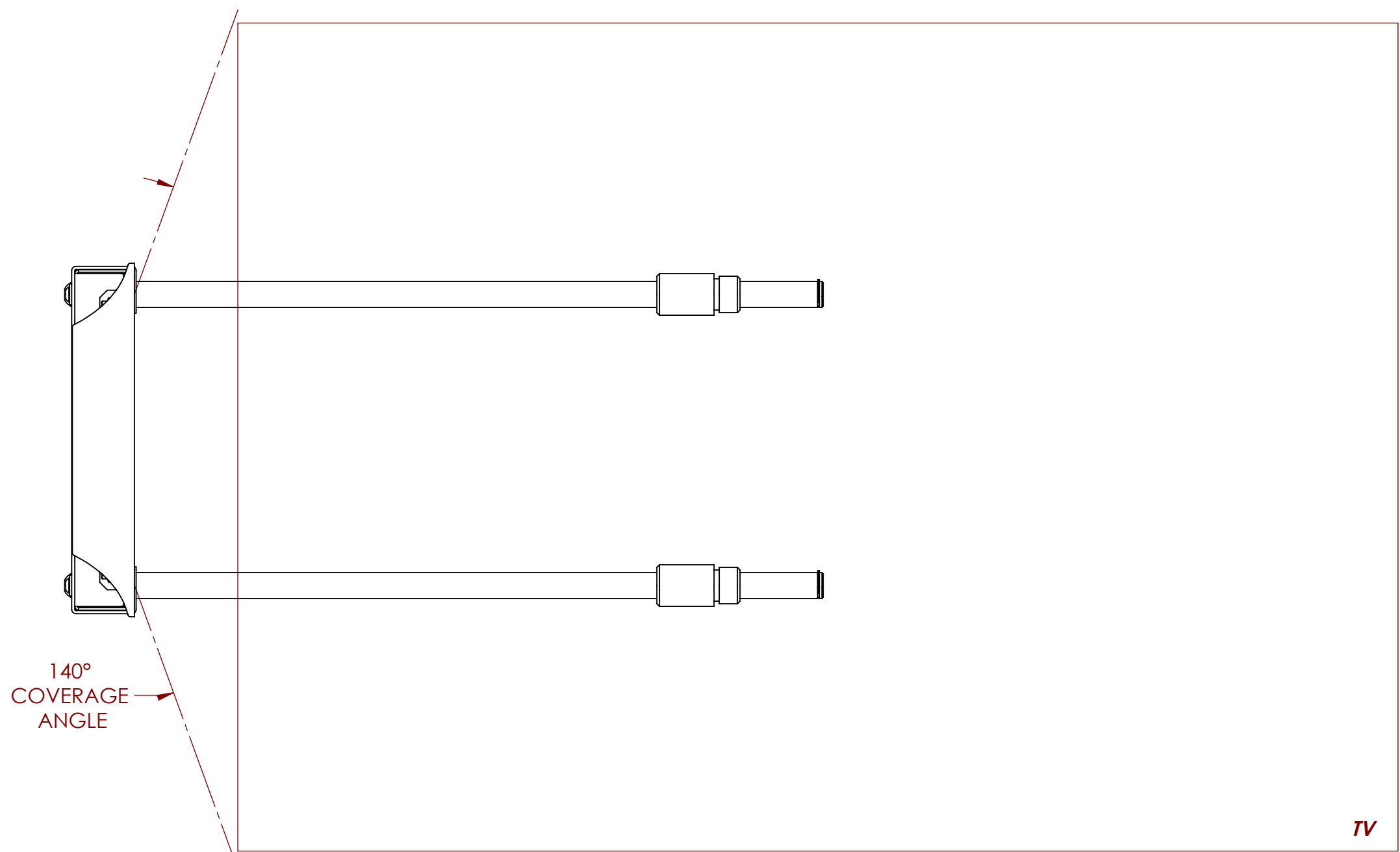


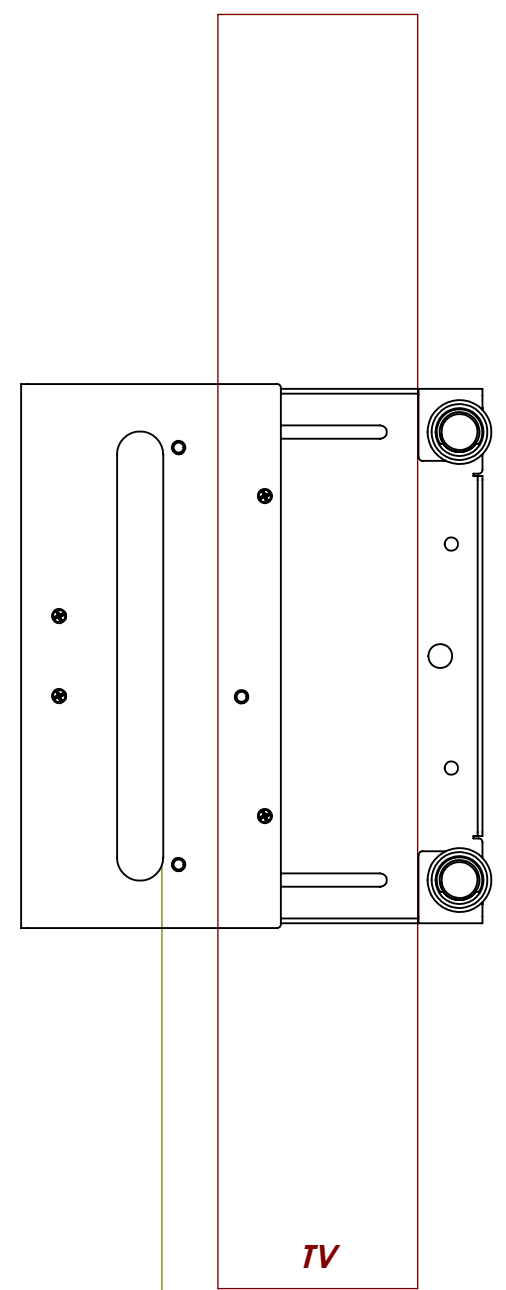
THE INFORMATION AND DESIGNS CONTAINED IN THIS DRAWING ARE CONFIDENTIAL AND THE PROPRIETARY PROPERTY OF MILESTONE AV TECHNOLOGIES NEITHER THIS DESIGN NOR ANY INFORMATION CONTAINED IN THIS DRAWING MAY BE REPRODUCED OR DISCLOSED TO OTHERS WITHOUT THE EXPRESS WRITTEN CONSENT OF MILESTONE AV TECHNOLOGIES.

CAD GENERATED DRAWING, DO NOT MANUALLY UPDATE.		<p>6436 CITY WEST PKWY EDEN PRAIRIE MN, 55344 PHONE: 866-977-3901 FAX: 877-894-6918</p>
DRAWN BY	TLC 3/19/2012	
ENG APPROVAL	3/19/2012	DESCRIPTION INTERACTIVE UPGRADE KIT, FUSION
MFG APPROVAL		MODEL NO. FCI
QA APPROVAL		SIZE DWG. NO. REV. B TECH-000019 00
SHEET 1 OF 2		SCALE 1:4



140°
COVERAGE
ANGLE

FOR BEST RESULTS: SLIDE THE SENSOR OUT UNTIL THE CORNERS OF THE TV ARE WITHIN THE COVERAGE AREA



0.88
[22.2]
RECOMMENDED SPACING

THE INFORMATION AND DESIGNS CONTAINED IN THIS DRAWING ARE CONFIDENTIAL AND THE PROPRIETARY PROPERTY OF MILESTONE AV TECHNOLOGIES NEITHER THIS DESIGN NOR ANY INFORMATION CONTAINED IN THIS DRAWING MAY BE REPRODUCED OR DISCLOSED TO OTHERS WITHOUT THE EXPRESS WRITTEN CONSENT OF MILESTONE AV TECHNOLOGIES.

CAD GENERATED DRAWING, DO NOT MANUALLY UPDATE.		
DRAWN BY	TLC	3/19/2012
ENG APPROVAL		3/19/2012
MFG APPROVAL		
QA APPROVAL		
SHEET 2 OF 2		SCALE 1:3

	6436 CITY WEST PKWY EDEN PRAIRIE MN, 55344 PHONE: 866-977-3901 FAX: 877-894-6918	
	DESCRIPTION INTERACTIVE UPGRADE KIT, FUSION	
MODEL NO. FCI		REV. 00
SIZE B	DWG. NO. TECH-000019	