

8

7

6

5

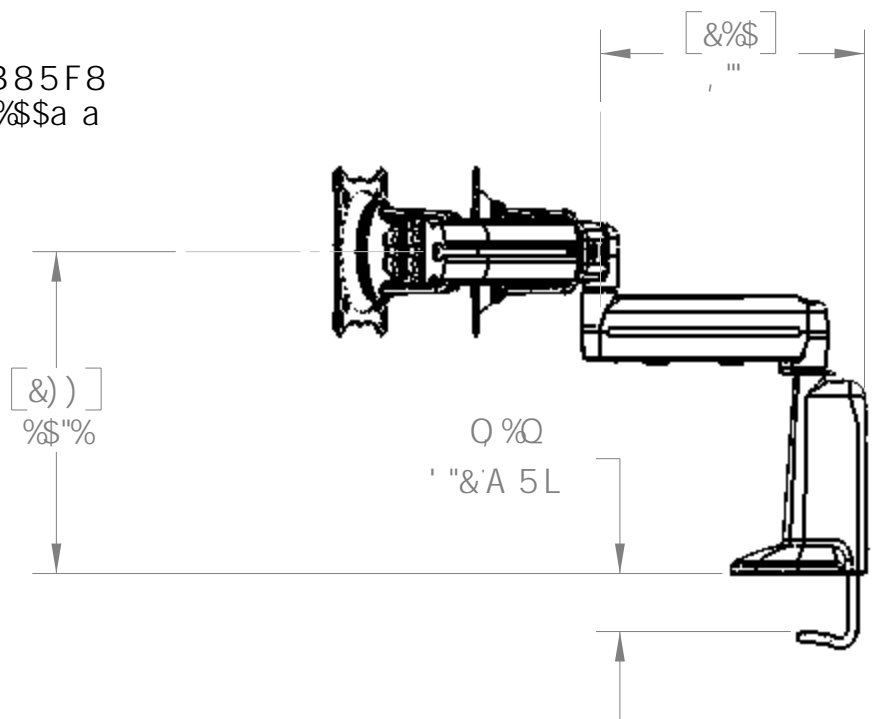
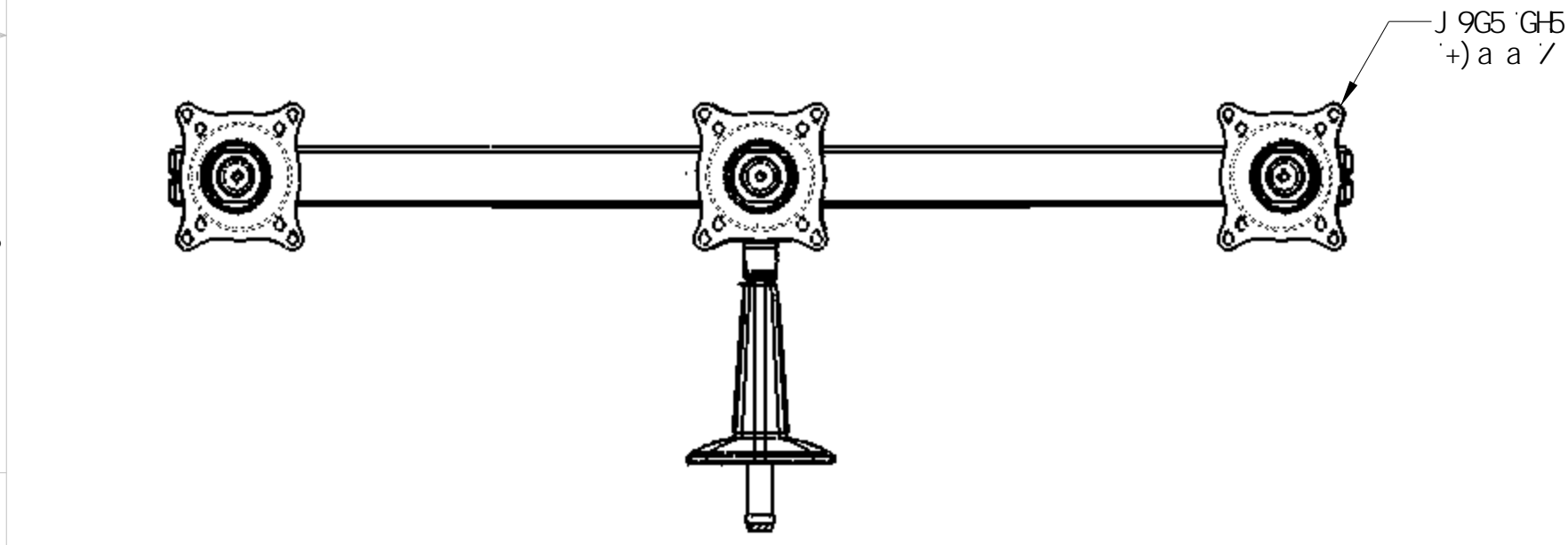
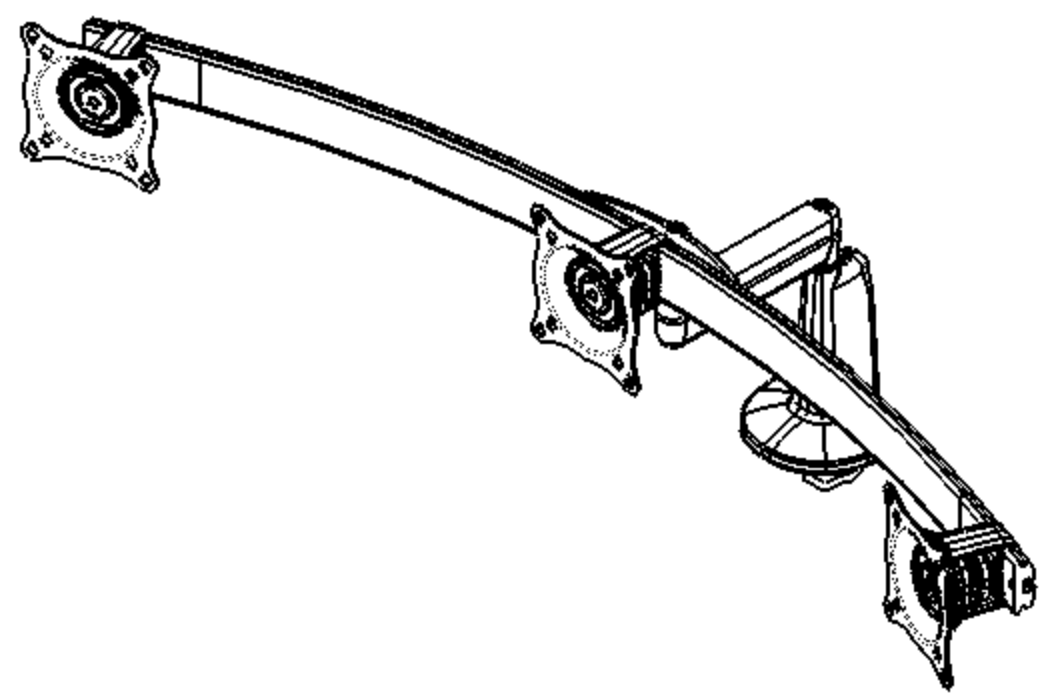
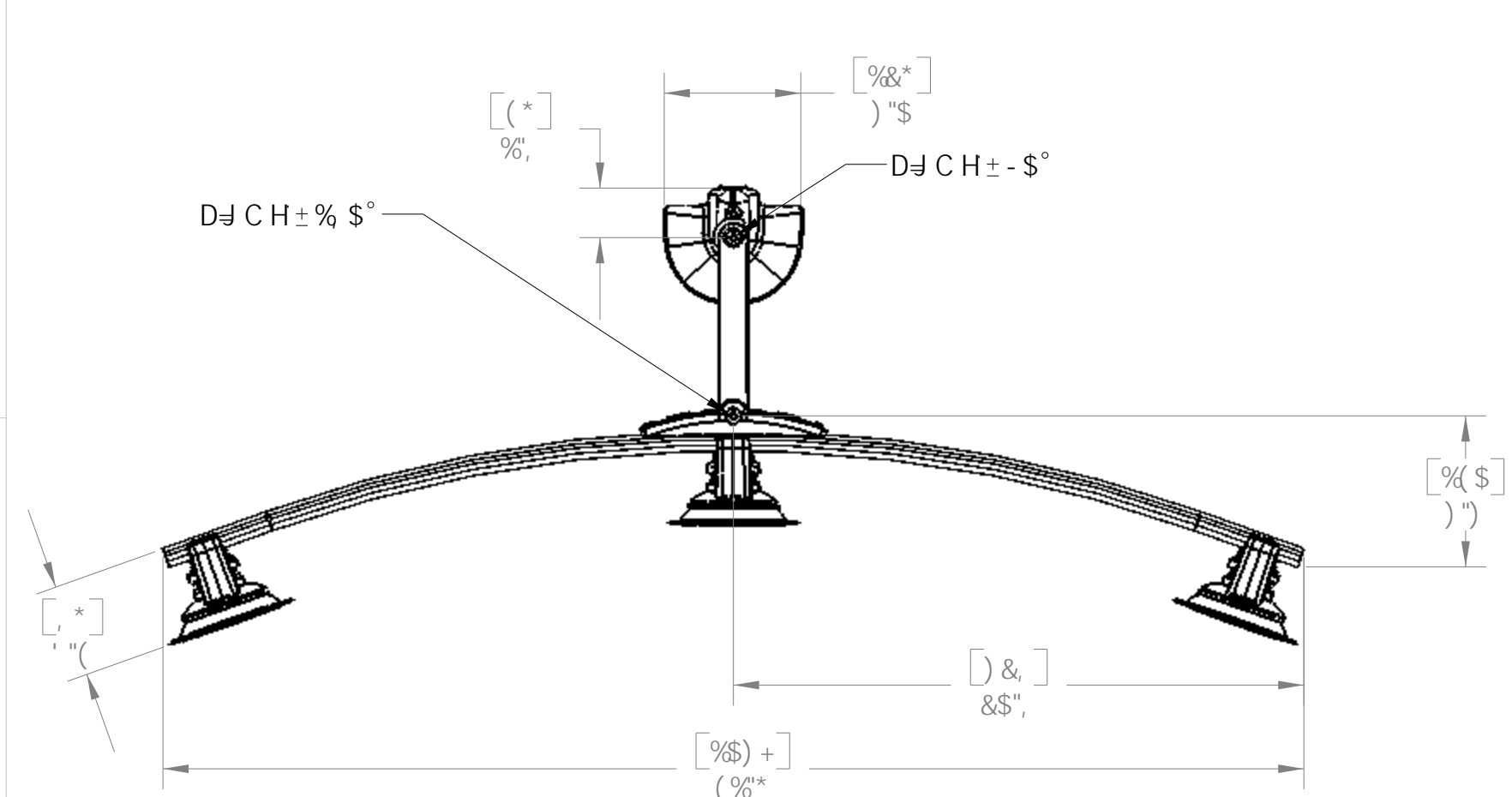
7 G' &\$

8

7

6

5



7 < 9: A 5BI : 57H F-B; 'B7"
 A CI BHCF89F 'BI A 69F 'G: 7 G' &\$
 D < CB9. %, \$\$!), & * (, \$

H 9-B: CFA 5HCB '5B8 '89G- BG7CBH5-B98
 -B 'K-G'8F5K -B; '5F97CB: -89BH5@5B8 'K9
 DFCDF-9-5FMDFC D9FMC: 7 < 9: 'A: ; 'Z-B7"
 B9H9F 'K-G'89G- B 'BCF '5BM-B: CFA 5HCB
 7CBH5-B98 -B 'K-G'8F5K -B; 'A 5M69
 F9DFC8I 798 'CF '8-67 @G98 'HC 'CH9FG
 K 'KCI 'HK99LDF9GGK F#H9B 7CBG9BHC:
 7 < 9: 'A: ; 'Z-B7"

CHIEF 7 < 9: A 5BI : 57H F-B; Z-B7"
 %&SS<K M% GC1H: G97)SS1GSJ5: 92AB))' +
 %&SS7), 8*(. \$1ZU1 %; ++; -('"- %
 H#89
 7I GCA 9' DF-BH
 : 7 G' &\$
 G97 'BK: 'BC"
 6 : 7 G' &\$