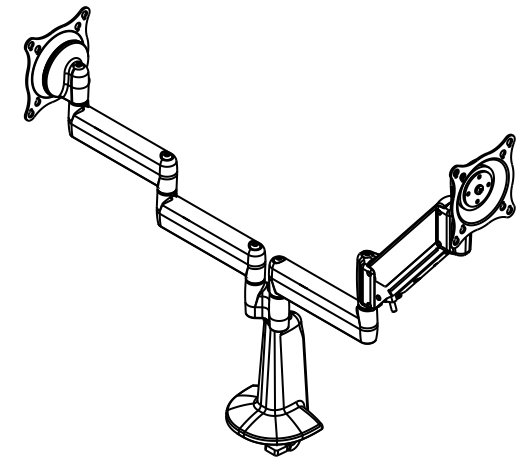
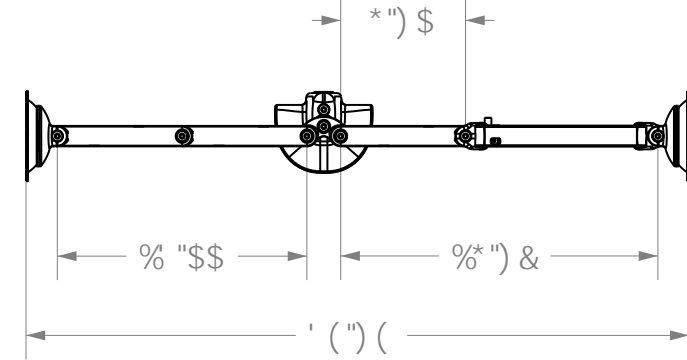
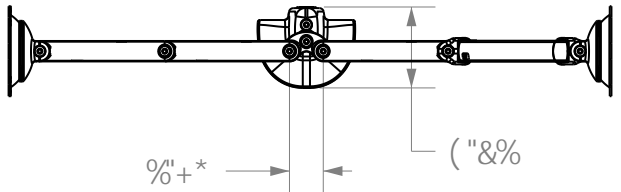
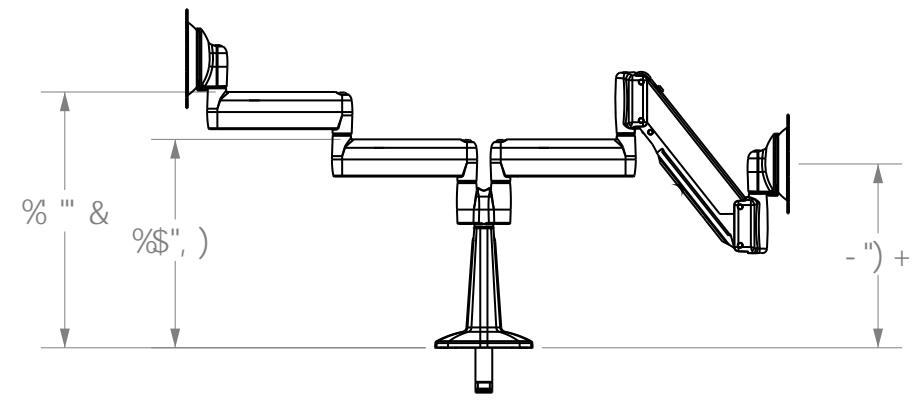
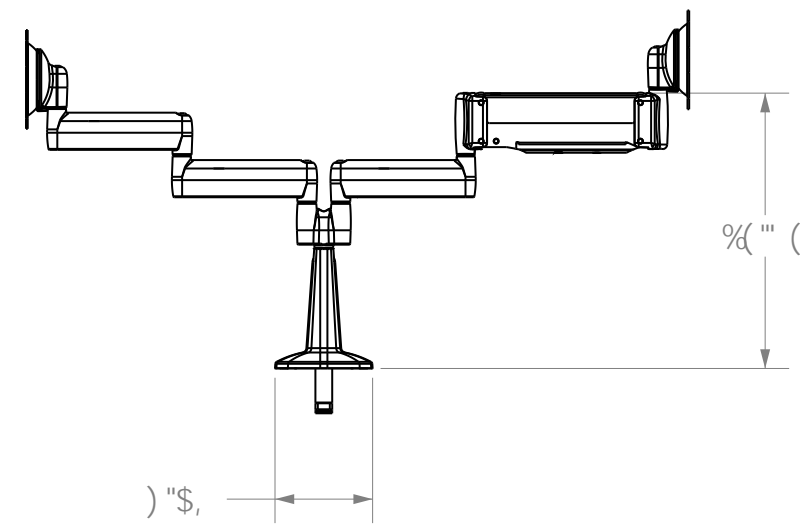
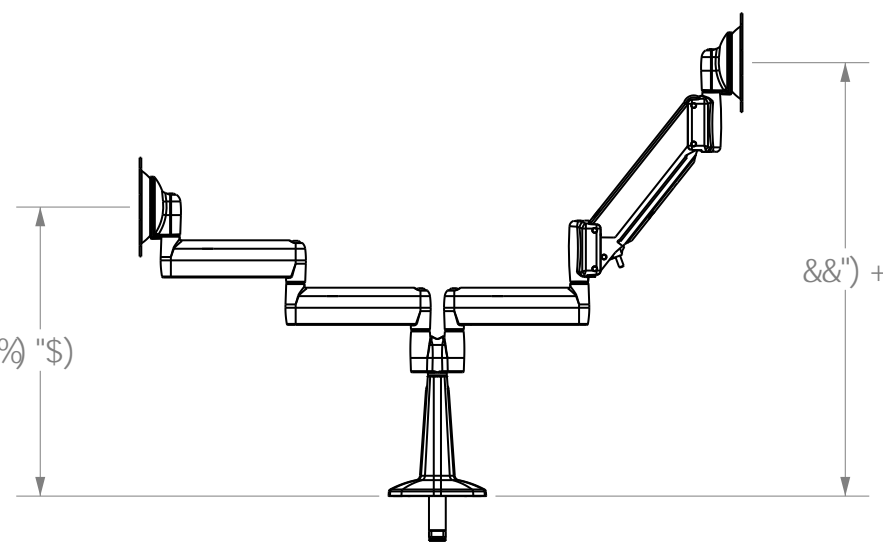


8



7



5



7<=> A5BI:57HF-B; 'B7"
 ACIBHCF89'BI A69'G:7M&/%\$
 D<CB9.%,\$\$!), &* (, \$

G<99HG7 5@9'1'%/%\$

H<9-B:CFA5HCB'5B8'89G; BG7CBH5-B98
 -B'K-G'8F5K-B; '5F97CB:-89BH5@5B8'H<9
 DFCDF-9'5FMDFC D9'FMC: 7<=> 'A:; 'Z-B7"
 B9'H<9'K-G'89G; B'BCF'5BM-B:CFA5HCB
 7CBH5-B98-B'K-G'8F5K-B; 'A5M69
 F9DFC8I 798'CF'8-67@G98'HC'CH'9FG
 K-H<CI H<9'9LDF'9GK F-H9B 7CBG9BHC:
 7<=> 'A:; 'Z-B7"

CHIEF **7<=>:** A5BI:57HF-B; Z-B7"
 (\$%95: @97 F997 D7K MG97'+S\$2G5J5: 92A B'')' +,
%,\$\$), 8''(, \$1:5L%,,+; -('-%
 H-H9
71GCA9F'DF-BH
:7M&/%\$
 G49'8K: 'BC'
6 :7M&/%\$

7M&/%\$

8

7

6

5