

1 2 3 4 5 6 7 8

FDP-4100

D

D

C

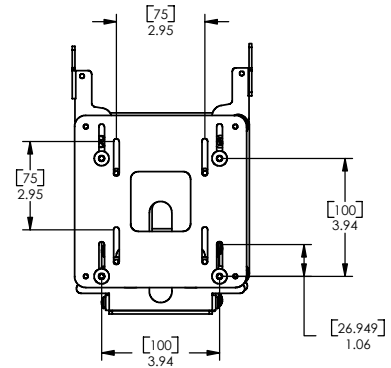
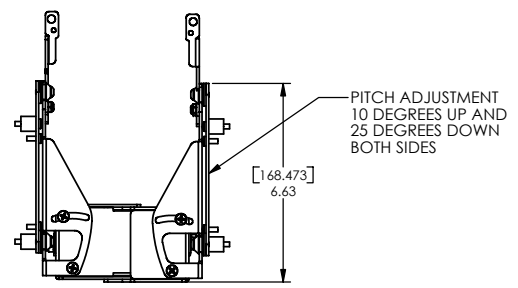
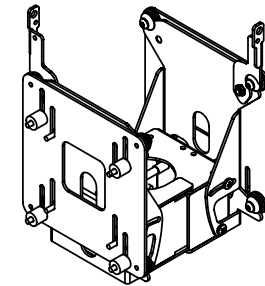
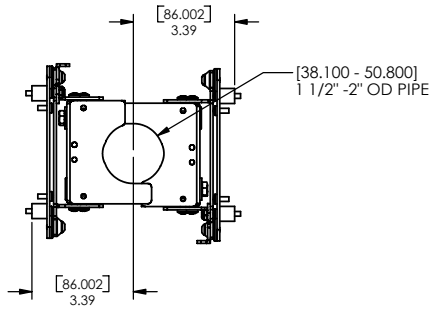
C

B

B

A

A



CHIEF MANUFACTURING INC.
ORDER NUMBER IS FDP-4100
PHONE: 1-800-582-6480

THE INFORMATION AND DESIGNS CONTAINED IN THIS DRAWING ARE CONFIDENTIAL AND THE PROPRIETARY PROPERTY OF CHIEF MFG., INC. NEITHER THIS DESIGN NOR ANY INFORMATION CONTAINED IN THIS DRAWING MAY BE REPRODUCED OR DISCLOSED TO OTHERS WITHOUT THE EXPRESS WRITTEN CONSENT OF CHIEF MFG., INC.

CHIEF MANUFACTURING, INC.
 12800 HWY 13 SOUTH STE. 500 • SAVAGE, MN. 55378
 1.800.582.6480 • fax 1.877.894.6918

TITLE
**CUSTOMER PRINT
 DUAL DISPLAY POLE MOUNT
 Q2 MOUNTING SYSTEM
 FDP-4100**

SIZE DWG. NO.
B FDP-4100

1 2 3 4 5 6 7 8