

1 2 3 4 5 6 7 8

FDP-4205

D

D

C

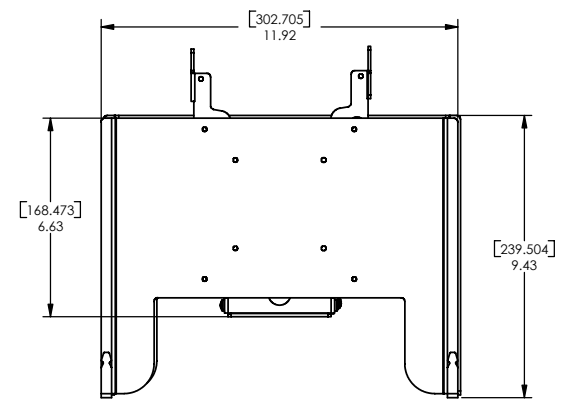
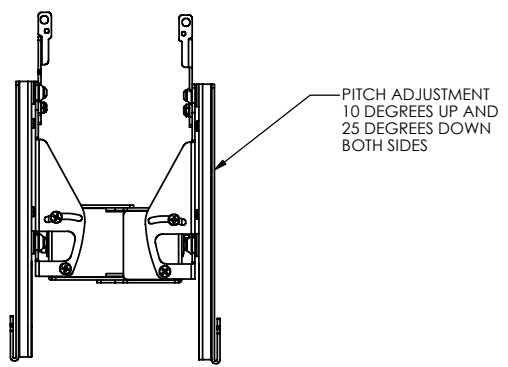
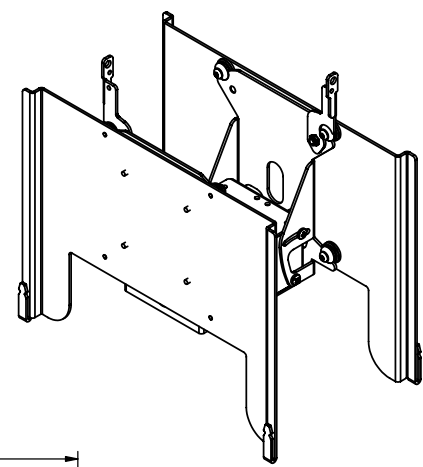
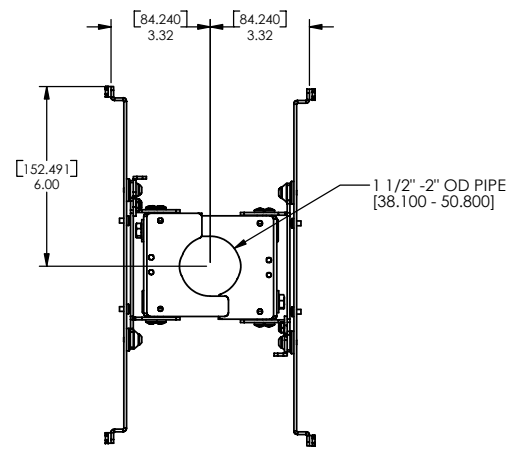
C

B

B

A

A



**CHIEF MANUFACTURING INC.**  
**ORDER NUMBER IS FDP-4205**  
**PHONE: 1-800-582-6480**

THE INFORMATION AND DESIGNS CONTAINED IN THIS DRAWING ARE CONFIDENTIAL AND THE PROPRIETARY PROPERTY OF CHIEF MFG., INC. NEITHER THIS DESIGN NOR ANY INFORMATION CONTAINED IN THIS DRAWING MAY BE REPRODUCED OR DISCLOSED TO OTHERS WITHOUT THE EXPRESS WRITTEN CONSENT OF CHIEF MFG., INC.

 <b>CHIEF</b> MANUFACTURING, INC. <small>12800 HWY 13 SOUTH STE. 500 • SAVAGE, MN. 55378  1-800-582-6480 • 10x 1.877.8194.6918</small>	
TITLE	<b>CUSTOMER PRINT DUAL DISPLAY POLE MOUNT Q2 MOUNTING SYSTEM FDP-4205</b>
SIZE	DWG. NO.
<b>B</b>	<b>FDP-4205</b>

1 2 3 4 5 6 7 8