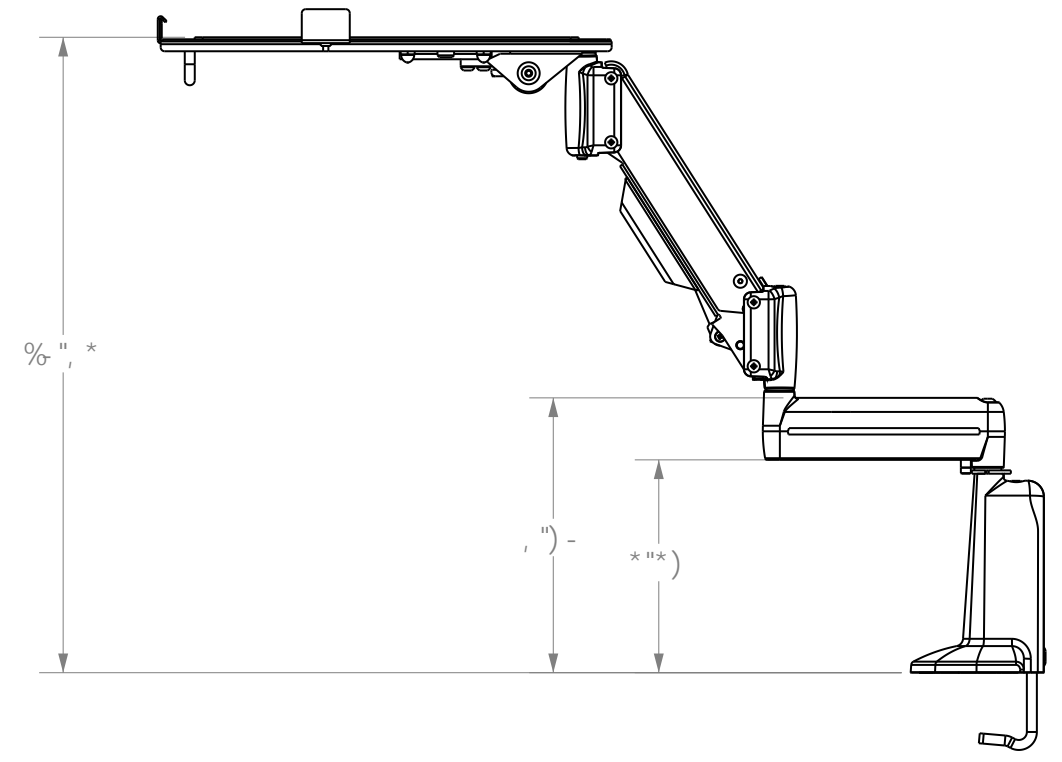
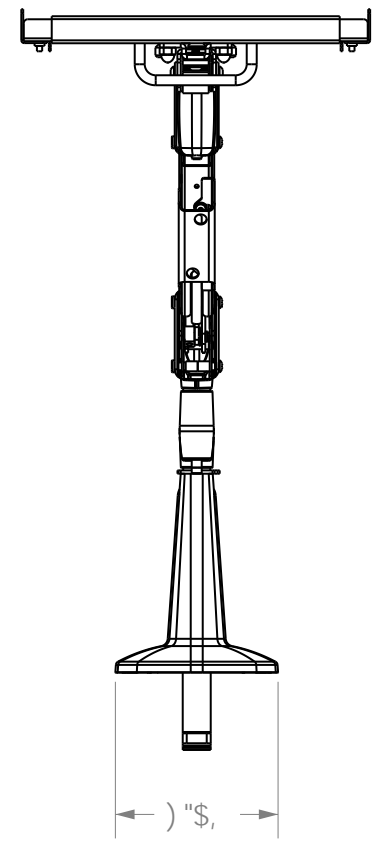
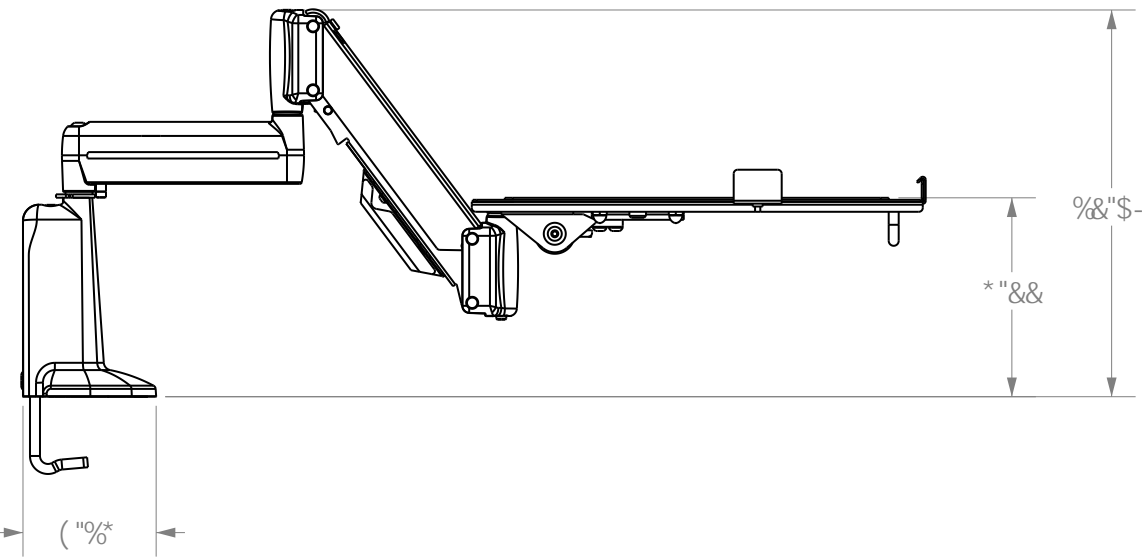
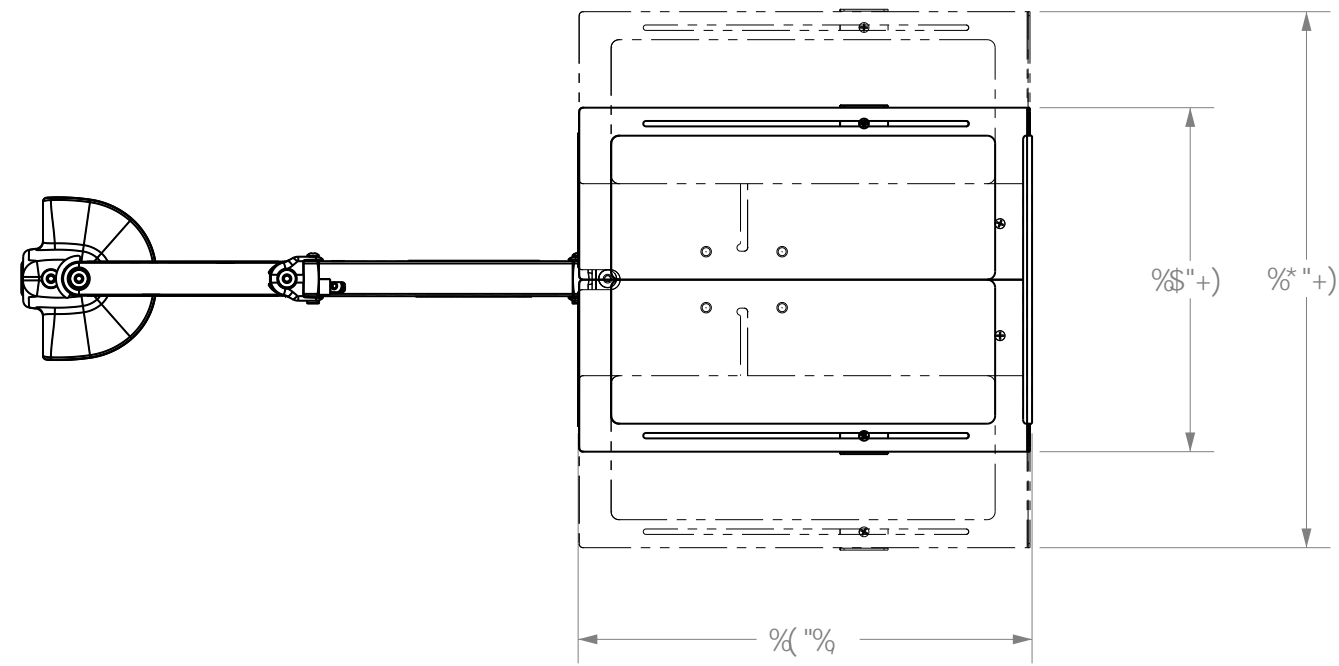


8
7
6
5



7 < 9. A 5BI : 57H FB; `B7"
 A CI BHC F89 BI A 69F `G?; @%8\$
 D<CB9.%, \$!), &* (, \$

G<99HG7 5 @'1 %*

Hk9-B: CFA 5HCB `5B8 `89G; BG7CBH5-B98
 -B`k-G8F5K -B; `5F97CB: -89BH5@5B8`k9
 DFCDF-9-5FMDFC D9FMC: 7<-9. `A: ; `Z-B7"
 B9Hk9`k-G89G; B`BCF `5BM-B: CFA 5HCB
 7CBH5-B98 -B`k-G8F5K -B; `A 5M69
 F9DFC 8I 798`CF `8-67 @G98`HC`CH`9FG
 K`kCI`Hk99LDF9GGK F#H9B 7CB99BHC:
 7<-9. `A: ; `Z-B7"

CHIEF (\$%95; @9 7 F99? D?M
 G #P. +\$\$
 (5J5: 92A B))' +,
 D<CB9.~) & .-(1* & \$
 :5L.; ++, -(1*-%

H#99
71 GCA 9F`DF-BH
 ?; @%8\$

GAP`BK: `BC*
 6 ?; @%8\$

8
7
6
5