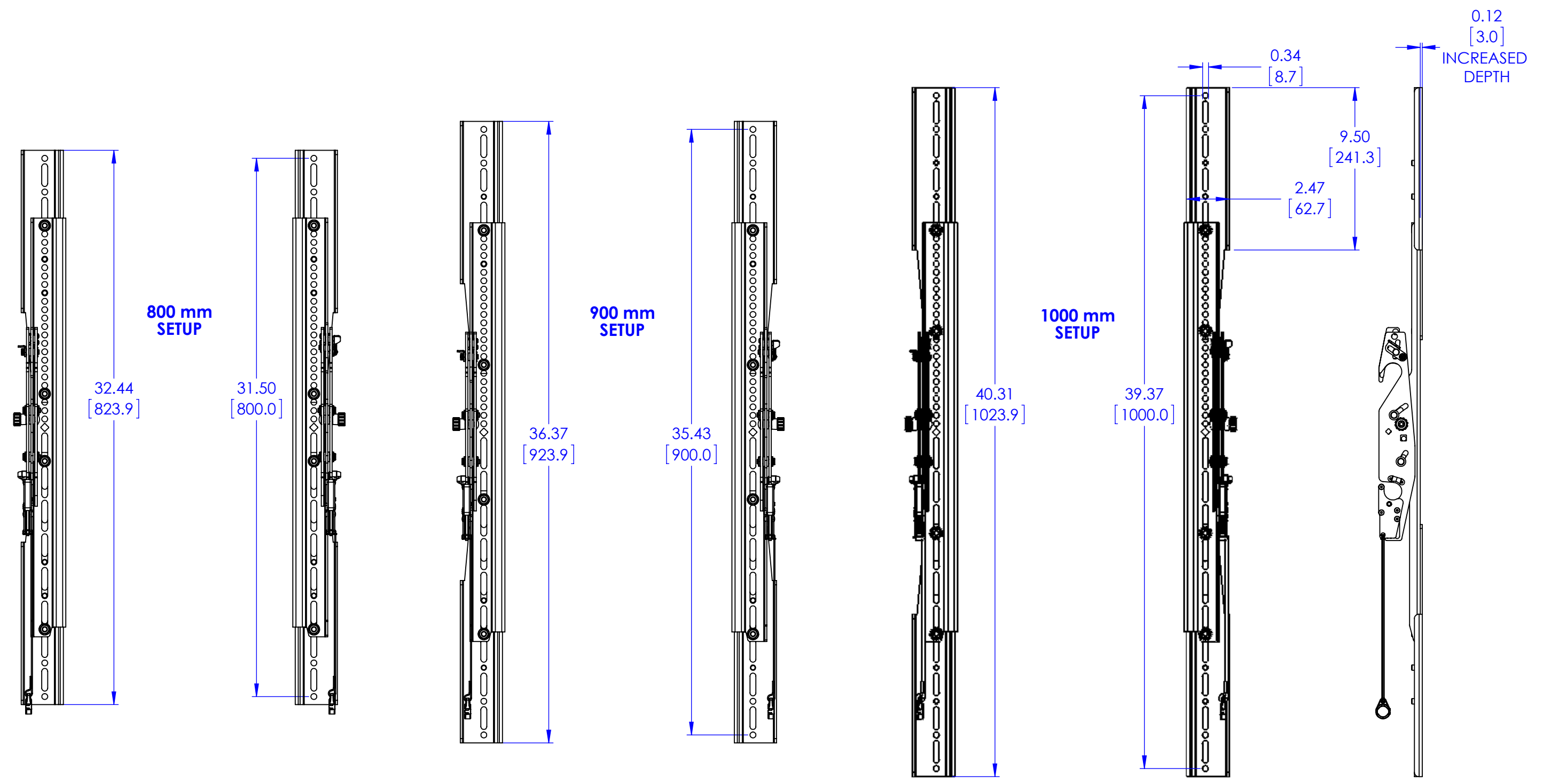


THE INFORMATION AND DESIGNS CONTAINED IN THIS DRAWING ARE CONFIDENTIAL AND THE PROPRIETARY PROPERTY OF MILESTONE AV TECHNOLOGIES NEITHER THIS DESIGN NOR ANY INFORMATION CONTAINED IN THIS DRAWING MAY BE REPRODUCED OR DISCLOSED TO OTHERS WITHOUT THE EXPRESS WRITTEN CONSENT OF MILESTONE AV TECHNOLOGIES.

CAD GENERATED DRAWING, DO NOT MANUALLY UPDATE.			CHIEF 6436 CITY WEST PKWY EDEN PRAIRIE, MN, 55344 PHONE: 866-977-3901 FAX: 877-894-6918	
DRAWN BY	JAB	10/1/2014	DESCRIPTION FUSION 1000 mm ADAPTER	
ENG APPROVAL			MODEL NO. FHB-3038/5038/7038	
MFG APPROVAL			SIZE DWG. NO. B TECH-000655	
QA APPROVAL			REV. 01	
SHEET 1 OF 3		SCALE 1:4		

ACCESSORY SHOWN ON XTM1U TILT UPRIGHTS
NOT INCLUDED

D
C
B
A

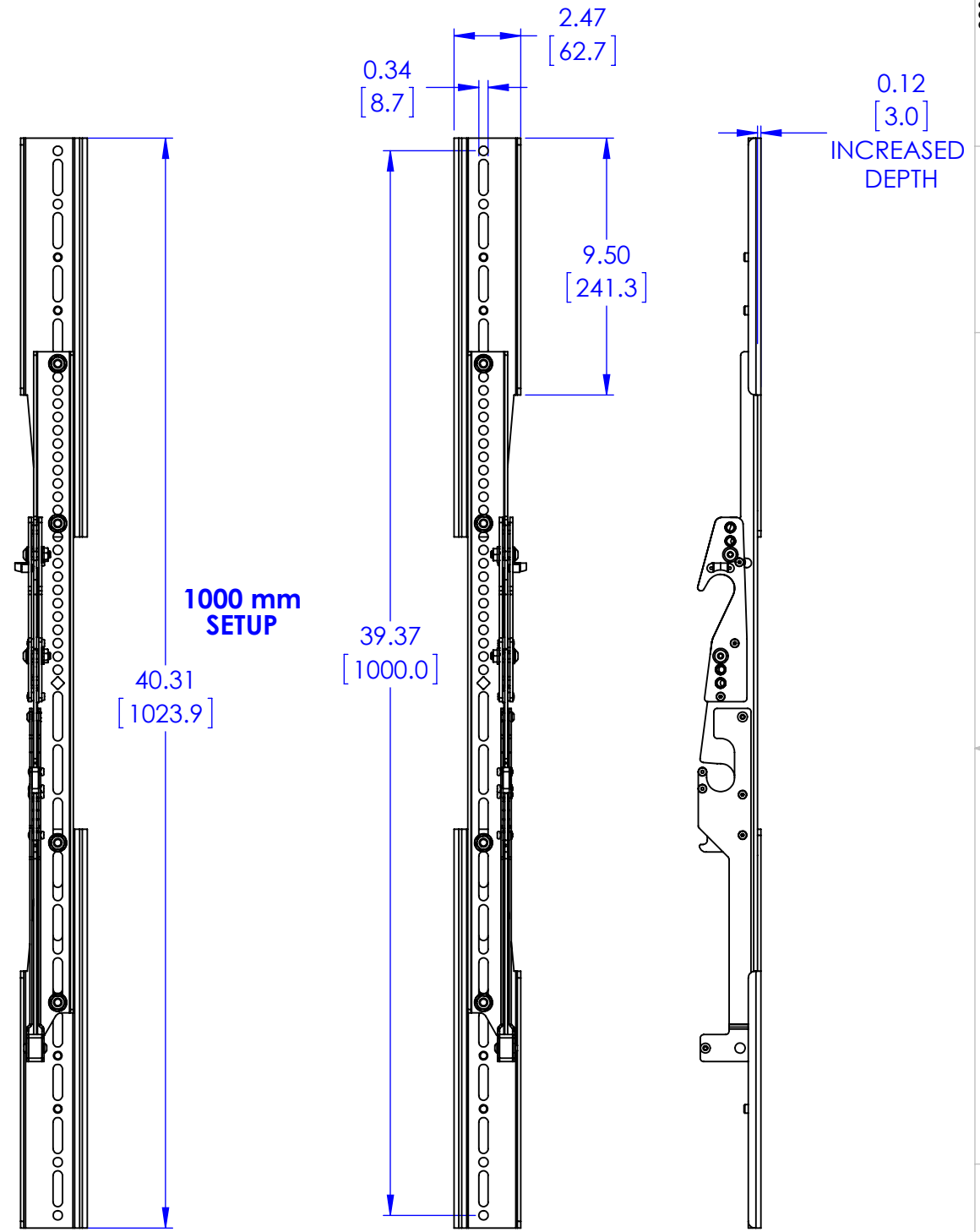
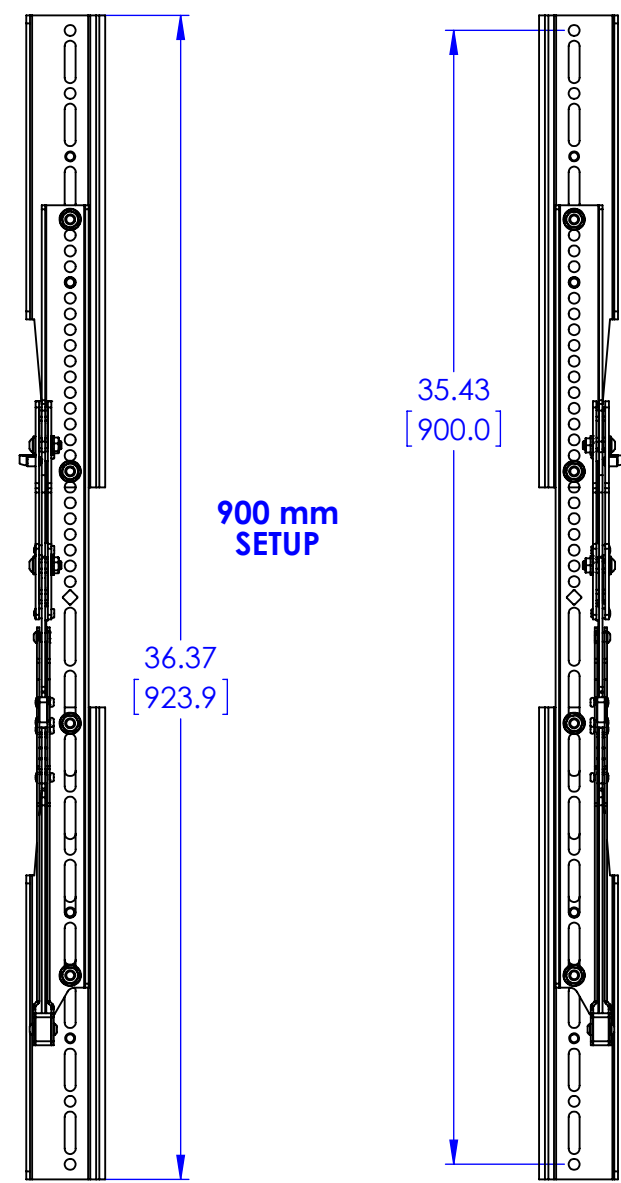
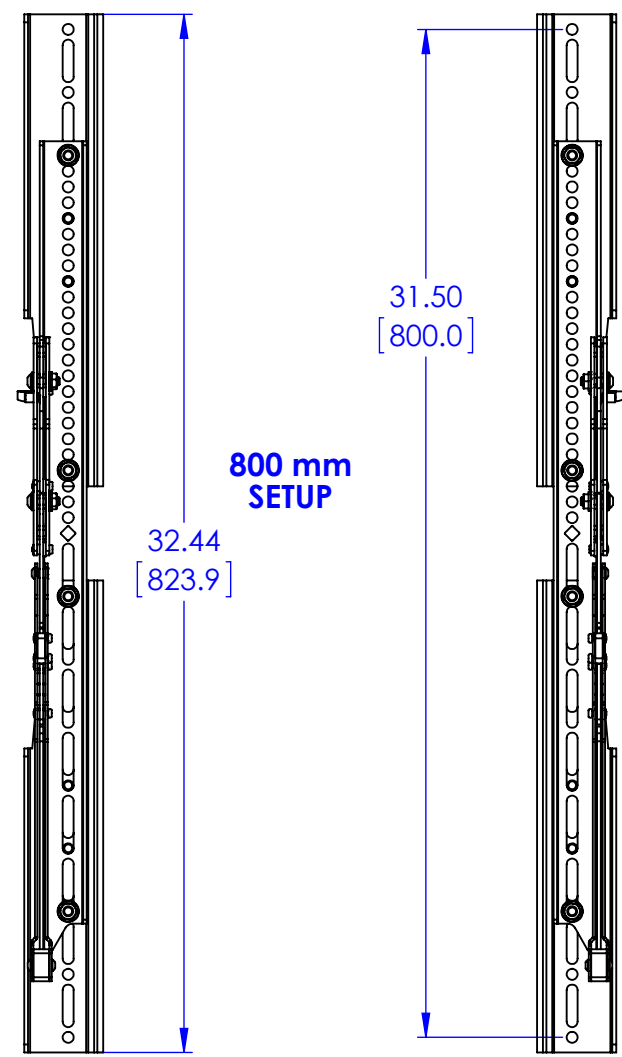


THE INFORMATION AND DESIGNS CONTAINED IN THIS DRAWING ARE CONFIDENTIAL AND THE PROPRIETARY PROPERTY OF MILESTONE AV TECHNOLOGIES NEITHER THIS DESIGN NOR ANY INFORMATION CONTAINED IN THIS DRAWING MAY BE REPRODUCED OR DISCLOSED TO OTHERS WITHOUT THE EXPRESS WRITTEN CONSENT OF MILESTONE AV TECHNOLOGIES.

CAD GENERATED DRAWING, DO NOT MANUALLY UPDATE.			6436 CITY WEST PKWY EDEN PRAIRIE MN, 55344 PHONE: 866-977-3901 FAX: 877-894-6918
DRAWN BY	JAB	10/1/2014	
ENG APPROVAL			DESCRIPTION
MFG APPROVAL			FUSION 1000 mm ADAPTER
QA APPROVAL			MODEL NO.
SHEET 2 OF 3			FHB-3038/5038/7038 SCALE 1:12 SIZE B DWG. NO. TECH-000655 REV. 01

A

ACCESSORY SHOWN ON XSM1U STATIC UPRIGHTS
NOT INCLUDED



THE INFORMATION AND DESIGNS CONTAINED IN THIS DRAWING ARE CONFIDENTIAL AND THE PROPRIETARY PROPERTY OF MILESTONE AV TECHNOLOGIES NEITHER THIS DESIGN NOR ANY INFORMATION CONTAINED IN THIS DRAWING MAY BE REPRODUCED OR DISCLOSED TO OTHERS WITHOUT THE EXPRESS WRITTEN CONSENT OF MILESTONE AV TECHNOLOGIES.

CAD GENERATED DRAWING, DO NOT MANUALLY UPDATE.				6436 CITY WEST PKWY EDEN PRAIRIE MN, 55344 PHONE: 866-977-3901 FAX: 877-894-6918	
DRAWN BY	JAB	10/1/2014	DESCRIPTION		
ENG APPROVAL			FUSION 1000 mm ADAPTER		
MFG APPROVAL			MODEL NO.		
QA APPROVAL			FHB-3038/5038/7038		
SHEET 3 OF 3		SCALE	SIZE	DWG. NO.	REV.
		1:12	B	TECH-000655	01