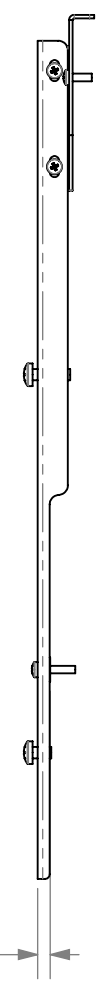
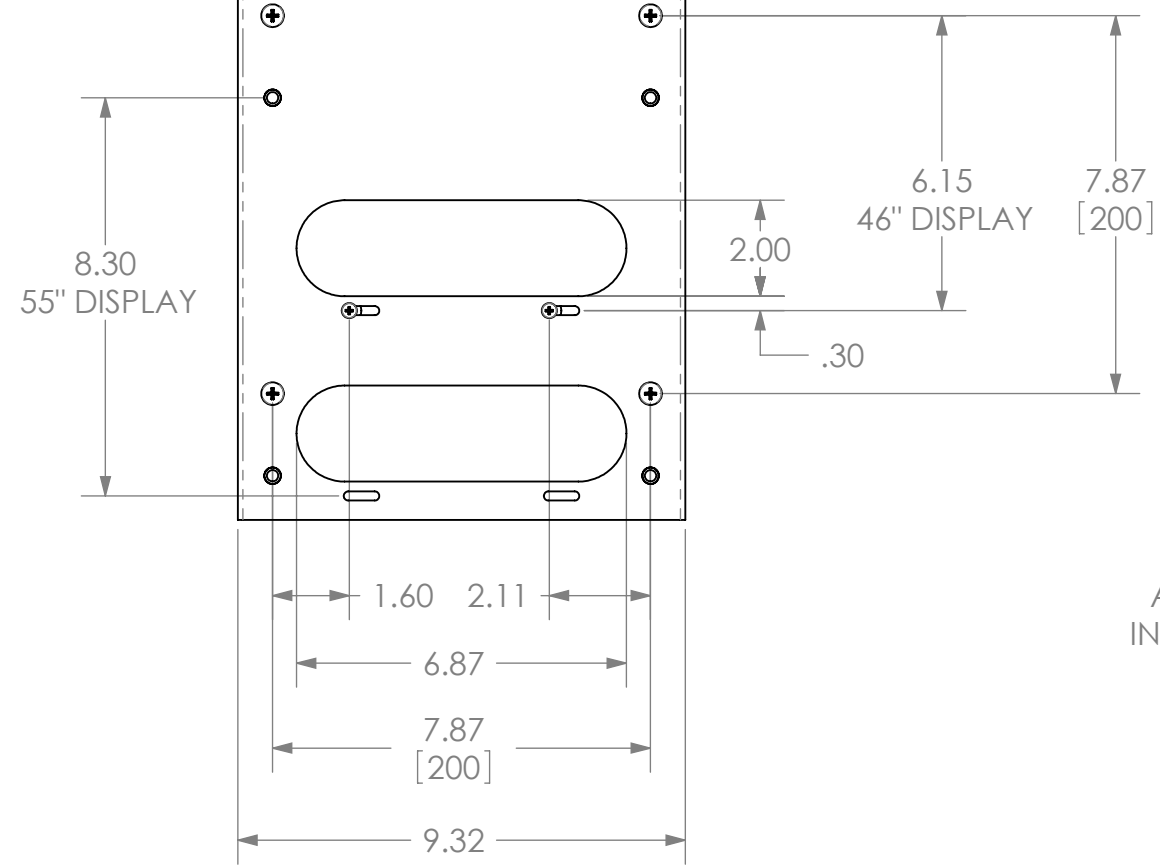
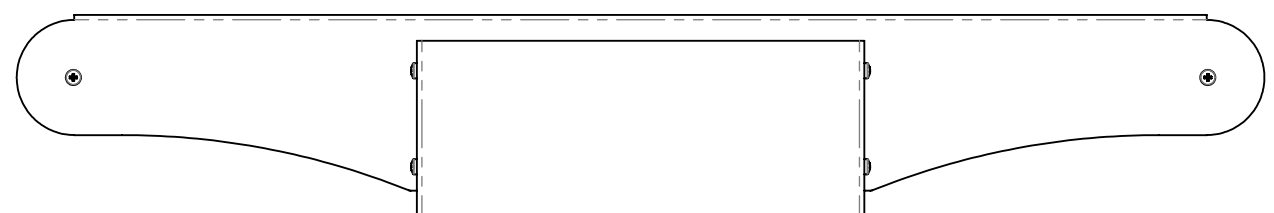
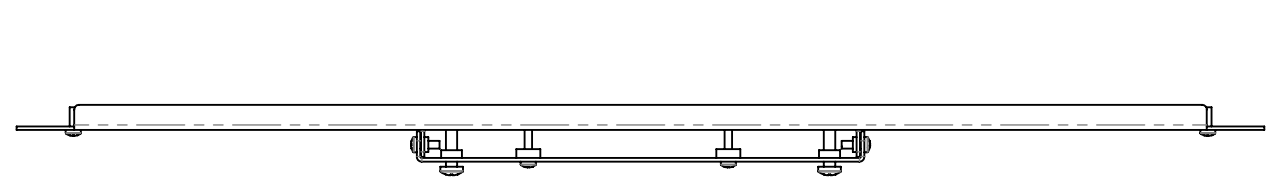


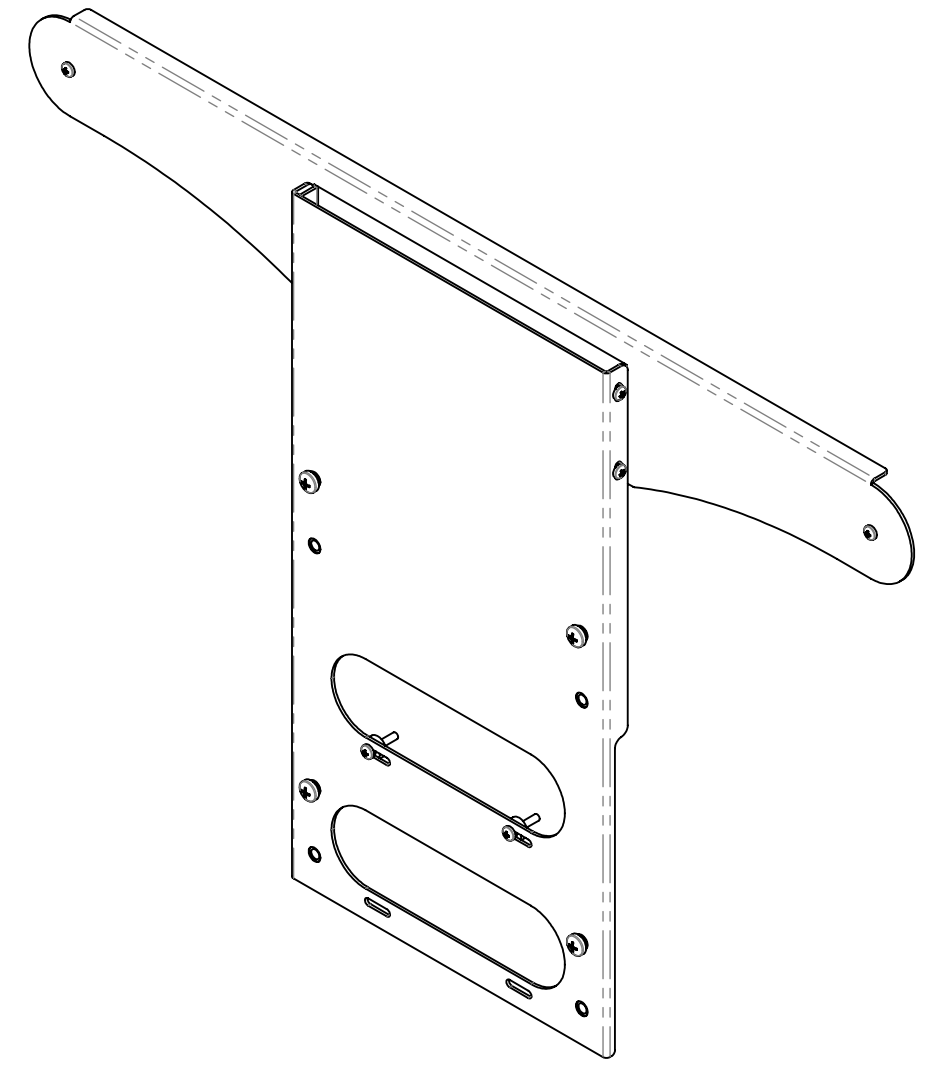
1 2 3 4 5 6 7 8

FHB3538

D  
C  
B  
A



.26  
ADDED DEPTH OF  
INTERFACE BRACKET



D  
C  
B  
A



**CHIEF MANUFACTURING INC.**  
PRODUCT ORDER NUMBER IS: FHB3538  
PHONE: 1-800-582-6480

SHEET SCALE = 1:4

**TO OTHERS WITHOUT THE EXPRESS WRITTEN CONSENT  
OF MILESTONE AV TECHNOLOGIES.**



8401 EAGLE CREEK PKY  
SUITE #700  
SAVAGE, MN 55378  
PHONE: 952-894-6280  
FAX: 877-894-6918

TITLE  
**CUSTOMER PRINT  
FHB3538**

SIZE DWG. NO.  
**B FHB3538**

1 2 3 4 5 6 7 8