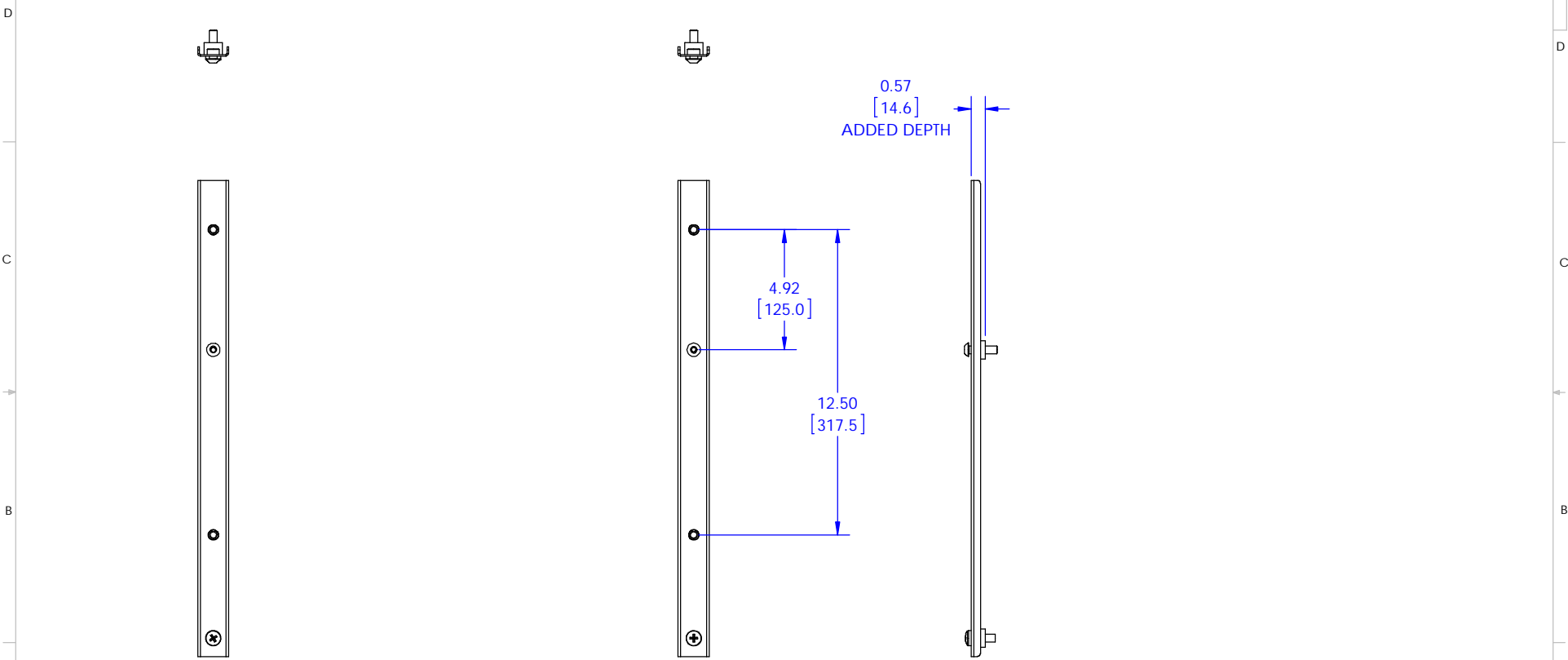


1 2 3 4 5 6 7 8

STATUS: MW 01/17/2012 - REV 00 - PENDING APPROVAL ON ECO  
500005541

TECH-000009



A

THE INFORMATION AND DESIGNS CONTAINED IN THIS DRAWING ARE CONFIDENTIAL AND THE PROPRIETARY PROPERTY OF MILESTONE AV TECHNOLOGIES NEITHER THIS DESIGN NOR ANY INFORMATION CONTAINED IN THIS DRAWING MAY BE REPRODUCED OR DISCLOSED TO OTHERS WITHOUT THE EXPRESS WRITTEN CONSENT OF MILESTONE AV TECHNOLOGIES.

CAD GENERATED DRAWING. DO NOT MANUALLY UPDATE.			<b>CHIEF</b> 6436 CITY WEST PKWY EDEN PRAIRE MN, 55344 PHONE: 866-977-3901 FAX: 977-894-6918
DRAWN BY	MW	1/17/2012	
ENG APPROVAL			DESCRIPTION FHB7017
MFG APPROVAL			MODEL NO. FHB7017
QA APPROVAL			SCALE 1:4
SHEET 1 OF 1		SIZE B	DWG. NO. TECH-000009

1 2 3 4 5 6 7 8