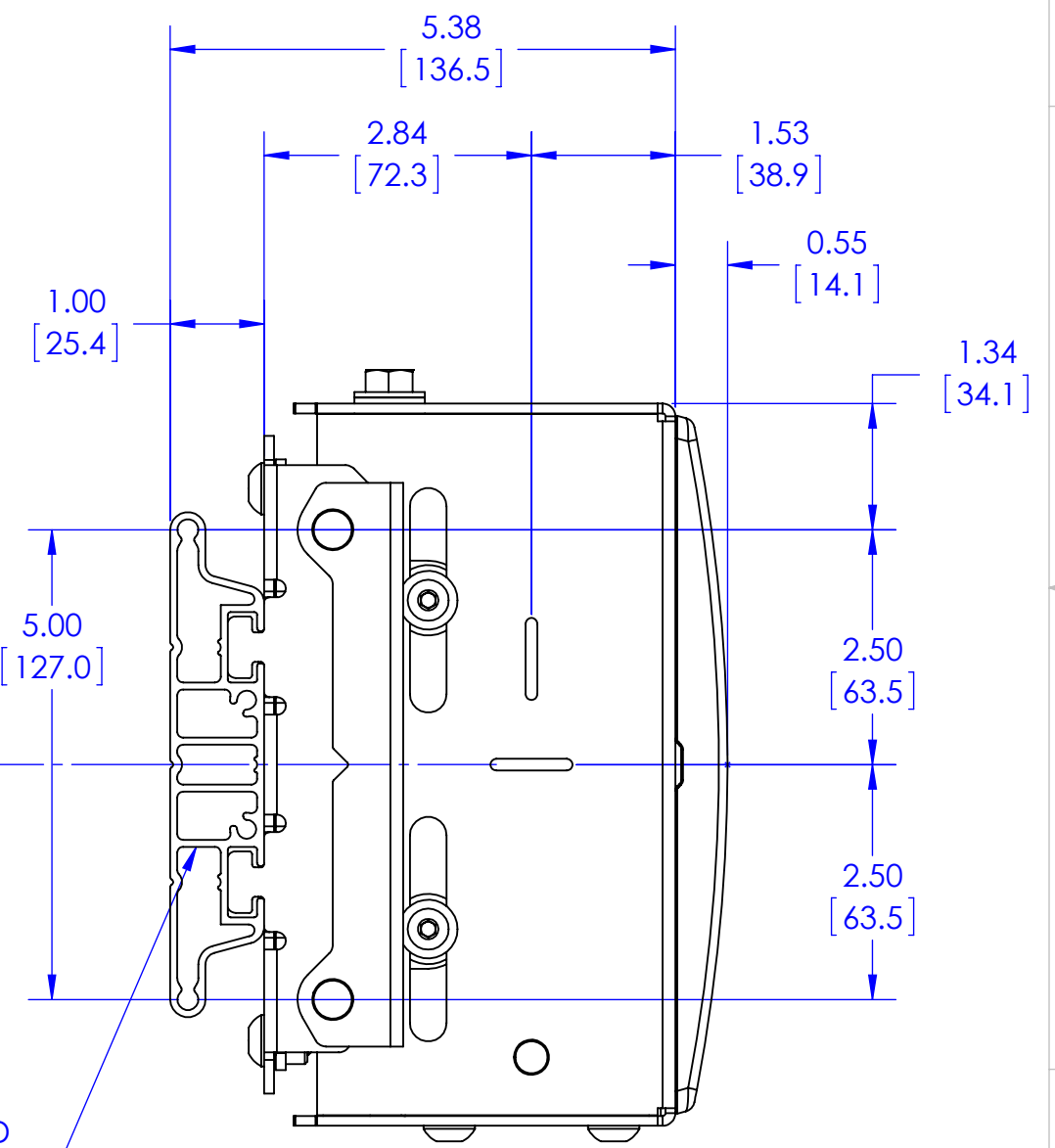
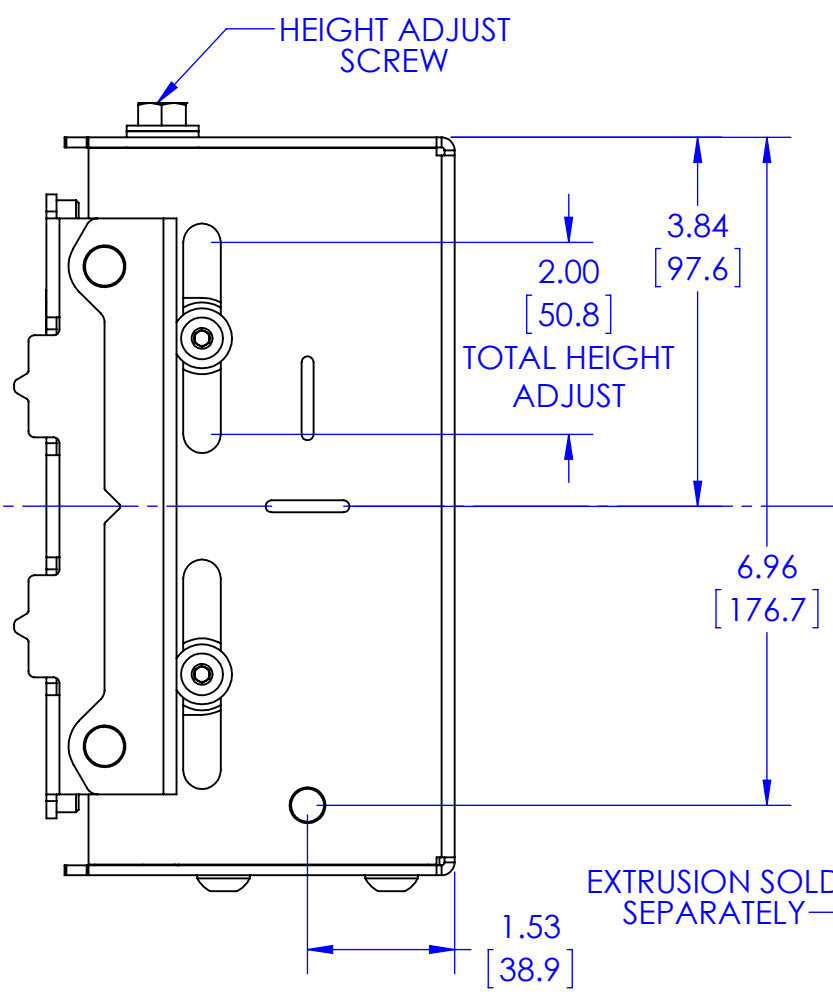
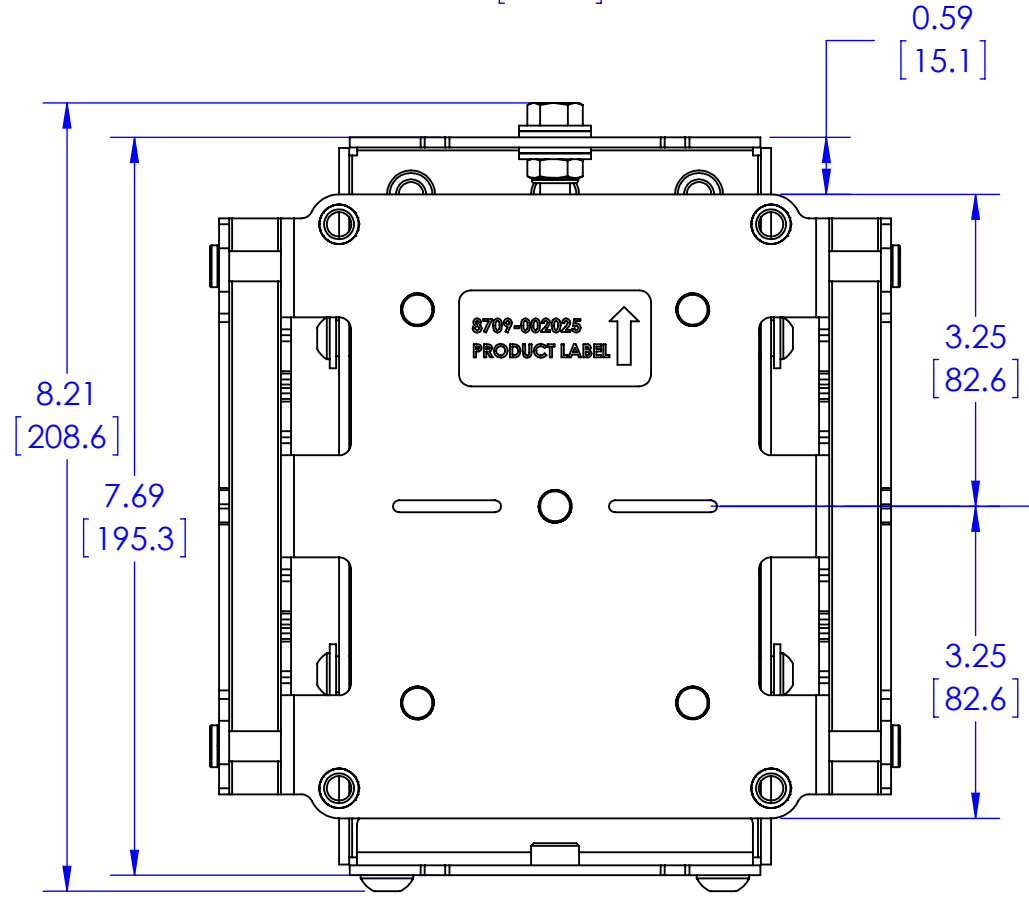
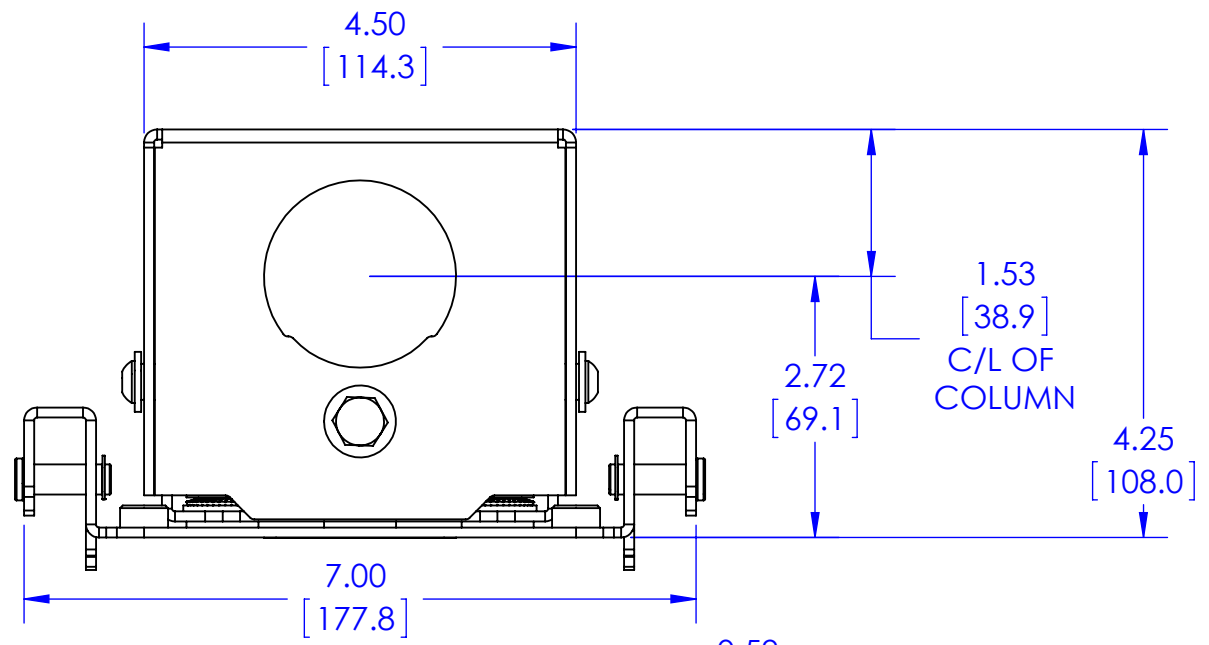


D
C
B
A

D
C
B
A



THE INFORMATION AND DESIGNS CONTAINED IN THIS DRAWING ARE CONFIDENTIAL AND THE PROPRIETARY PROPERTY OF MILESTONE AV TECHNOLOGIES NEITHER THIS DESIGN NOR ANY INFORMATION CONTAINED IN THIS DRAWING MAY BE REPRODUCED OR DISCLOSED TO OTHERS WITHOUT THE EXPRESS WRITTEN CONSENT OF MILESTONE AV TECHNOLOGIES.

CAD GENERATED DRAWING, DO NOT MANUALLY UPDATE.			CHIEF 6436 CITY WEST PKWY EDEN PRAIRIE MN, 55344 PHONE: 866-977-3901 FAX: 877-894-6918
DRAWN BY	JAB	4/14/2016	
ENG APPROVAL			DESCRIPTION MENU-BOARD, CEILING, HEIGHT ADJUSTABLE MOUNTING HEAD
MFG APPROVAL			MODEL NO. FMSCM
QA APPROVAL			SIZE DWG. NO. REV. B TECH-000783 00
SHEET 1 OF 1			SCALE 1:2