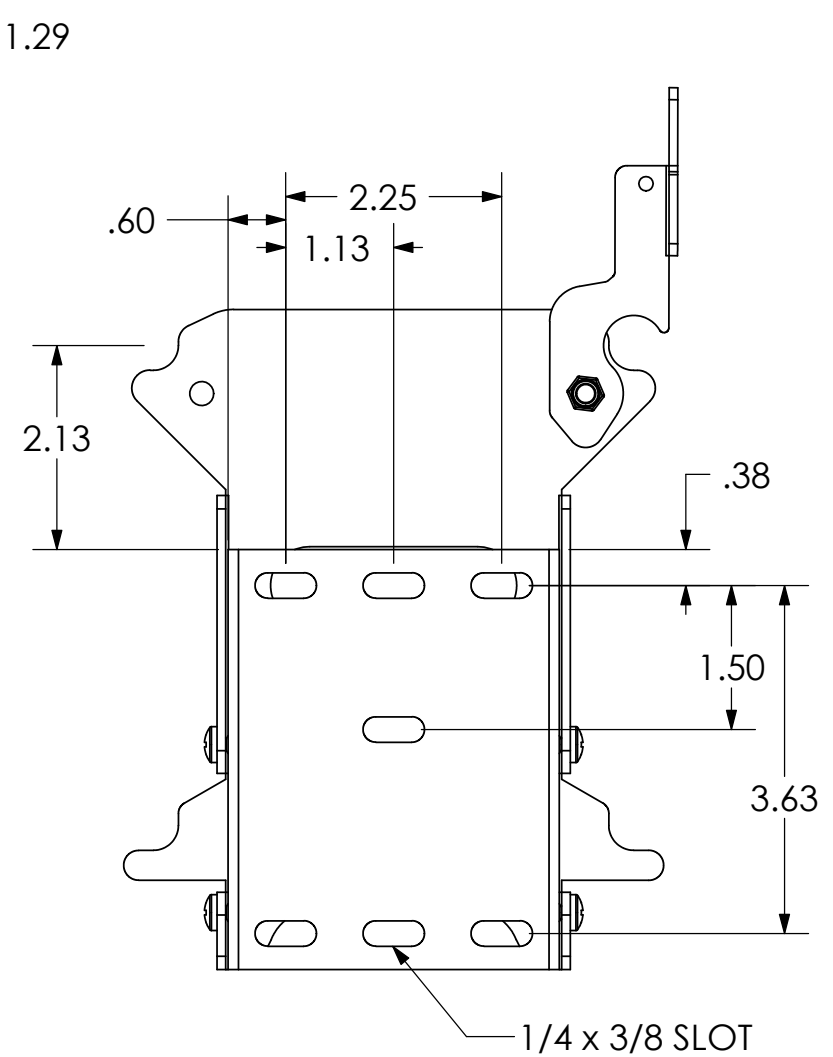
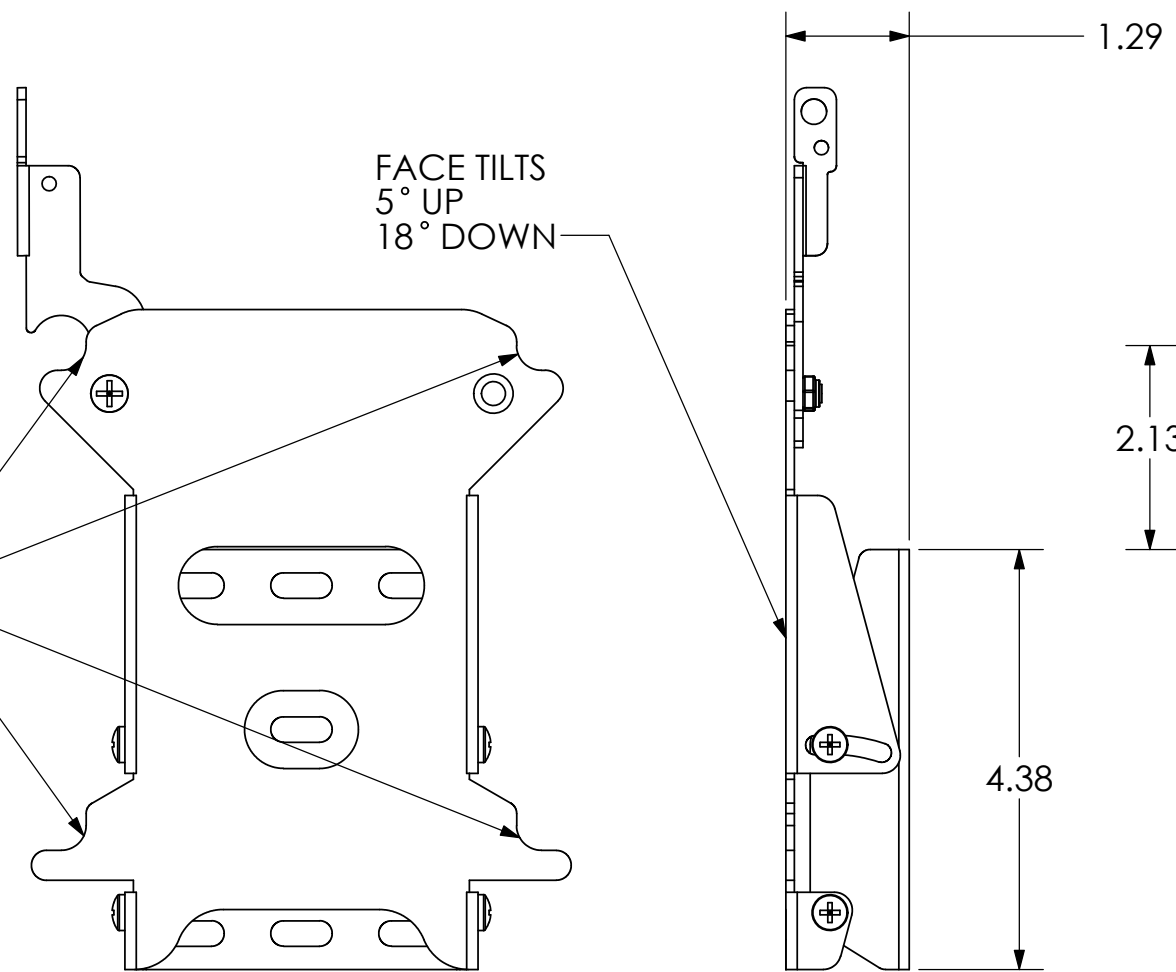


MOUNTING BUTTONS ON  
INTERFACE BRACKET FIT INTO  
SLOTS ON MOUNT



**CHIEF MANUFACTURING INC.**  
MOUNT ORDER NUMBER IS FPM-XXXX  
PHONE: 1-800-582-6480

THE INFORMATION AND DESIGNS CONTAINED  
IN THIS DRAWING ARE CONFIDENTIAL AND THE  
PROPRIETARY PROPERTY OF CHIEF MFG., INC.  
NEITHER THIS DESIGN NOR ANY INFORMATION  
CONTAINED IN THIS DRAWING MAY BE  
REPRODUCED OR DISCLOSED TO OTHERS  
WITHOUT THE EXPRESS WRITTEN CONSENT OF  
CHIEF MFG., INC.

|   |  |
|---|--|
| <b>CHIEF</b> MANUFACTURING, INC.<br><small>8401 EAGLE CREEK PKWY STE. 700, SAVAGE, MN 55378<br/>1.800.582.6480 * FAX 1.877.894.6918</small> |  |
| <small>TITLE</small><br><b>CUSTOMER PRINT</b><br><b>FPM-XXXX</b><br>SHIPS WITH FSB-XXXX INCLUDED  |  |
| <small>SIZE</small><br><b>B</b>   | <small>DWG. NO.</small><br><b>FPM-XXXX</b> |

FPM-XXXX

D

C

B

A