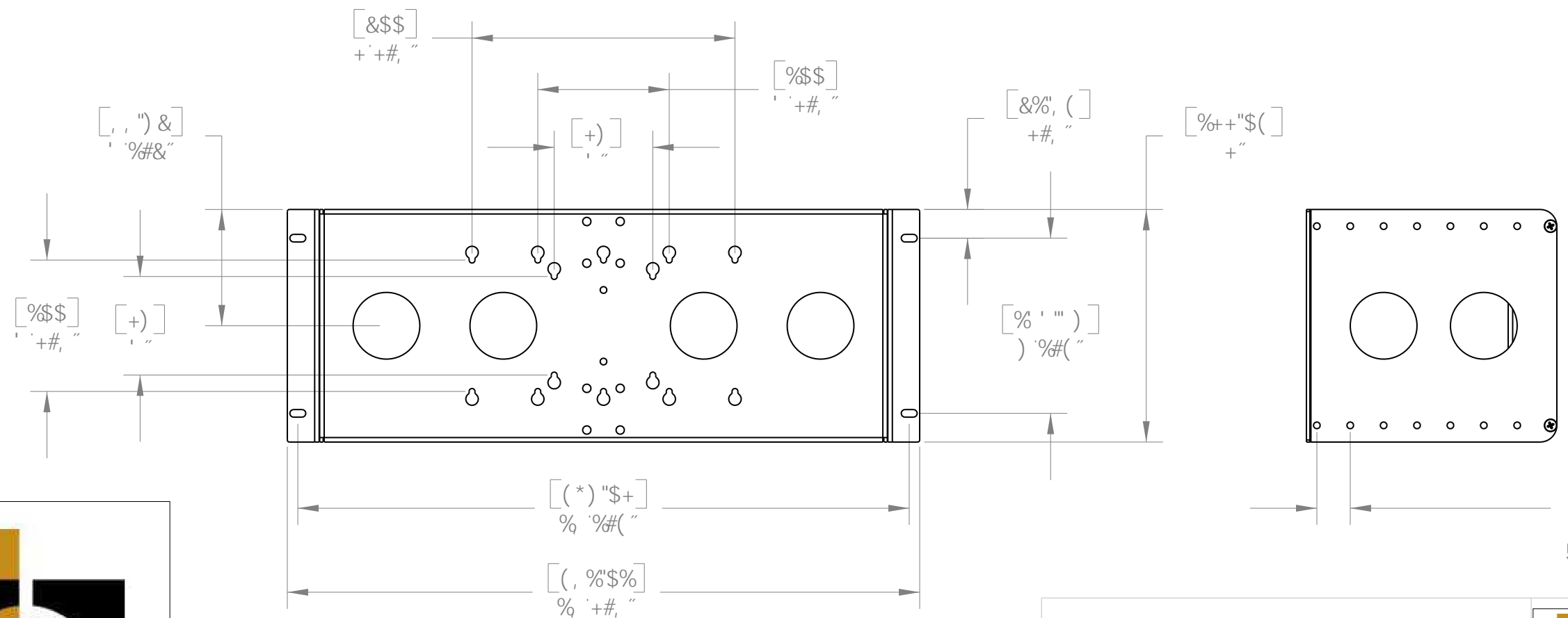
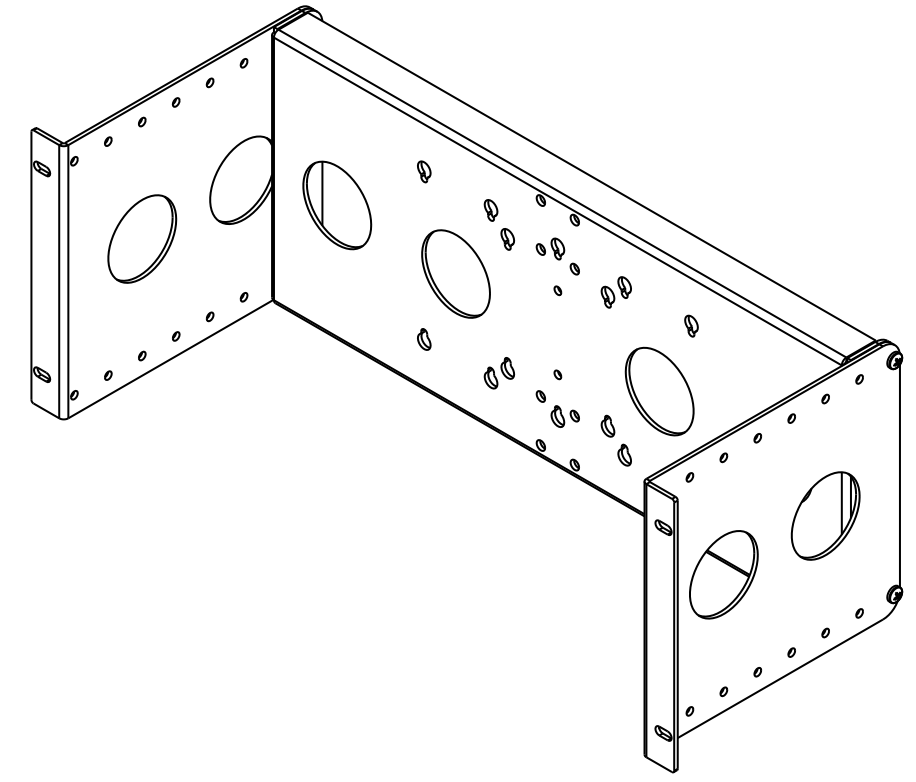


A 5L' F97 9GG98

A 5L' 9LH9BG€ B

A 5L' 8€D@5MK 8Hk'



8 9DHk' 58>I GHA 9BH



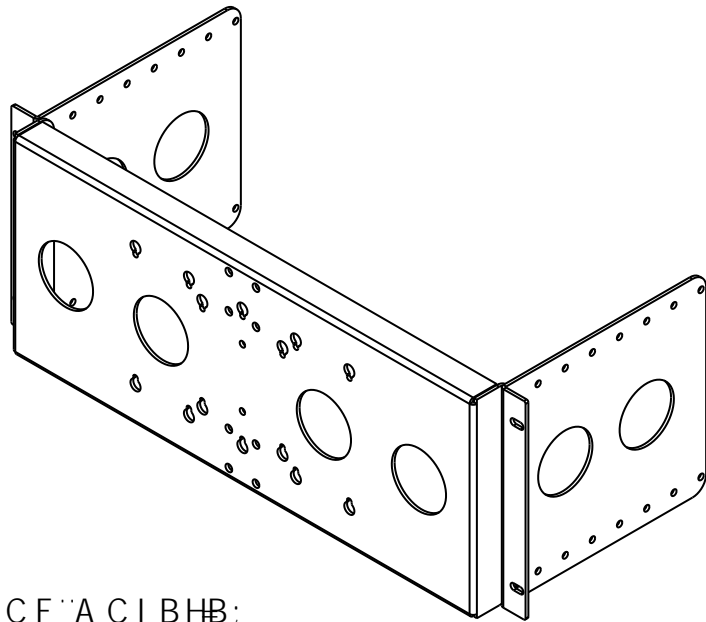
7<9: A 5BI : 57H F-B; 'B7"  
A CI BHCF89F BI A 69F :G: G5!%\$%)  
D<CB9.%, \$\$!), &\* (, \$

Hk9-B: CFA 5HCB'5B8'89G? BG7CBH5-B98  
-B'k-G'8F5K -B; '5F97CB: -89BH5@5B8'Hk9  
DFC DF-9F5FMDFC D9FMC: 7<9: 'A: ; 'Z-B7"  
B9Hk9F'H-G89G? B'BCF'5BM-B: CFA 5HCB  
7CBH5-B98 -B'k-G'8F5K -B; 'A 5M69  
F9DFC 8I 798'CF'8-€7 @G98'HC'CHk9FG  
K HkCI Hk99LDF9GGK F#H9B 7CBG9BHC:  
7<9: 'A: ; 'Z-B7"

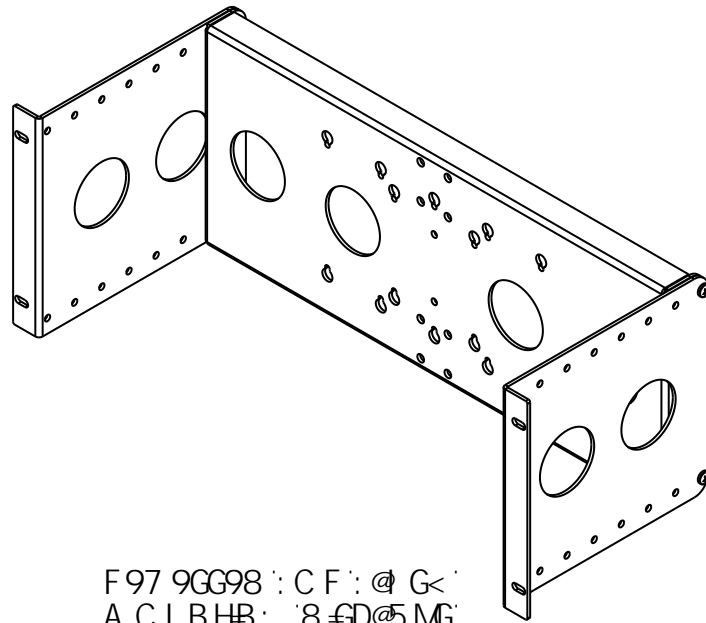
CHIEF **7<9:** A 5BI : 57H F-B; Z-B7"  
(\$%95: @97 F997 D7K MGH? +S2G5J 5: 92A B' )' +,  
%,\$\$), 8\*(, \$1: 5L %, ++, -(\*-%

H#99  
7I GCA 9F DF-BH  
5GG9A 64M% "9E I -DA 9BHF57?  
A CI BH  
: G5!%\$%)

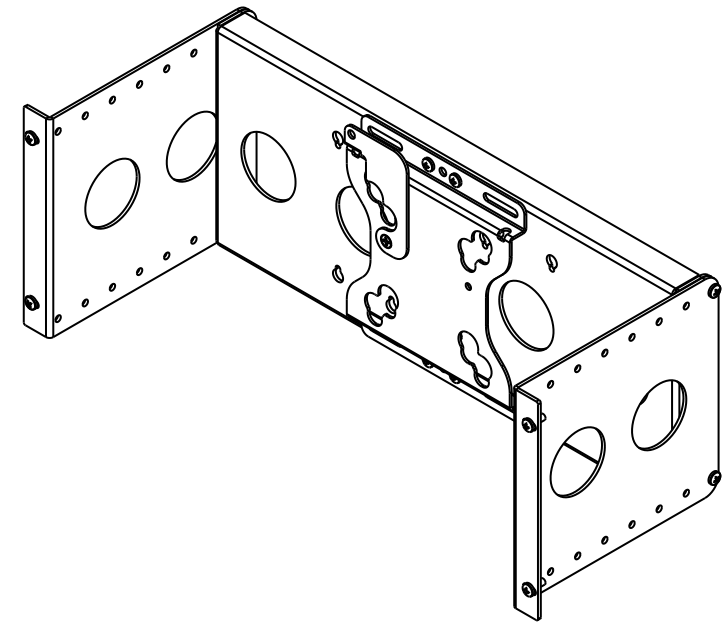
G#9 "BK: "BC"  
6 : G5!%\$%)



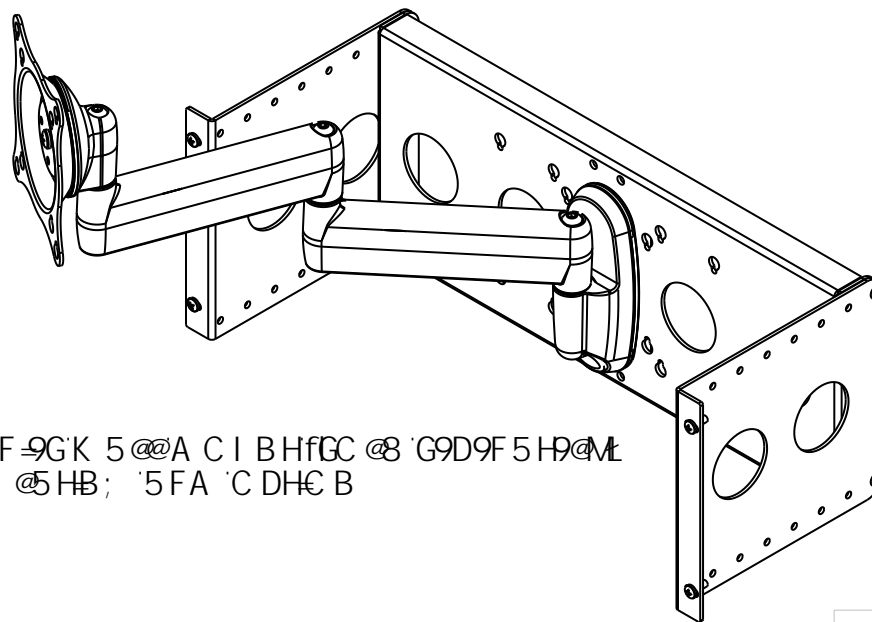
9LH9B898 : CF A C I BHB;  
8GD5MGK 89F H5B % " K 89



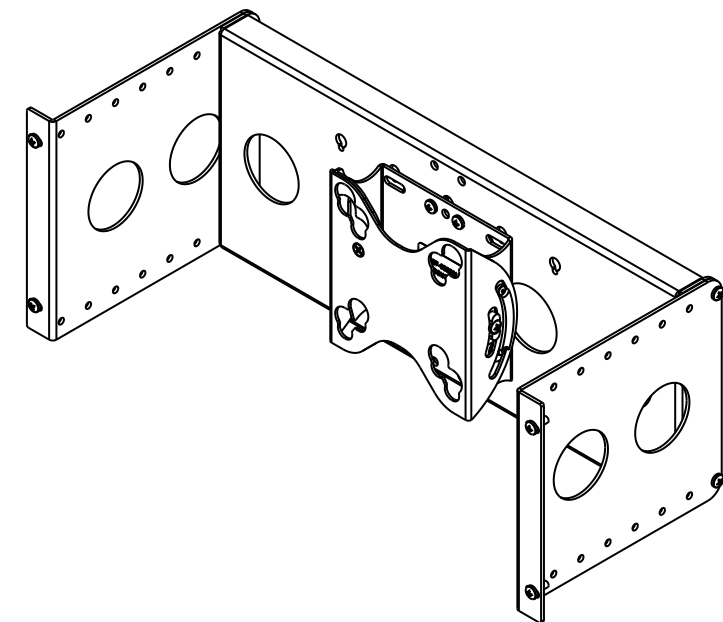
F979GG98 : CF : @ G<  
A C I BHB; 8GD5MG  
@GGH5B % " K 89



5H57 < : GF A C I BHfGC @8 G9D9F5H9@ML  
: CF 5 G5H7 E I 7 ? F9@95G9C DHCB



5H57 < 5 : !G9F 9GK 5 @A C I BHfGC @8 G9D9F5H9@ML  
: CF 5B 5FH7 I @HB; 5FA C DHCB




5H57 < 5 : HF A C I BHfGC @8 G9D9F5H9@ML  
: CF 5 H@HE I 7 ? F9@95G9C DHCB



7 < 9 : A 5BI : 57H F-B; B7"  
A C I BHCF89F BI A 69F :G: G5!%\$%)  
D<CB9. %, \$\$!), & \* (, \$

H9-B: CFA 5HCB 5B8 89G? BG7CBH5-B98  
B H-G8F5K B; 5F97CB: 89BH5@5B8 H9  
DFC DF 95FMDFC D9FMC: 7 < 9 : A ; Z-B7"  
B9H9F H-G89G? B BCF 5BM-B: CFA 5HCB  
7CBH5-B98 B H-G8F5K B; A 5M69  
F9DFC 8I 798 CF 8-67 @G98 HC CH 9FG  
K H C I H K 99LDF9GGK F H9B 7 CBG9BHC:  
7 < 9 : A ; Z-B7"

CHIEF  7 < 9 : A 5BI : 57H F-B; Z-B7"  
(\$%95: @97 F997 D7K MGH? +S\$2G5J 5: 92A B )' +,  
%,\$\$), 8\*(, \$ 1 : 5L % , ++, - (\*- %

H9B9  
7I GCA 9F DF-BH  
5GG9A 6@M% " " 9E I DA 9BHF57?  
A C I BH  
: G5!%\$%)

G97 BK : "BC"  
6 : G5!%\$%)