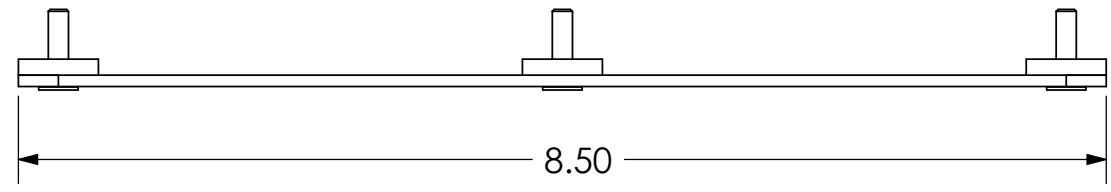
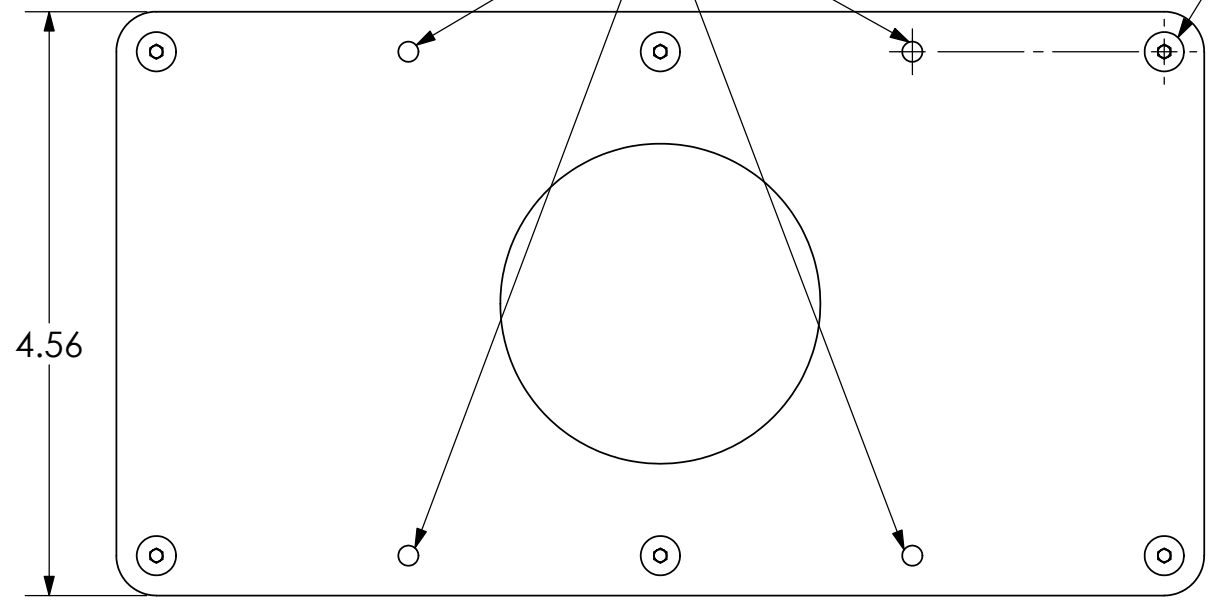


1 2 3 4 5 6 7 8

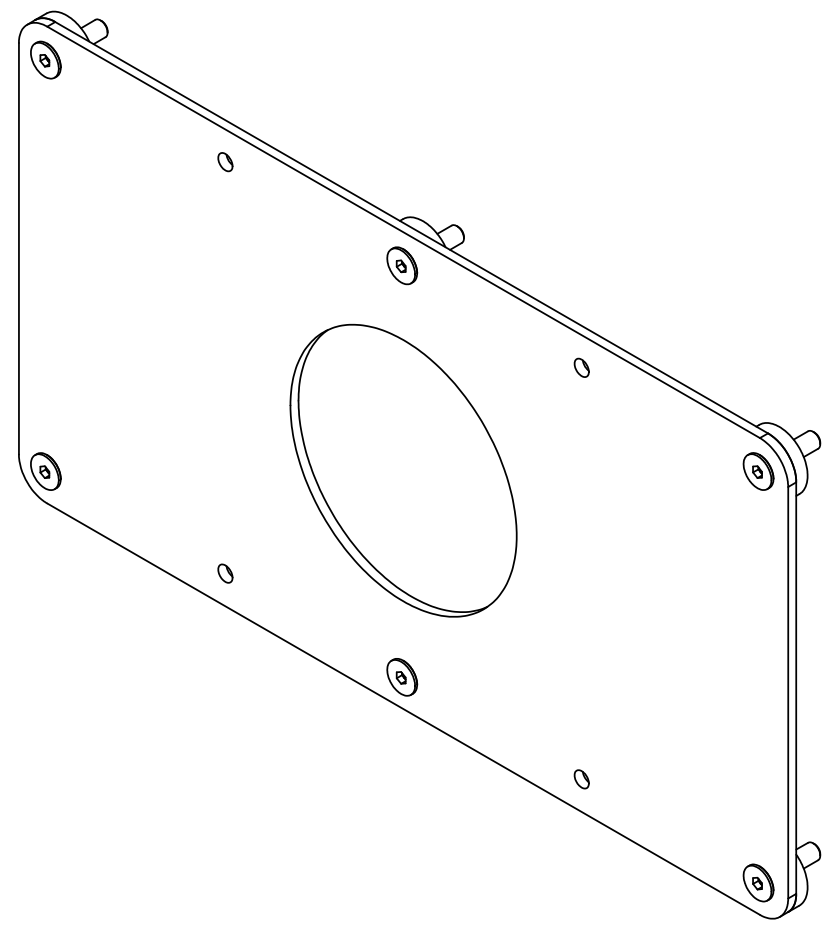
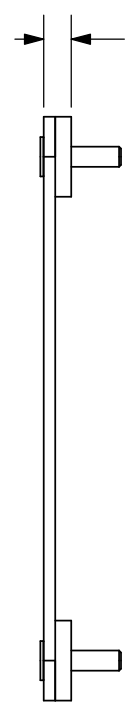
FSA-4101



ATTACH TO CENTRIS CUP USING THESE HOLES



MOUNTING HOLE IN BACK OF DISPLAY



**CHIEF MANUFACTURING INC.**  
**MOUNT ORDER NUMBER IS FSA-4101**  
**PHONE: 1-800-582-6480**

SHEET SCALE = 1:1.5

**THE INFORMATION AND DESIGNS CONTAINED IN THIS DRAWING ARE CONFIDENTIAL AND THE PROPRIETARY PROPERTY OF CHIEF MFG., INC. NEITHER THIS DESIGN NOR ANY INFORMATION CONTAINED IN THIS DRAWING MAY BE REPRODUCED OR DISCLOSED TO OTHERS WITHOUT THE EXPRESS WRITTEN CONSENT OF CHIEF MFG., INC.**

	<b>CHIEF</b> MANUFACTURING, INC. <small>8401 EAGLE CREEK PKWY STE. 700, SAVAGE, MN 55378        1.800.582.6480 * FAX 1.877.894.6918</small>
	<small>TITLE</small> <b>CUSTOMER PRINT        FSA-4101</b>
<small>SIZE</small> <b>B</b>	<small>DWG. NO.</small> <b>FSA-4101</b>

1 2 3 4 5 6 7 8

D  
C  
B  
A

D  
C  
B  
A