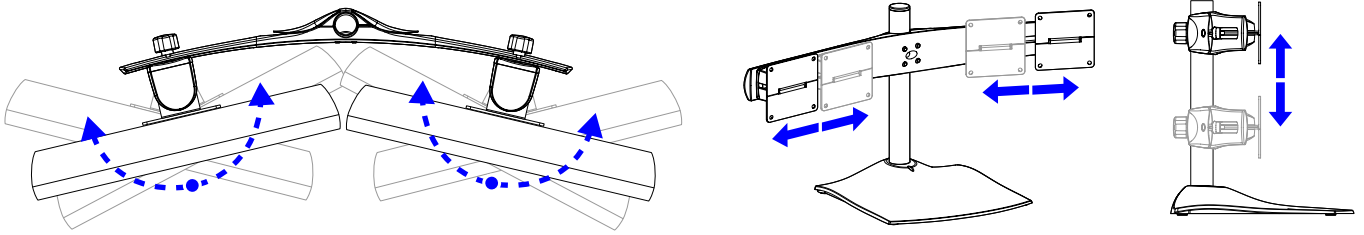


SPECIFICATIONS

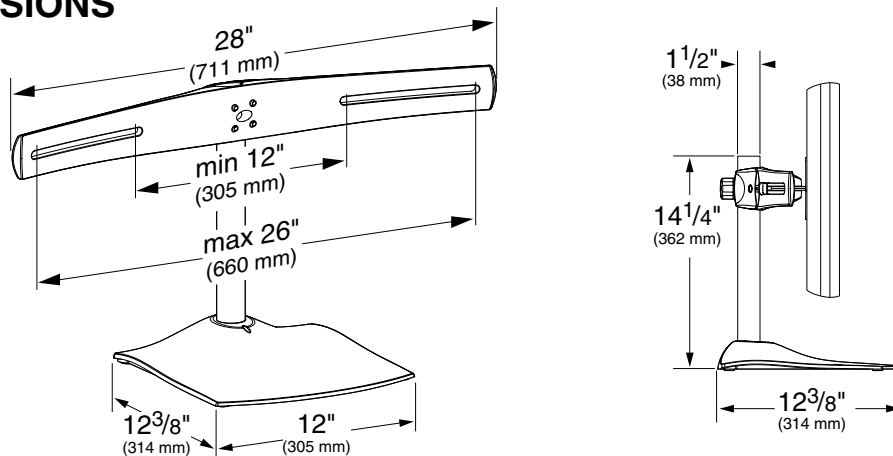
Part Number	Description	Weight Capacity	Net Weight	Shipping Weight
FSB-105	Multiple Horizontal Table Stand	23 lbs (10kg) per pivot	21 lbs (9.5kg)	23 lbs (10kg)

* Generally (although there are many variables), the weight capacity is a function of the center of gravity (CG) of the monitor relative to the Pivot Mounting Pad. 23 lbs (10.45 kgs) is based on the CG not exceeding 1" (24.5mm) from the Pivot Mounting pad. For every 1" additional distance between the CG of the monitor and the Pivot Mounting Pad reduce the capacity by 3.5 lbs (1.59 kgs).

RANGE OF MOTION



DIMENSIONS



REPLACEMENT PARTS

Contact your Chief Manufacturing representative for details



Chief Manufacturing Inc.
12800 Hwy 13 S., Ste. 500
Savage, MN 55378 USA

Phone: 1-800-582-6480
Fax: 1-877-894-6918
www.chiefmfg.com