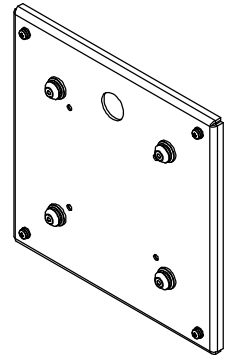
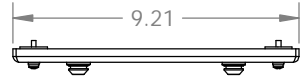
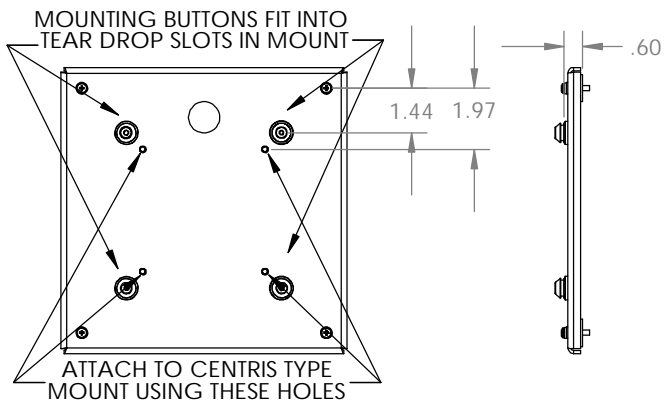


1 2 3 4 5 6 7 8

D



C



B

A

FSB4394-T

D

C

B

A



CHIEF MANUFACTURING INC.
 MOUNT ORDER NUMBER IS FSB4394-T
 PHONE: 1-800-582-6480

SHEET SCALE = 1:4

THE INFORMATION AND DESIGNS CONTAINED IN THIS DRAWING ARE CONFIDENTIAL AND THE PROPRIETARY PROPERTY OF CHIEF MFG., INC. NEITHER THIS DESIGN NOR ANY INFORMATION CONTAINED IN THIS DRAWING MAY BE REPRODUCED OR DISCLOSED TO OTHERS WITHOUT THE EXPRESS WRITTEN CONSENT OF CHIEF MFG., INC.



8401 EAGLE CREEK PKY
 SUITE #700
 SAVAGE, MN 55378
 PHONE: 952-894-6280
 FAX: 877-694-6918

TITLE
 CUSTOMER PRINT
 FSB4394-T

SIZE DWG. NO.
 B FSB4394-T

1 2 3 4 5 6 7 8