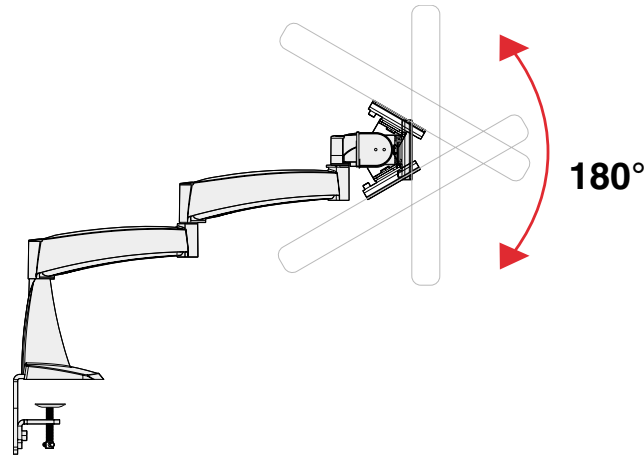


SPECIFICATIONS

Part Number	Description	Weight Capacity	Net Weight	Shipping Weight
FSC-210	Dual Pivot Desk Mount	23 lbs (10kgs)	15 lbs (6.8kgs)	16.5 lbs (7.5kgs)

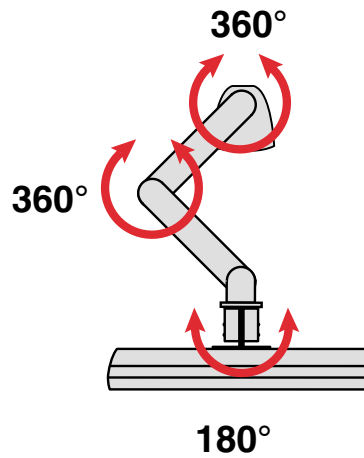
RANGE OF MOTION

Monitor Pivot - Range of Motion



Side View

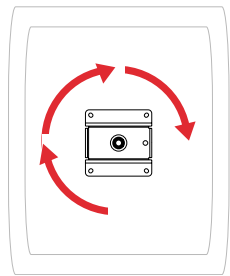
Side-to-Side Rotation



Top View

Portrait/Landscape - Range of Motion

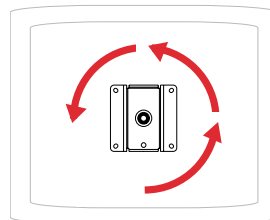
Portrait



Front View

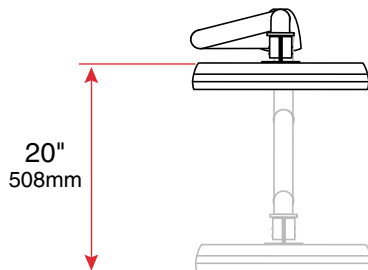
+110° / -110°
 (or 360° with Anti-Rotation
 Pin removed - refer to note
 on page 9)

Landscape



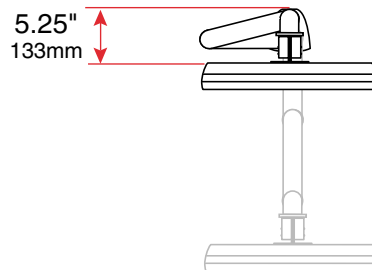
Front View

Telescope Motion



Top View

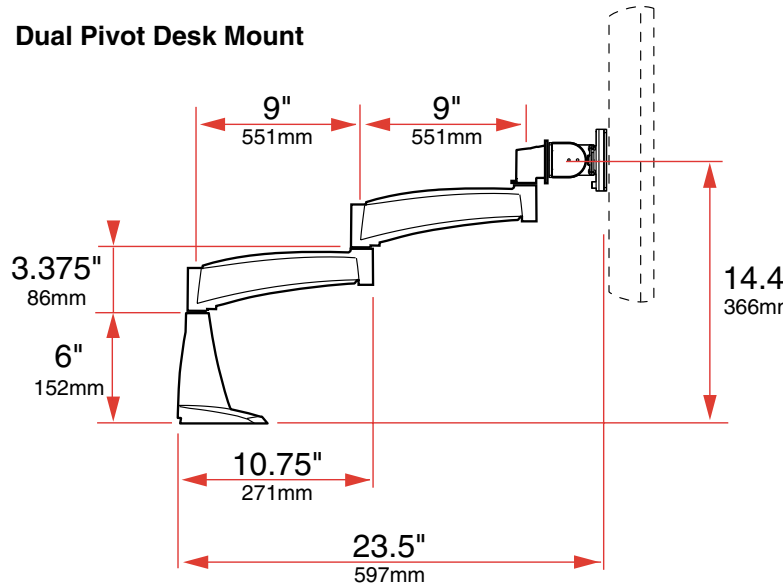
Minimum Depth - Retracted



Top View

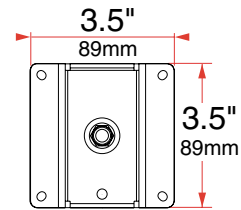
DIMENSIONS

Dual Pivot Desk Mount



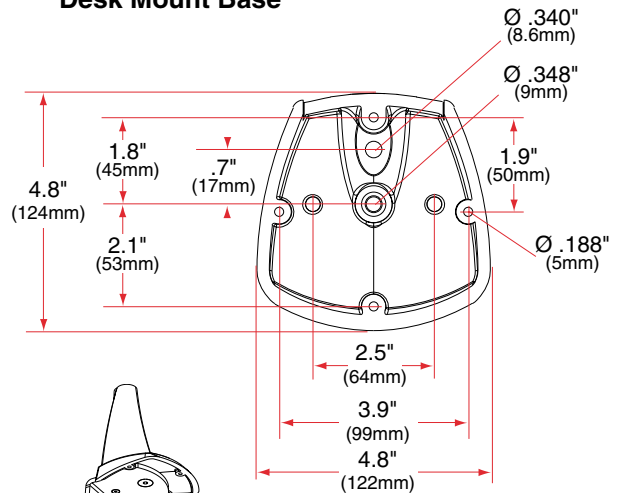
Side View

Monitor Pad



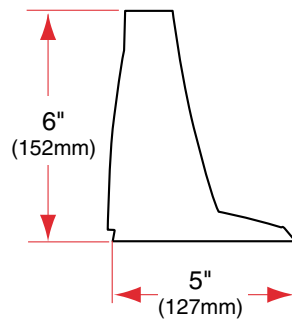
Front View

Desk Mount Base



Bottom View of Desk Mount Base with Lower Clamp Assembly removed.

Desk Mount Base



Side View

REPLACEMENT PARTS

Contact your Chief Representative for Details.



Chief Manufacturing Inc.
12800 Hwy 13 S., Ste. 500
Savage, MN 55378 USA

Phone: 1-800-582-6480
Fax: 1-877-894-6918
www.chiefmfg.com