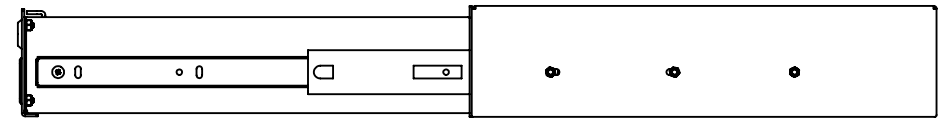
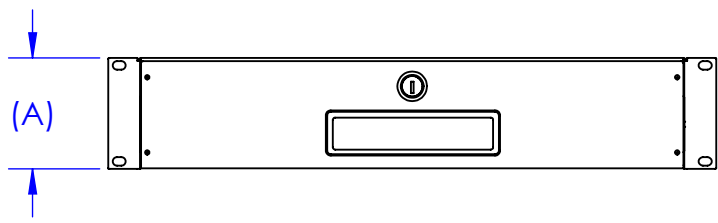
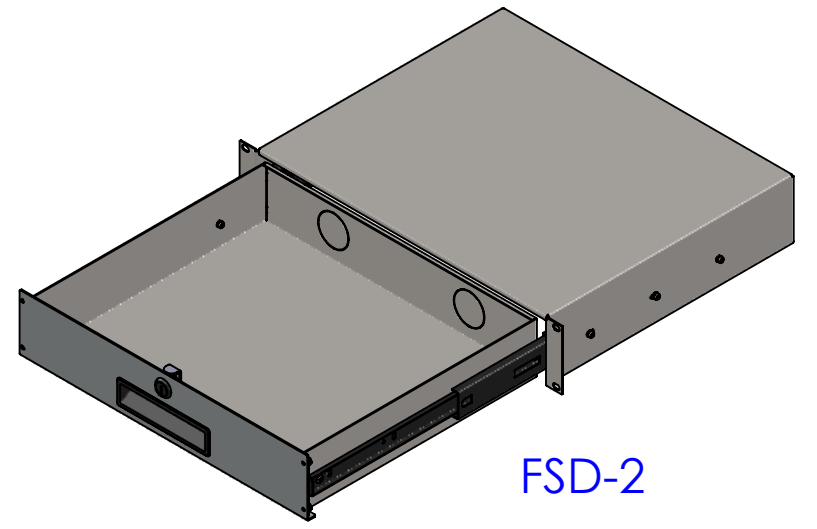
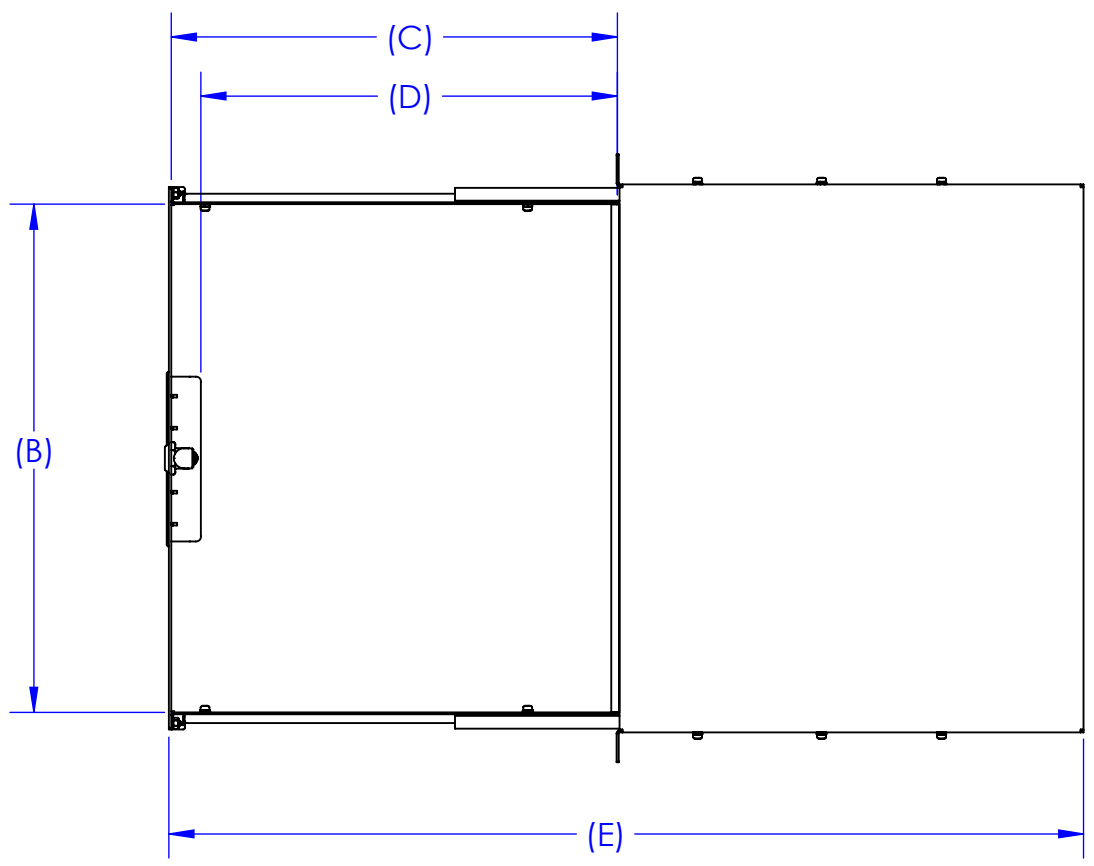


1	2	3	4	5	6
MODEL	HEIGHT (A)	USABLE WIDTH (B)	DEPTH (C)	USABLE DEPTH (D)	EXTENDED DEPTH (E)
FSD-2	3.50 [89]	15.88 [403]	13.94 [354]	13.00 [330]	28.59 [726]
FSD-3	5.25 [133]				
FSD-4	7.00 [178]				

STATUS: PLL 01/25/2013 - RELEASED ON ECO: 500006490

TECH-000298



THE INFORMATION AND DESIGNS CONTAINED IN THIS DRAWING ARE CONFIDENTIAL AND THE PROPRIETARY PROPERTY OF MILESTONE AV TECHNOLOGIES NEITHER THIS DESIGN NOR ANY INFORMATION CONTAINED IN THIS DRAWING MAY BE REPRODUCED OR DISCLOSED TO OTHERS WITHOUT THE EXPRESS WRITTEN CONSENT OF MILESTONE AV TECHNOLOGIES.

CAD GENERATED DRAWING, DO NOT MANUALLY UPDATE.			CHIEF 6436 CITY WEST PKWY EDEN PRAIRIE MN, 55344 PHONE: 866-977-3901 FAX: 877-894-6918
DRAWN BY	PLL	12/28/2012	
ENG APPROVAL			DESCRIPTION FSD DRAWER SERIES
MFG APPROVAL			MODEL NO. FSD
QA APPROVAL			SIZE DWG. NO. REV. B TECH-000298 00

SHEET 1 OF 1

SCALE 1:8

SIZE DWG. NO. B TECH-000298

REV. 00