

1 2 3 4 5 6 7 8

FSM-4210

D

D

C

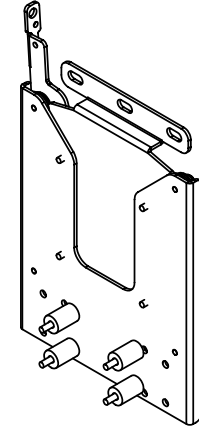
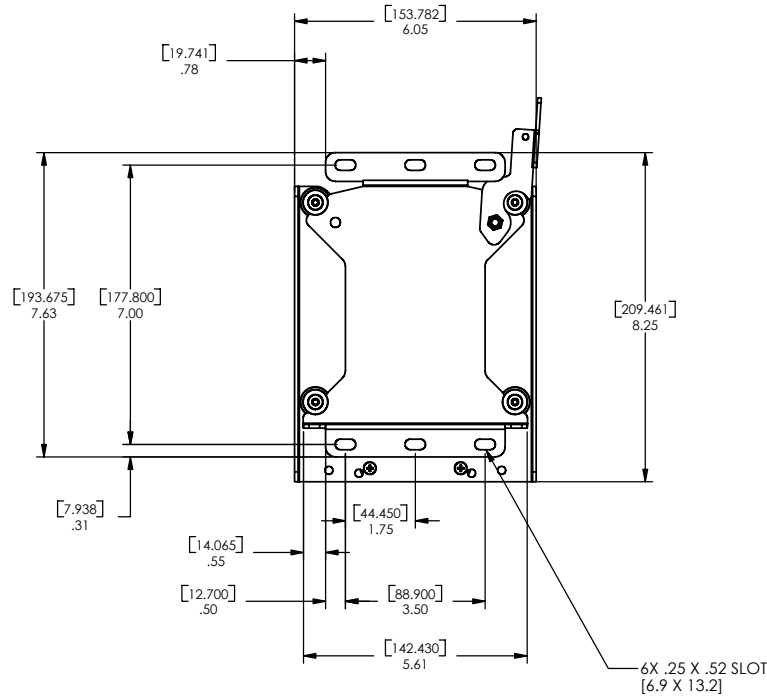
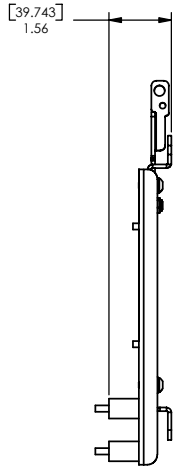
C

B

B

A

A



CHIEF MANUFACTURING INC.
ORDER NUMBER IS FSM-4210
PHONE: 1-800-582-6480

THE INFORMATION AND DESIGNS CONTAINED
 IN THIS DRAWING ARE CONFIDENTIAL AND THE
 PROPRIETARY PROPERTY OF CHIEF MFG., INC.
 NEITHER THIS DESIGN NOR ANY INFORMATION
 CONTAINED IN THIS DRAWING MAY BE
 REPRODUCED OR DISCLOSED TO OTHERS
 WITHOUT THE EXPRESS WRITTEN CONSENT OF
 CHIEF MFG., INC.

 CHIEF MANUFACTURING, INC. <small>12800 HWY 13 SOUTH STE. 500 • SAVAGE, MN. 55378 1.800.582.6480 • 16x 1.877.814.6918</small>	TITLE
	CUSTOMER PRINT STATIC FLAT SCREEN MOUNT FSM-4210
SIZE	DWG. NO.
B	FSM-4210

1 2 3 4 5 6 7 8