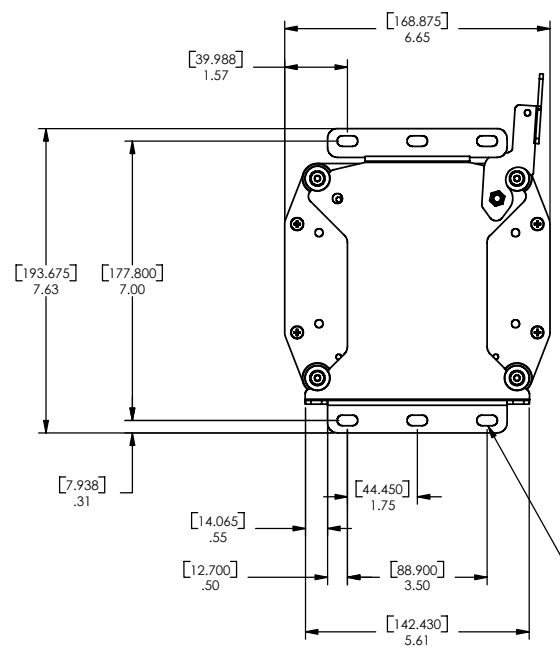
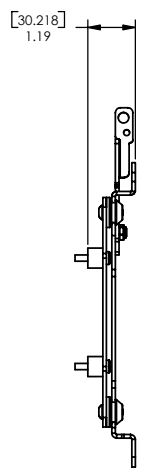


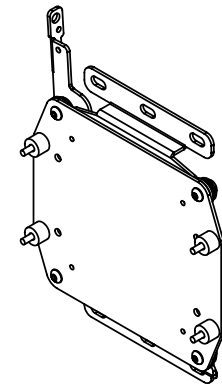
1 2 3 4 5 6 7 8

D
C
B
A

FSM-4217
D
C
B
A



6X .25 X .52 SLOT
[6.9 X 13.2]



CHIEF MANUFACTURING INC.
ORDER NUMBER IS FSM-4217
PHONE: 1-800-582-6480

THE INFORMATION AND DESIGNS CONTAINED
IN THIS DRAWING ARE CONFIDENTIAL AND THE
PROPRIETARY PROPERTY OF CHIEF MFG., INC.
NEITHER THIS DESIGN NOR ANY INFORMATION
CONTAINED IN THIS DRAWING MAY BE
REPRODUCED OR DISCLOSED TO OTHERS
WITHOUT THE EXPRESS WRITTEN CONSENT OF
CHIEF MFG., INC.



TITLE
**CUSTOMER PRINT
STATIC FLAT SCREEN MOUNT
FSM-4217**

SIZE DWG. NO.
B FSM-4217

1 2 3 4 5 6 7 8