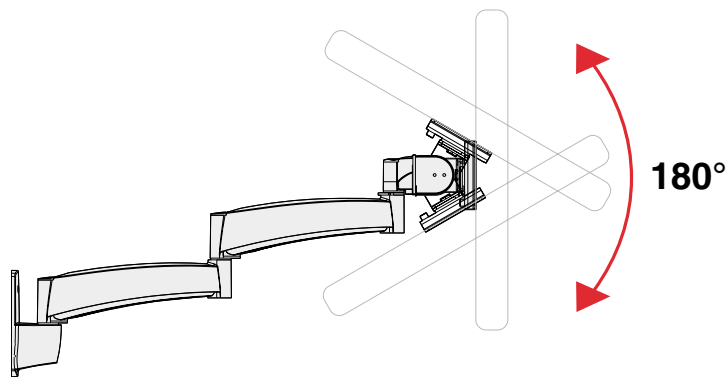


# SPECIFICATIONS

Part Number	Description	Weight Capacity	Net Weight	Shipping Weight
FSW-210	Dual Pivot Wall Mount	23 lbs (10kgs)	11 lbs (5kgs)	13.5 lbs (6kgs)

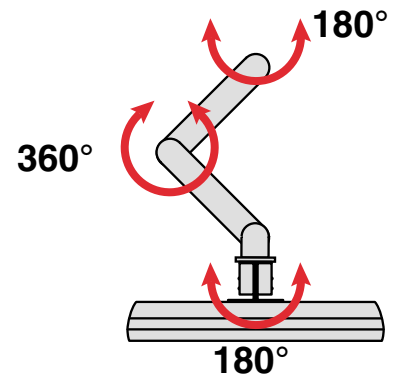
## RANGE OF MOTION

### Monitor Pivot - Range of Motion



Side View

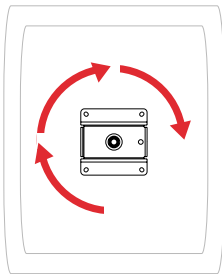
### Side-to-Side Rotation



Top View

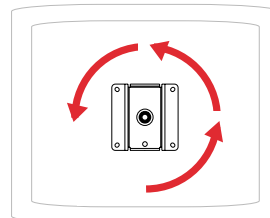
### Portrait/Landscape - Range of Motion

#### Portrait



Front View

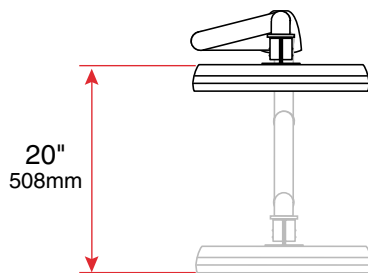
#### Landscape



Front View

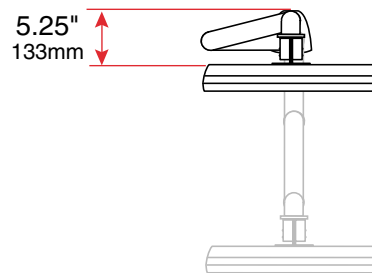
**+110° / -110°**  
 (or 360° with Anti-Rotation  
 Pin removed - refer to note  
 on page 9)

### Telescope Motion



Top View

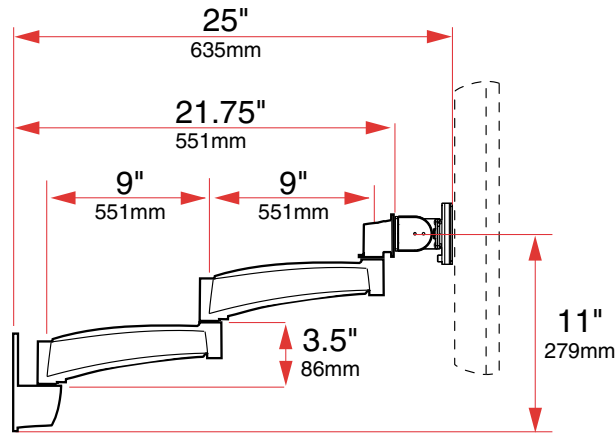
### Minimum Depth - Retracted



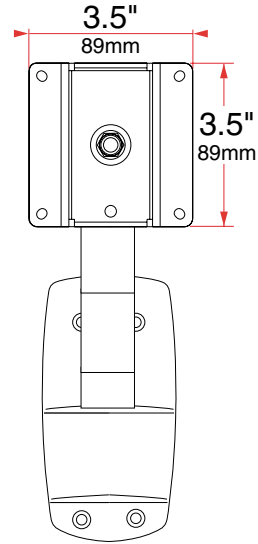
Top View

# DIMENSIONS

## Dual Pivot Wall Mount

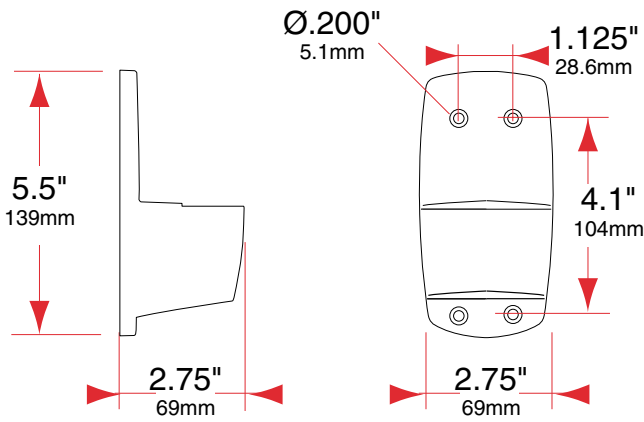


Side View



Front View

## Vertical Wall Bracket



Side View

Front View

## REPLACEMENT PARTS

Contact your Chief Representative for Details.



Chief Manufacturing Inc.  
12800 Hwy 13 S., Ste. 500  
Savage, MN 55378 USA

Phone: 1-800-582-6480  
Fax: 1-877-894-6918  
www.chiefmfg.com