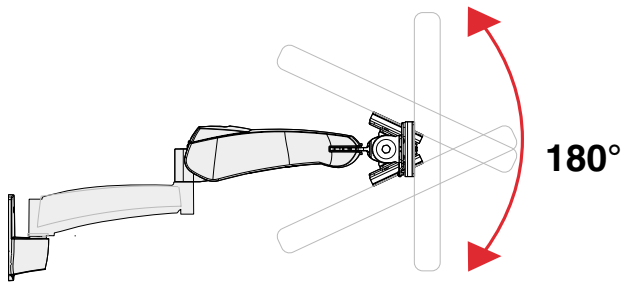


SPECIFICATIONS

Part Number	Description	Weight Capacity	Net Weight	Shipping Weight
FSW-310	Dual Pivot Wall Mount with Vertical Adjustment	23 lbs (10kgs)	15 lbs (6.8kgs)	16 lbs (7.3kgs)

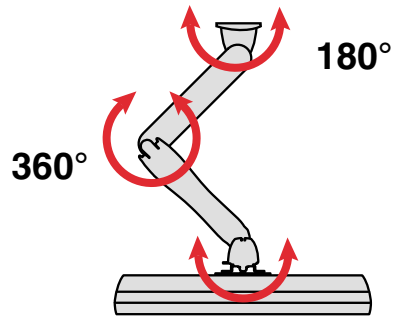
RANGE OF MOTION

Monitor Pivot - Range of Motion



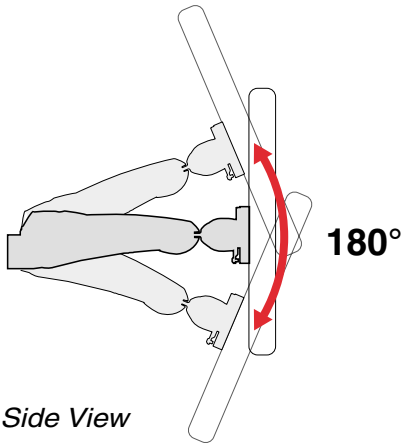
Side View

Side-to-Side Rotation



Top View 180°

Arm - Vertical Adjustment

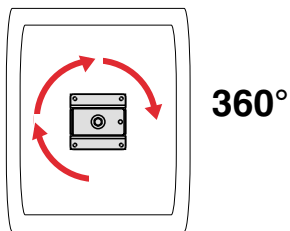


Side View

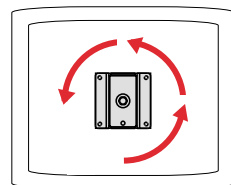
Portrait/Landscape - Range of Motion

Portrait

Landscape



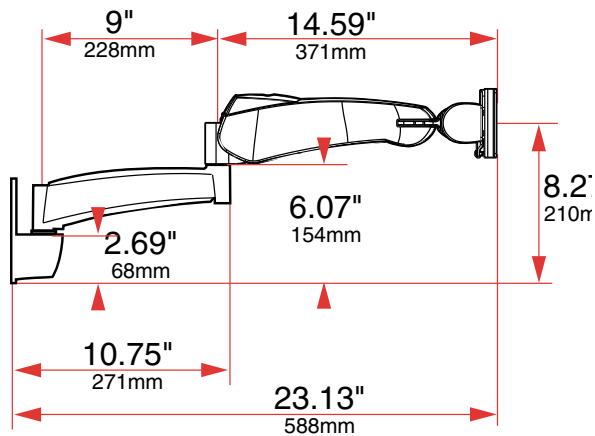
Front View



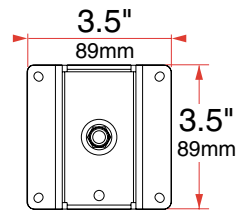
Front View

DIMENSIONS

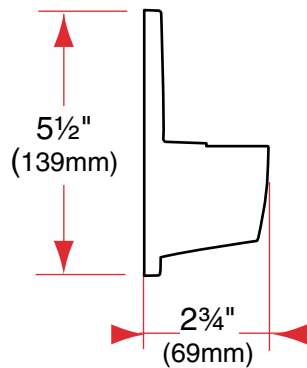
Dual Pivot Wall Mount



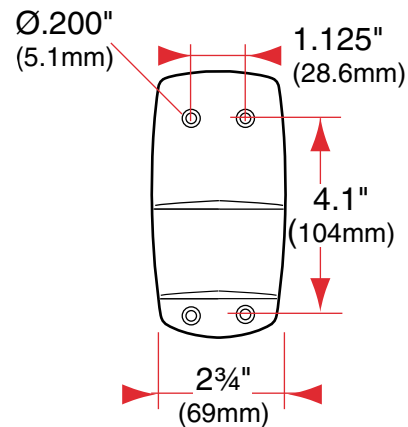
Monitor Pad



Vertical Mount Bracket



Vertical Mount Bracket



REPLACEMENT PARTS

Contact your Chief Representative for Details.



Chief Manufacturing Inc.
12800 Hwy 13 S., Ste. 500
Savage, MN 55378 USA

Phone: 1-800-582-6480
Fax: 1-877-894-6918
www.chiefmfg.com