

1 2 3 4 5 6 7 8

FTA-1014

D

D

C

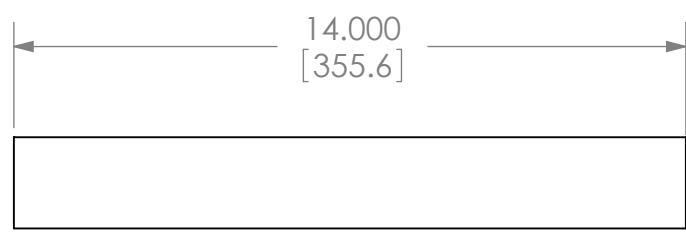
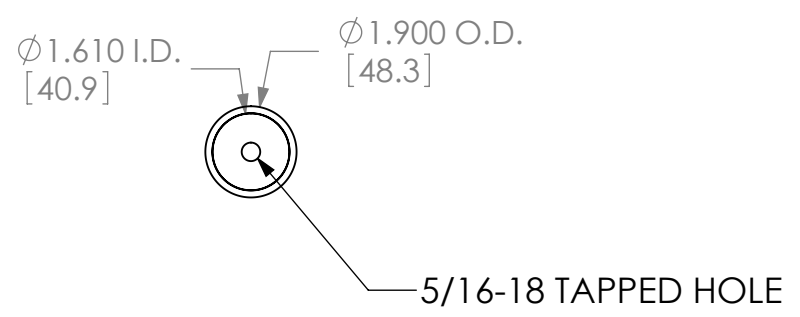
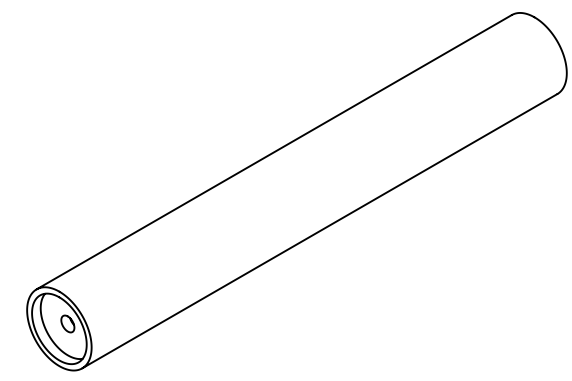
C

B

B

A

A



**CHIEF** CHIEF MANUFACTURING INC.  
 MOUNT ORDER NUMBER IS FTA-1014  
 PHONE: 1-800-582-6480

SHEET SCALE = 1:4

THE INFORMATION AND DESIGNS CONTAINED  
 IN THIS DRAWING ARE CONFIDENTIAL AND THE  
 PROPRIETARY PROPERTY OF CHIEF MFG., INC.  
 NEITHER THIS DESIGN NOR ANY INFORMATION  
 CONTAINED IN THIS DRAWING MAY BE  
 REPRODUCED OR DISCLOSED TO OTHERS  
 WITHOUT THE EXPRESS WRITTEN CONSENT OF  
 CHIEF MFG., INC.

**CHIEF** 8401 EAGLE CREEK PKY  
 SUITE #700  
 SAVAGE, MN 55378  
 PHONE: 952-894-6280  
 FAX: 877-894-6918

TITLE  
**CUSTOMER PRINT**  
**FTA-1014**

SIZE DWG. NO.  
**B FTA-1014**

1 2 3 4 5 6 7 8